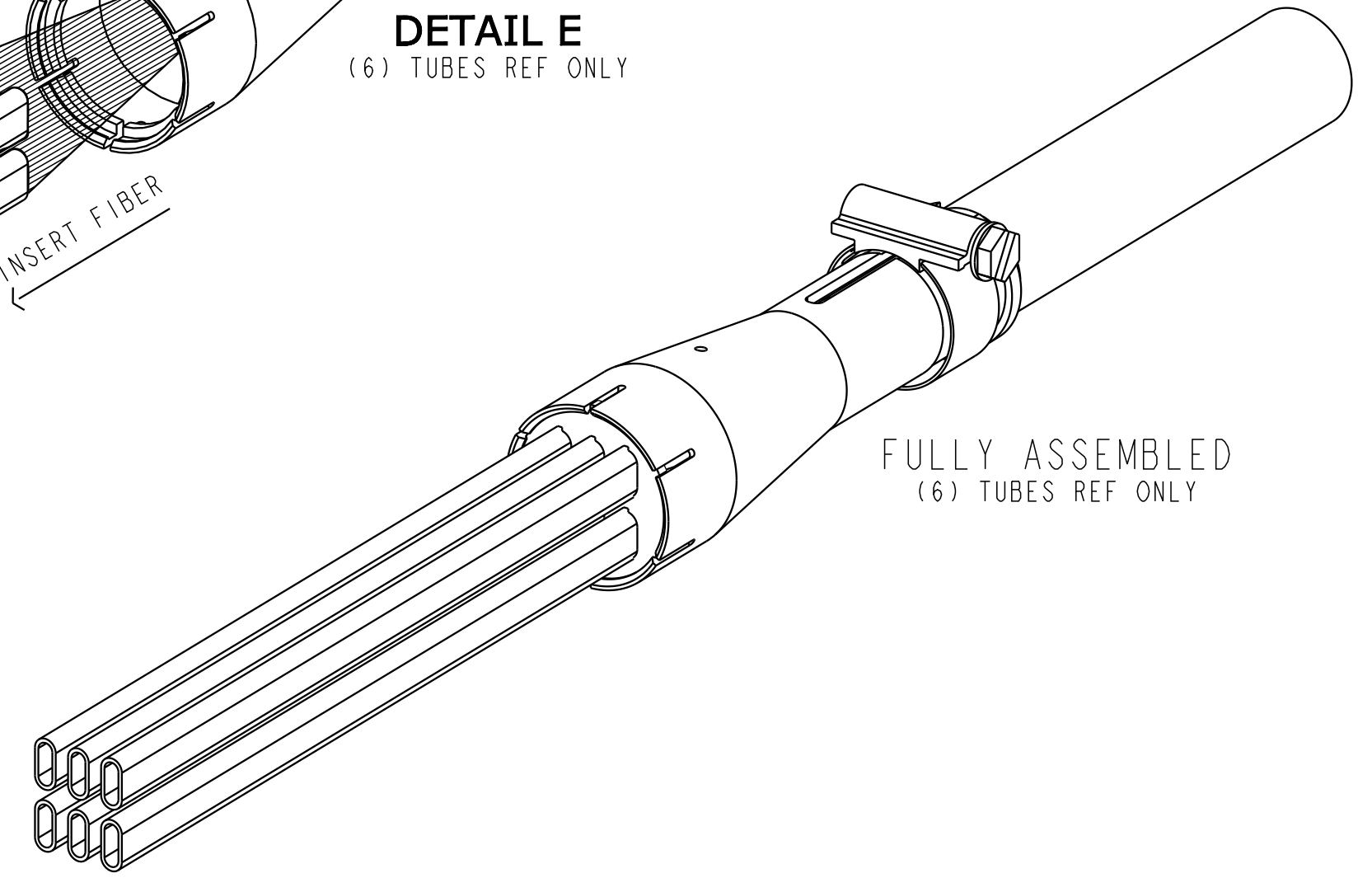
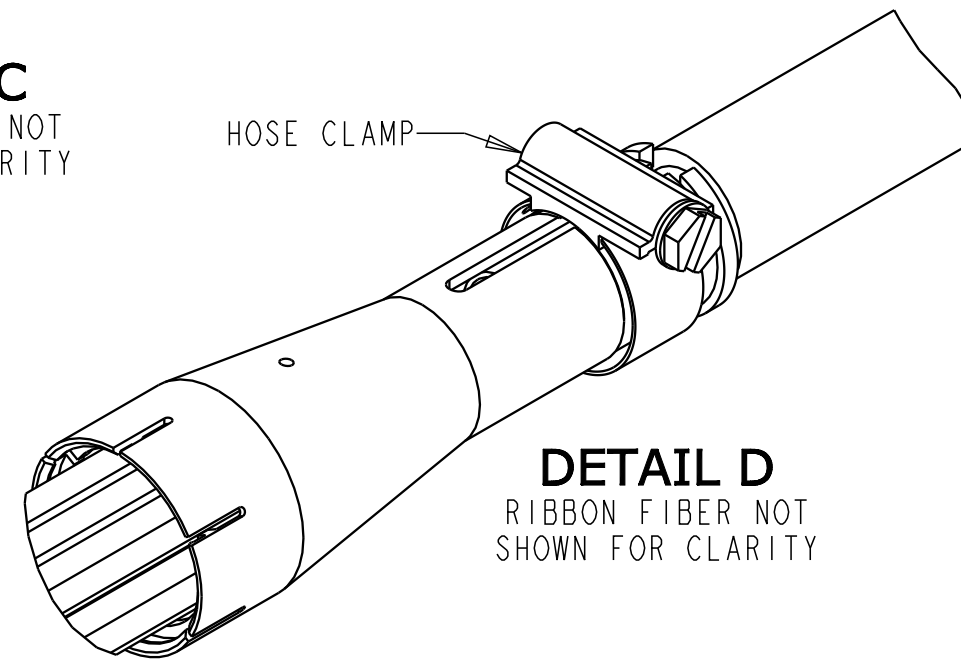
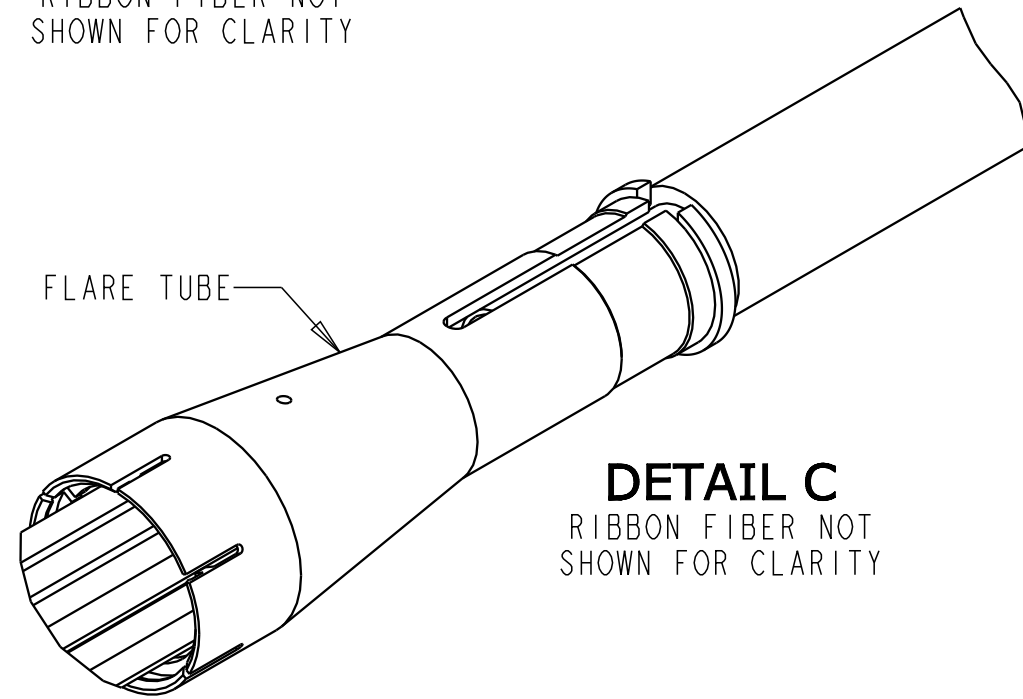
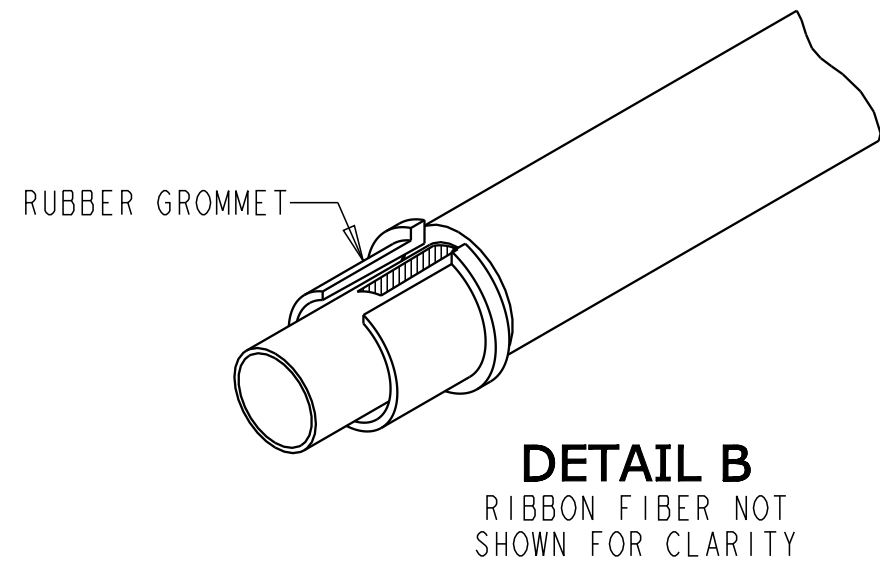
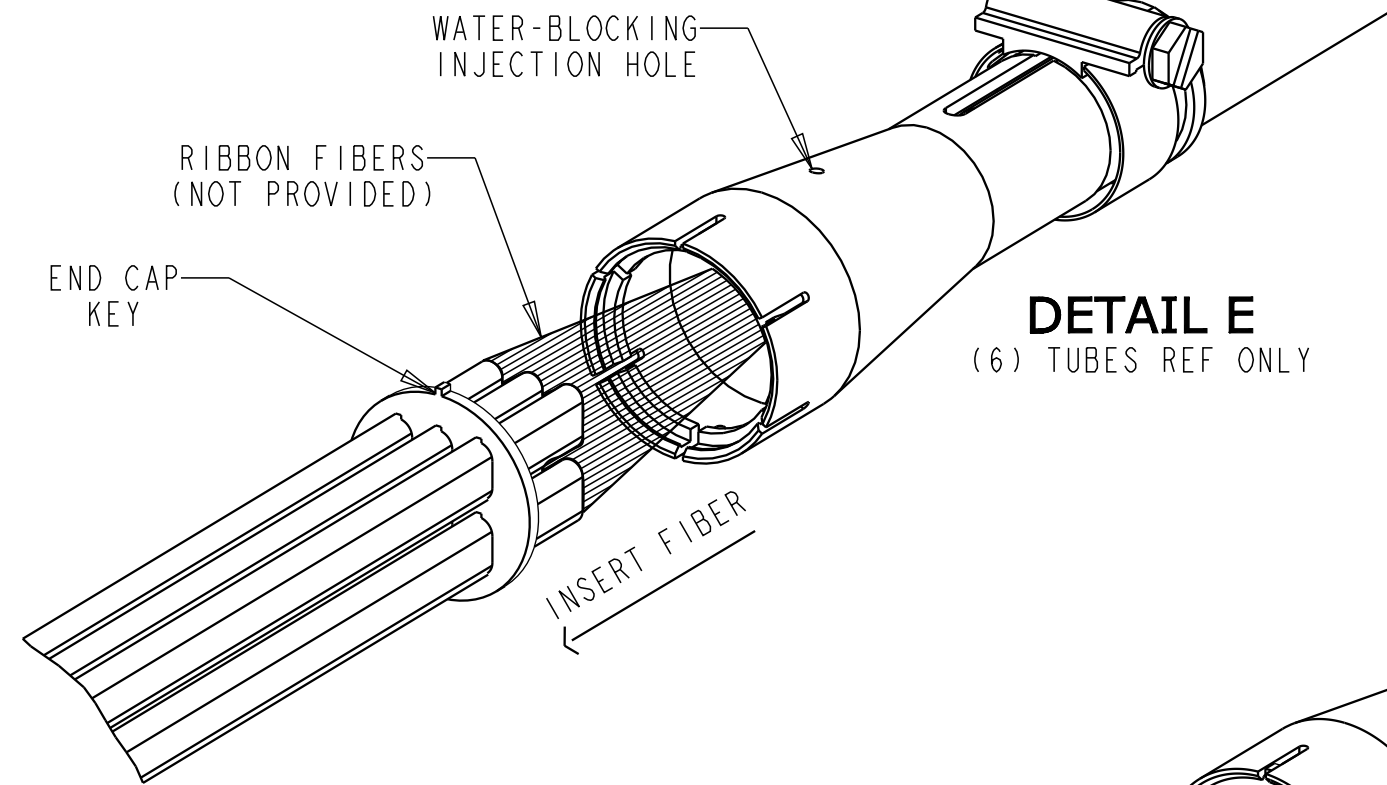
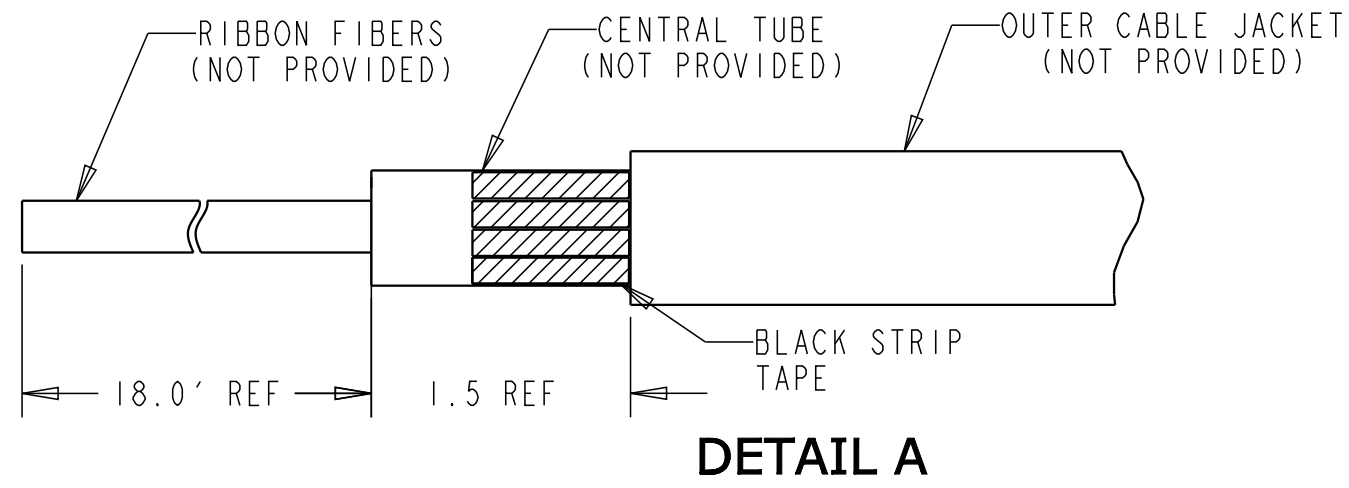


REV	MCO	DWN	DATE
K	40019702MCO	LLBV	09-FEB-15
L	40032679MCO	IAV	03-AUG-16



INSTALLATION INSTRUCTIONS:

1. STRIP OUTER CABLE JACKET TO EXPOSE INNER CENTRAL TUBE 1.5" MIN. TRIM STRENGTH MEMBERS FLUSH WITH OUTER CABLE JACKET SEE DETAIL A.
2. *IMPORTANT* CLEAN RESIDUE FROM OUTSIDE OF CENTRAL TUBE. THIS WILL PREVENT SLIPPAGE WHEN FLARE TUBE IS ATTACHED. SEE DETAIL A.
3. SELECT THE THICKEST RUBBER GROMMET (SUPPLIED) THAT WILL FIT BETWEEN CENTRAL TUBE AND FLARE TUBE. THIS SNUG FIT IS CRITICAL WHEN ATTACHING FLARE TUBE TO CENTRAL TUBE. SEE DETAIL B.
4. CAREFULLY INSERT CENTRAL TUBE INTO FLARE TUBE (PROVIDED) 1.5" MAX. ALIGN GROMMET WITH END OF FLARE TUBE. SEE DETAIL C.
5. PLACE HOSE CLAMP (PROVIDED) OVER FLARE TUBE AND TIGHTEN WITH SCREWDRIVER. SEE DETAIL D FOR CLAMP POSITION. USE CAUTION DO NOT OVER TIGHTEN.
6. NOTE RIBBON UNITS MUST BE FREE OF MOISTURE BLOCKING GEL. THOROUGHLY CLEAN EACH RIBBON FIBER (DO NOT USE ALCOHOL PACKETS PROVIDED) USE ALCOHOL WIPE (1) PER PROTECTIVE TUBE TO LUBRICATE THE TOP AND BOTTOM RIBBON FIBERS, INSERT UP TO (6) 24-FIBER RIBBONS INTO EACH PROTECTIVE TUBE. SEE DETAIL E.
7. AFTER INSERTING ALL RIBBON FIBERS INTO PROTECTIVE TUBES CAREFULLY ALIGN END CAP KEY INTO FLARE TUBE AND SNAP INTO PLACE (THIS MAY REQUIRE ANOTHER PERSON). NOTE CARE MUST BE TAKEN TO ENSURE RIBBON UNITS ARE NOT TWISTED OR BENT. END CAP WILL NOT ROTATE AFTER SNAPPED INTO POSITION. SEE DETAIL E.

BLK-RCT-B05D0	1 EACH	1 EACH	3 EACH	1 EACH	1 EACH	5 PACKETS	NONE
BLK-RCT-A04C0	1 EACH	1 EACH	1 EACH	1 EACH	1 EACH	4 PACKETS	NONE
BLK-RCT-A04D0	1 EACH	1 EACH	1 EACH	1 EACH	1 EACH	4 PACKETS	NONE
BLK-RCT-A04B0	1 EACH	1 EACH	1 EACH	1 EACH	1 EACH	4 PACKETS	NONE
BLK-RCT-B04D0	1 EACH	1 EACH	1 EACH	1 EACH	1 EACH	4 PACKETS	NONE
BLK-RCT-B06DC	1 EACH	1 EACH	3 EACH	1 EACH	1 EACH	6 PACKETS	1 EACH
BLK-RCT-B06E0	1 EACH	1 EACH	1 EACH	1 EACH	1 EACH	6 PACKETS	NONE
BLK-RCT-B06D0	1 EACH	1 EACH	3 EACH	1 EACH	1 EACH	6 PACKETS	NONE
CATALOG NUMBER	FLARE TUBE	END CAP W/ TUBES	GROMMET	HOSE CLAMP	WATER BLOCKING KIT	ALCOHOL WIPES	CUTTING TOOL

COMMSCOPE, INC.

© 2016 COMMSCOPE, INC. CONFIDENTIAL NOTICE: THESE DRAWINGS AND SPECIFICATIONS ARE THE PROPRIETARY PROPERTY OF COMMSCOPE, INC. AND MAY BE USED ONLY FOR THE SPECIFIC PURPOSE AUTHORIZED IN WRITING BY COMMSCOPE, INC.		TITLE OSP RIBBON BLOCKING INSTALLATION DWG	
ALL DIMS AND TOLERANCES ARE INCHES UNLESS OTHERWISE SPECIFIED	.XX:±N/A .XXX:±N/A ANGULAR:±N/A	C SIZE DRAWING NUMBER 1142478_ADC	L REV
DO NOT SCALE DRAWING	ENGR: SCOTT KOWALCZYK DWN: S. KOWALCZYK	SHT. 1 OF 1	

DIMENSIONS IN INCHES
THIRD ANGLE PROJECTION