

4

3

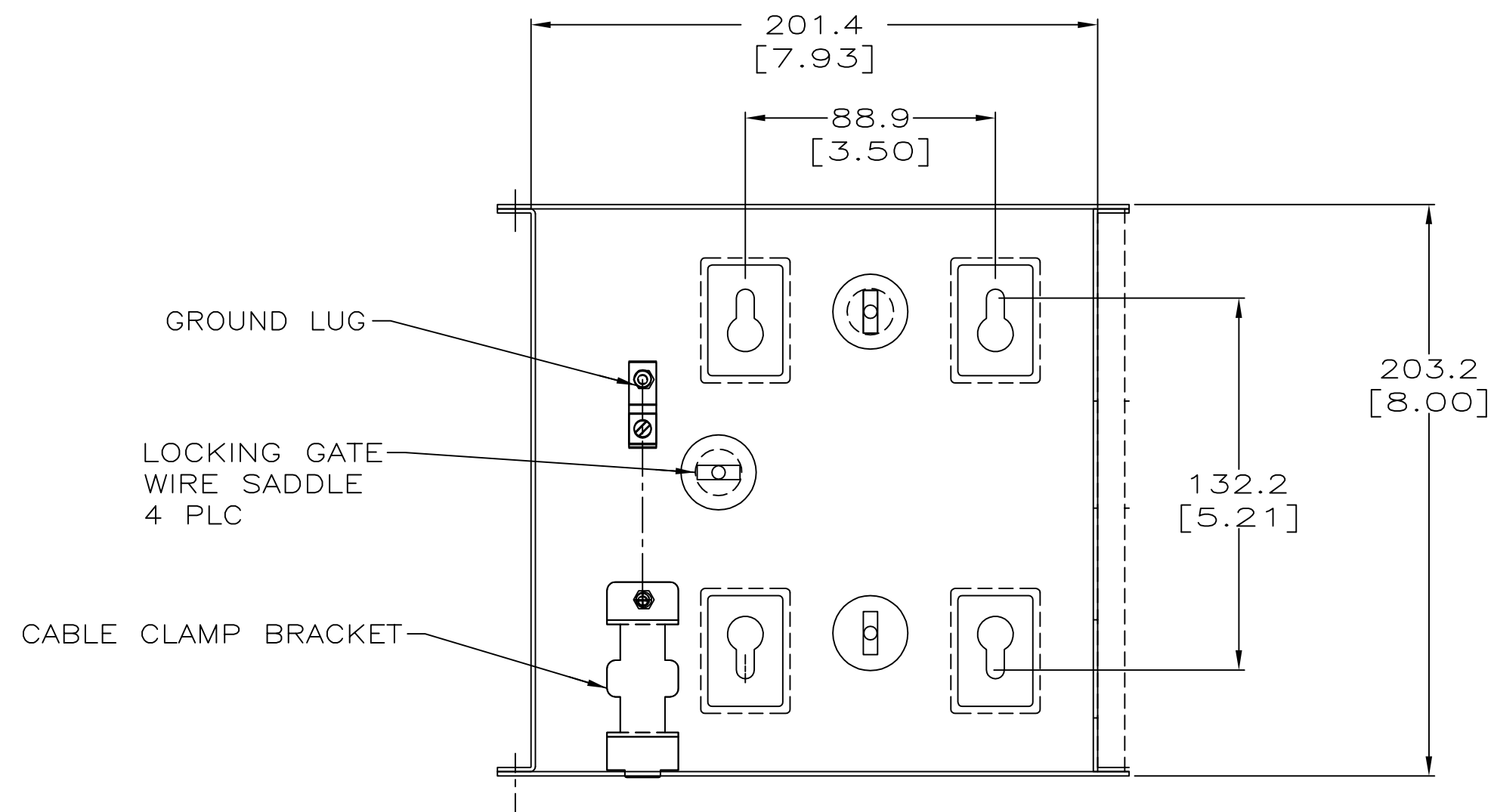
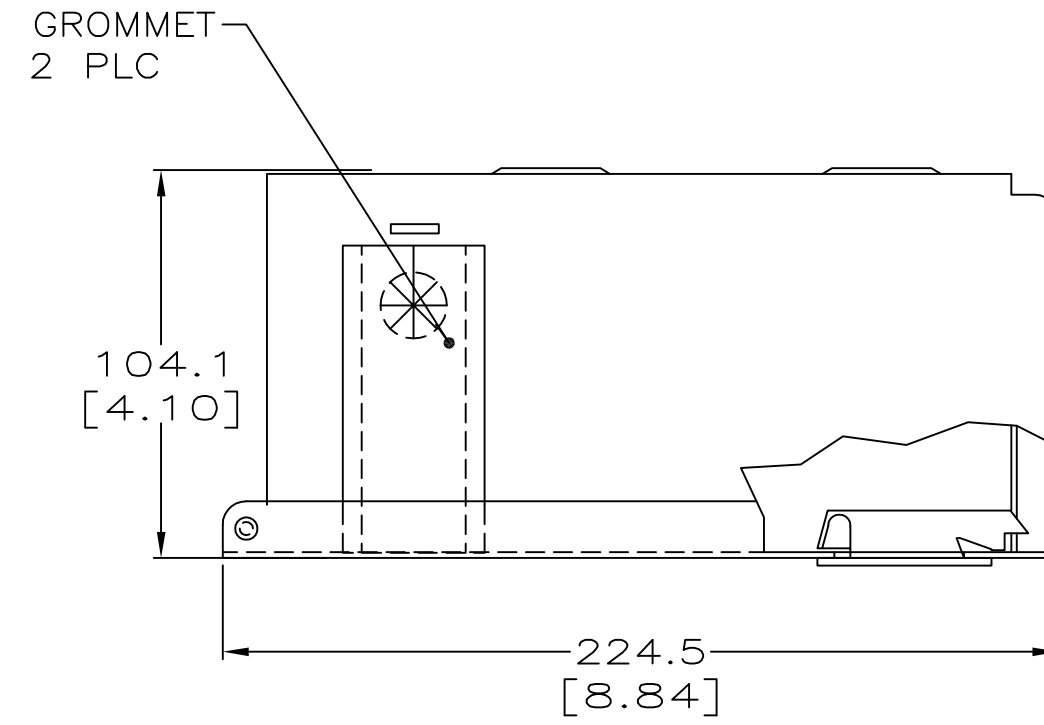
2

1

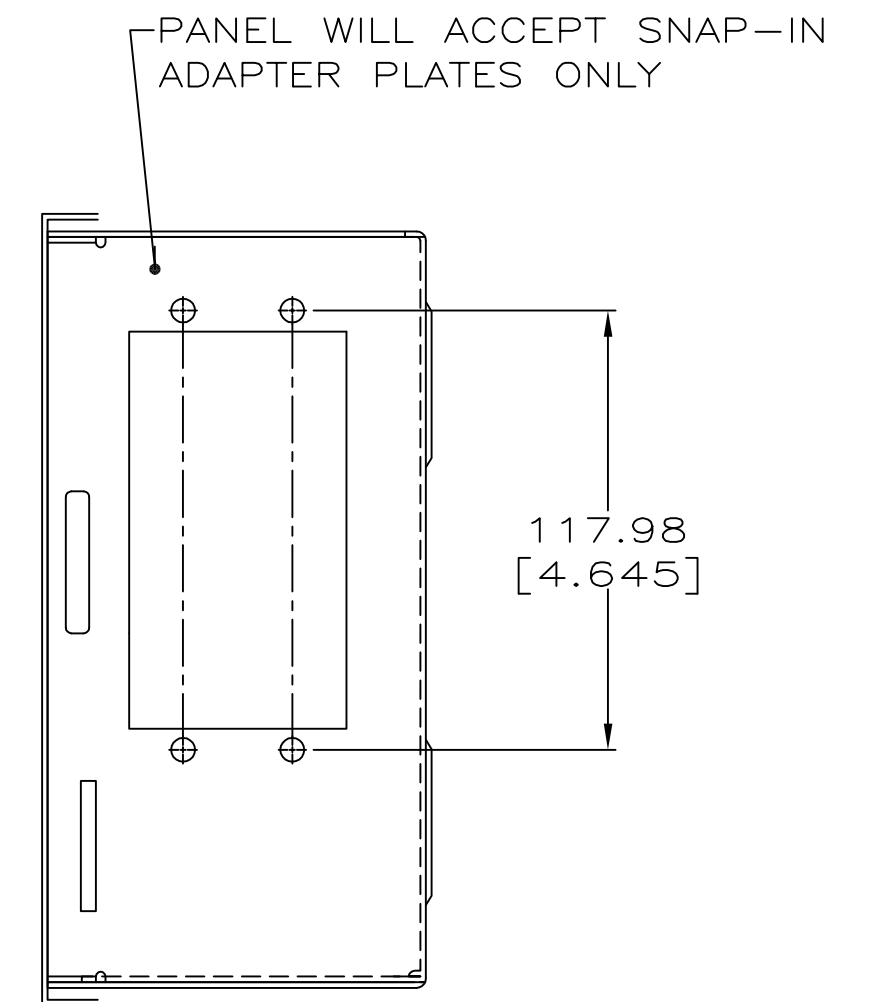
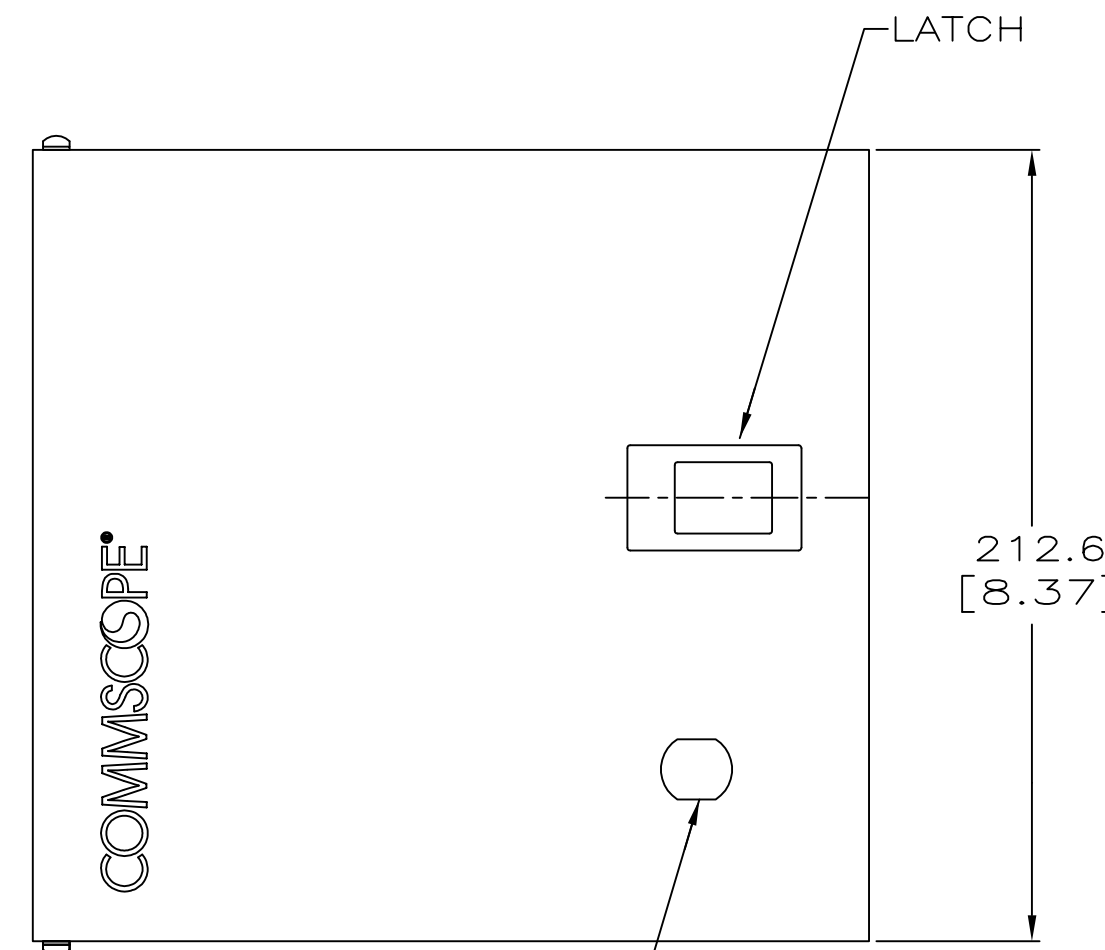
THIS DRAWING IS UNPUBLISHED. RELEASED FOR PUBLICATION

© 2016 Commscope, INC. Confidential NOTICE: These drawings and specifications are the proprietary property of COMMSCOPE, INC. and may be used only for the specific purpose authorized in writing by COMMSCOPE, INC.

REVISIONS					
P	LTR	DESCRIPTION	DATE	DWN	APVD
	E	REV; 40032316MCO	20JUL16	GG	TE



DOORS NOT SHOWN IN THIS VIEW



- THE FOLLOWING LABELS ARE BAGGED AND PLACED INSIDE THE ENCLOSURE
 - 2 DANGER LABELS
 - 2 12-LINE "FIBER PATCH PORTS" LABELS
- FOUR SCREWS ARE PROVIDED FOR MOUNTING ENCLOSURE

OBSELETE	BLACK ENAMEL PAINT	1278323-2
	LT ALMOND ENAMEL PAINT	1278323-1
	FINISH	PART NO

THIS DRAWING IS A CONTROLLED DOCUMENT.		DWN	JW DAVIS	9-1-98
DIMENSIONS: MM [INCHES]		CHK	M WOOD	9-1-98
TOLERANCES UNLESS OTHERWISE SPECIFIED:		APVD	S BUCHTER	9-1-98
0 PLC ± -		PRODUCT SPEC		
1 PLC ± -		APPLICATION SPEC		
2 PLC ± 1.0[.04]		WEIGHT		
3 PLC ± -		CUSTOMER DRAWING		
4 PLC ± -		SCALE		
ANGLES ± -		SHEET		
FINISH -		1 of 1		
MATERIAL STEEL		REV E		

NAME		ENCLOSURE, WALL MOUNT SINGLE DOOR, 12 PORT	
SIZE	CAGE CODE	DRAWING NO	RESTRICTED TO
A2	00779	C=1278323	-