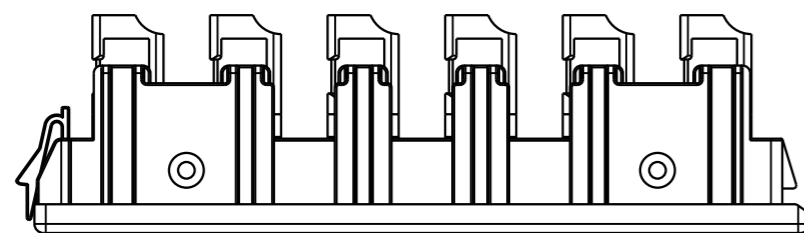
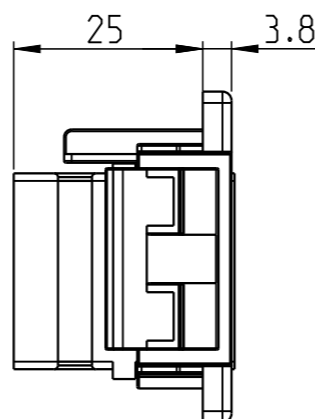
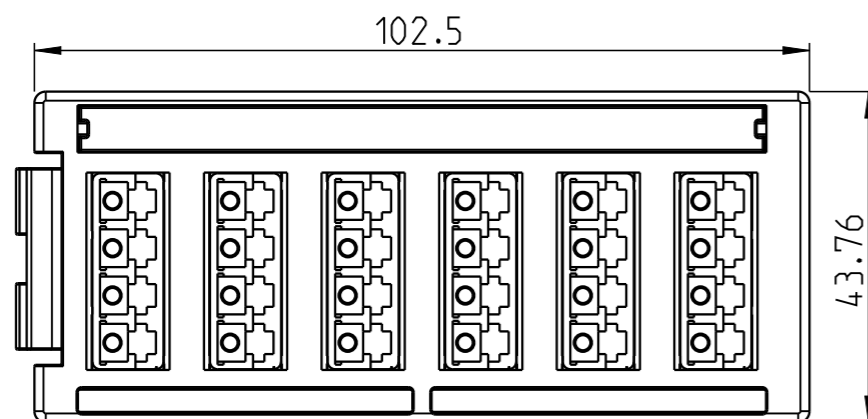
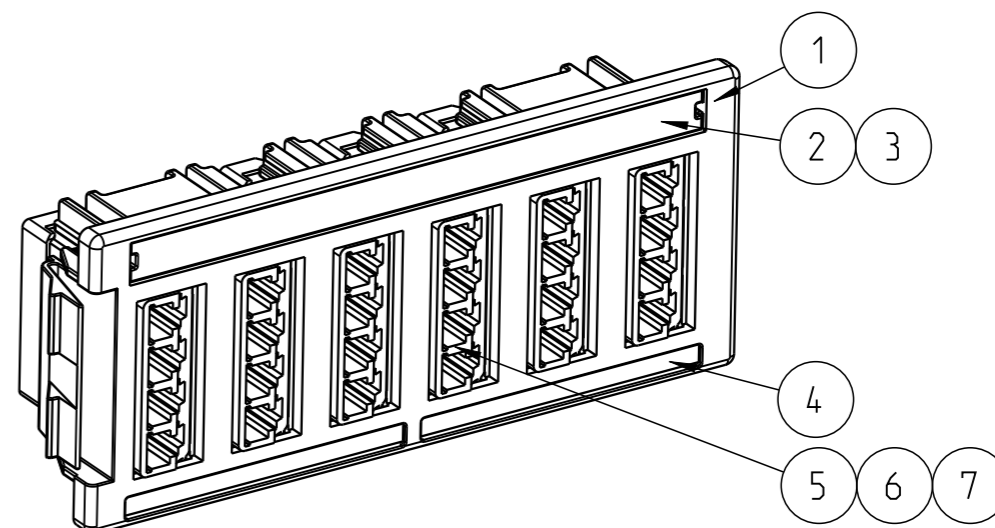
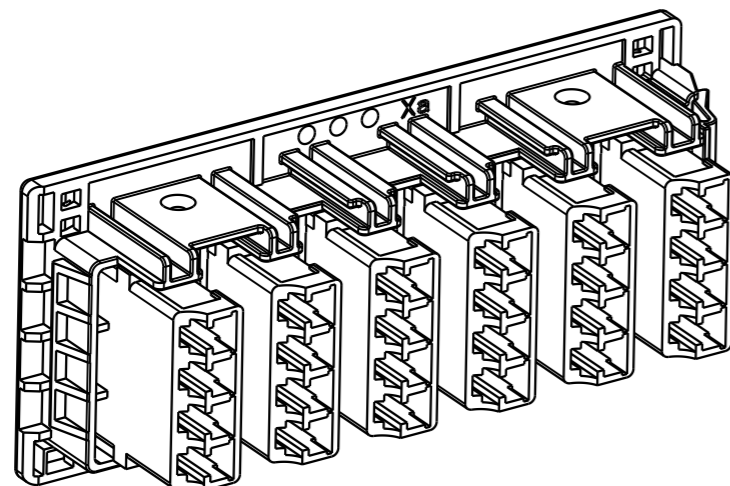


THIS DRAWING IS UNPUBLISHED. RELEASED FOR PUBLICATION

© 2016 COMMSCOPE, INC. CONFIDENTIAL NOTICE: THESE DRAWINGS AND SPECIFICATIONS ARE THE PROPRIETARY PROPERTY OF COMMSCOPE, INC. AND MAY BE USED ONLY FOR THE SPECIFIC PURPOSE AUTHORIZED IN WRITING BY COMMSCOPE, INC.

REVISIONS					
P	LTR	DESCRIPTION	DATE	DWN	APVD
B		Initial release customer drawing	19JUL2010	RV	RV
B3		PN added on drawing	03APR2012	HB	DT
C		ECN 8000017762 - REBRANDING	01DEC2016	OV	LS



Items 2 and 3 not assembled

6	-	-	-	Foac Adapter LC/APC Green Quad Flangeless	8
-	6	-	-	Foac Adapter LC/PC Aqua Quad Flangeless	7
-	-	6	-	Foac Adapter LC/PC Beige Quad Flangeless	6
-	-	-	6	Foac Adapter LC/PC Blue Quad Flangeless	5
1	1	1	1	Label, Port ID, Blank	4
1	1	1	1	Label Cover SC Duplex / LC Quad	3
1	1	1	1	Label Sheet Interface Housing 6mm	2
1	1	1	1	Interface Housing SC Duplex / LC Quad	1
0--4	0--3	0--2	0--1	DESCRIPTION	ITEM

THIS DRAWING IS A CONTROLLED DOCUMENT.		DWN R.VANDOREN 03DEC2009	COMMSCOPE, INC.		
DIMENSIONS: mm		CHK H.BLEUS 03DEC2009			
TOLERANCES UNLESS OTHERWISE SPECIFIED:		APVD D.THUS 03DEC2009	NAME Quick-Fit Module 6XLC-Quad		
0 PLC ±SEE TABLE		PRODUCT SPEC	SIZE		
1 PLC ±SEE TABLE		-	CAGE CODE		
2 PLC ±SEE TABLE		APPLICATION SPEC	DRAWING NO		
3 PLC ±SEE TABLE		-	RESTRICTED TO		
4 PLC ±SEE TABLE		WEIGHT	A3 - C-1671202		
ANGLES ±SEE TABLE		-	SCALE 1:1		
FINISH -		-	SHEET 1 OF 1		
MATERIAL -		CUSTOMER DRAWING	REV C		