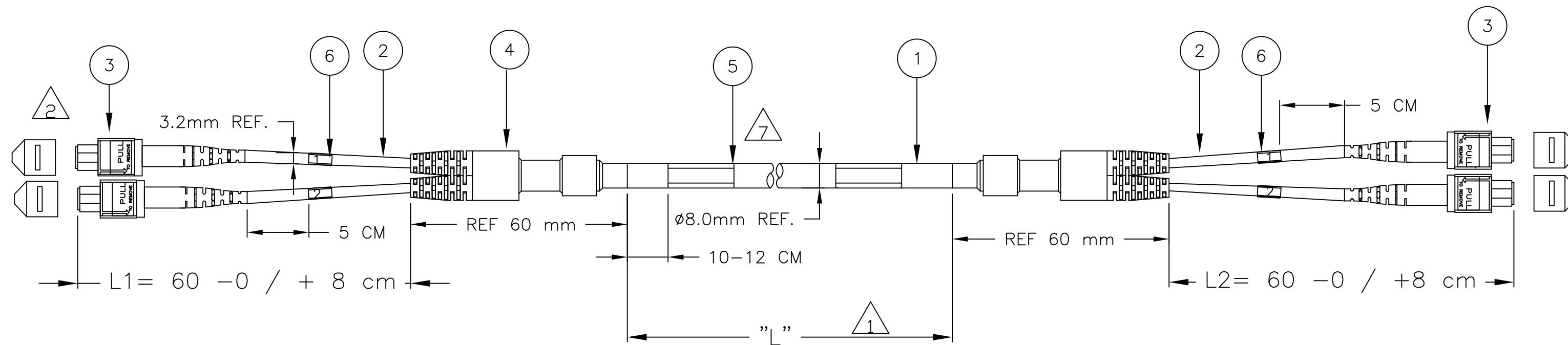


THIS DRAWING IS UNPUBLISHED. RELEASED FOR PUBLICATION  
 © 2016 Commscope, INC. Confidential NOTICE: These drawings and specifications are the proprietary property of COMMSCOPE, INC. and may be used only for the specific purpose authorized in writing by COMMSCOPE, INC.

REVISIONS					
P	LTR	DESCRIPTION	DATE	DWN	APVD
A		INITIAL RELEASE	19JUL2010	TvdM	MO
B		ECN 8000018219 REBRANDING	21012017	RCR	SC



NOTES:

- 1 TOLERANCE LENGTH "L" ACC. TO CUSTOMER DRAWING 2055705
- 2 MARKING ON CONNECTOR HOUSING INDICATES FIBER 1 SIDE
- 3 FIBER PATH A-A / B-B STRAIGHT
- 4 ATTENUATION ≤ 0,5 dB MEASURED AT 850 nm ACC. IEC 61300-3-4 METHOD B WITH MODAL CONDITION ACC. IS 14763-3, OFSTP-14, IEC 61280-4 + CABLE LOSS FOR LENGTHS > 10 METER ACC. TO CUSTOMER DRAWING 2055703
- 5 RETURN LOSS ≥ 25 dB MEASURED IN MATED CONDITION AGAINST REF. CONNECTOR AT 850 nm.
- 6 TEST RESULT SHEET WITH EACH INDIVIDUALLY PACKED ASSEMBLY
- 7 INFORMATION ON LABEL:  
 BARCODE  
 PART NUMBER & FACTORY ORDER NUMBER  
 CABLE LENGTH ("L")  
 UNIQUE SERIAL NUMBER
- 8 PACKAGING:  
 - ASSEMBLIES FROM 2 METER UP TO 50 METER WILL BE PACKED IN A CARTON BOX.  
 - ASSEMBLIES > 50 METER WILL BE DELIVERED ON A REEL.
- 9 CABLE INFORMATION:  
 - CORE DIAMETER: 50/125 μm.  
 - OUTER CABLE DIAMETER: 8.0 mm.  
 - OUTER CABLE COLOR: AQUA.  
 - OUTER CABLE MATERIAL: LSZH ( LOW SMOKE ZERO HALOGEN).  
 - CABLE LOSS 3.0 dB/ km AT 850 nm.
- 10 ASSEMBLIES FROM 100 METER UP TO 500 METER ACC. TO CUSTOMER DRAWING 2055710.
- 11 CONNECTORS AND TAIL PROTECTION BY A SOFT PLASTIC SLEEVE ( PULL ON THIS SLEEVE IS NOT ALLOWED).
- 12 INFORMATION ABOUT A PULL AND PROTECTION KIT ASK YOUR LOCAL SALES REPRESENTATIVE.



FIBER PATH STRAIGHT A-A / B-B		
MPO		MPO
1	←→	1
2	←→	2
3	←→	3
4	←→	4
5	←→	5
6	←→	6
7	←→	7
8	←→	8
9	←→	9
10	←→	10
11	←→	11
12	←→	12

1	TRUNK LENGTH "L" CABLE LENGTH FROM 2 METER UP TO 99 METER SEE CUSTOMER DRAWING PART NUMBER X-2055709-Y DRAWING 2055705
---	--

Qty	Description	Item
4	DAT-85 LABEL NUMBER INDICATION	6
2	DAT-35 LABEL	5
2	FOAC FAN-OUT	4
4	MPO CONNECTORS	3
L1/ L2	FURCATION TUBE ROUND, AQUA	2
AR	FOCAB 24F MM50 OM3 AQUA LSZH	1

THIS DRAWING IS A CONTROLLED DOCUMENT.		DWN T.vd MEULEN 19JUL2010	<b>COMMSCOPE, INC.</b>	
DIMENSIONS: mm		CHK M.OPPERS 19JUL2010		
TOLERANCES UNLESS OTHERWISE SPECIFIED:		APVD T.vd MEULEN 19JUL2010	NAME FOTRK MM OM3 LEAD 24 FOLD MPO - MPO FEM STRAIGHT	
0 PLC ± -		PRODUCT SPEC	SIZE A2	
1 PLC ± -		APPLICATION SPEC	DRAWING NO C=2055709	
2 PLC ± -		WEIGHT	RESTRICTED TO	
3 PLC ± -		SCALE	SHEET 1 of 1	
4 PLC ± -		CUSTOMER DRAWING	REV B	
ANGLES ± -				
FINISH				

2055709

A