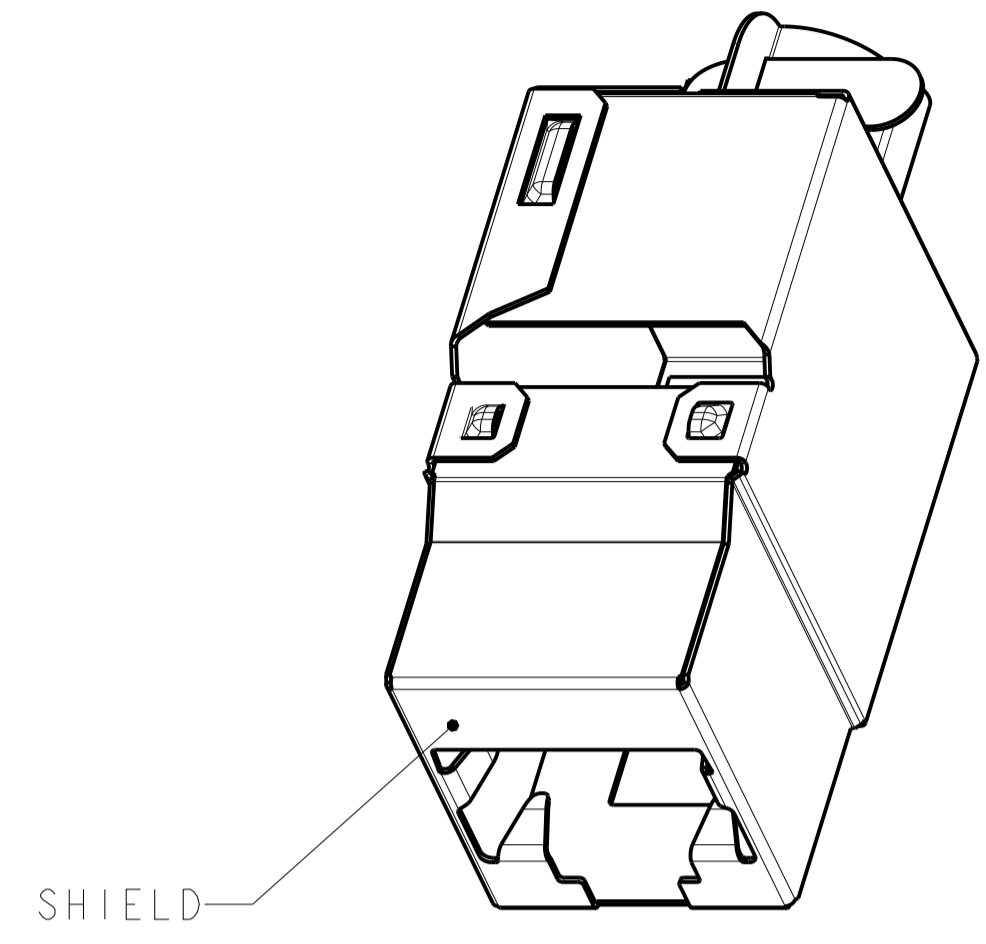
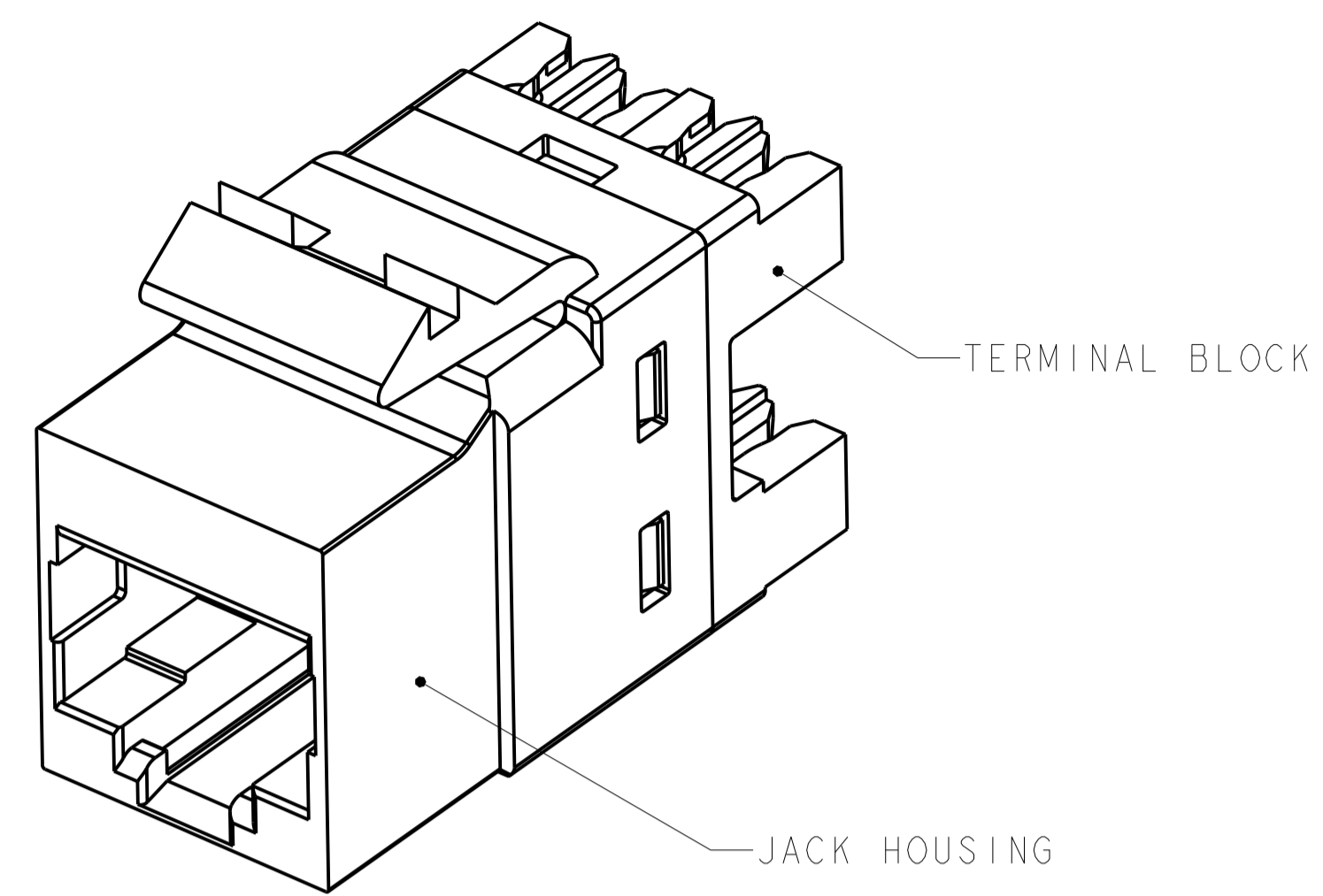
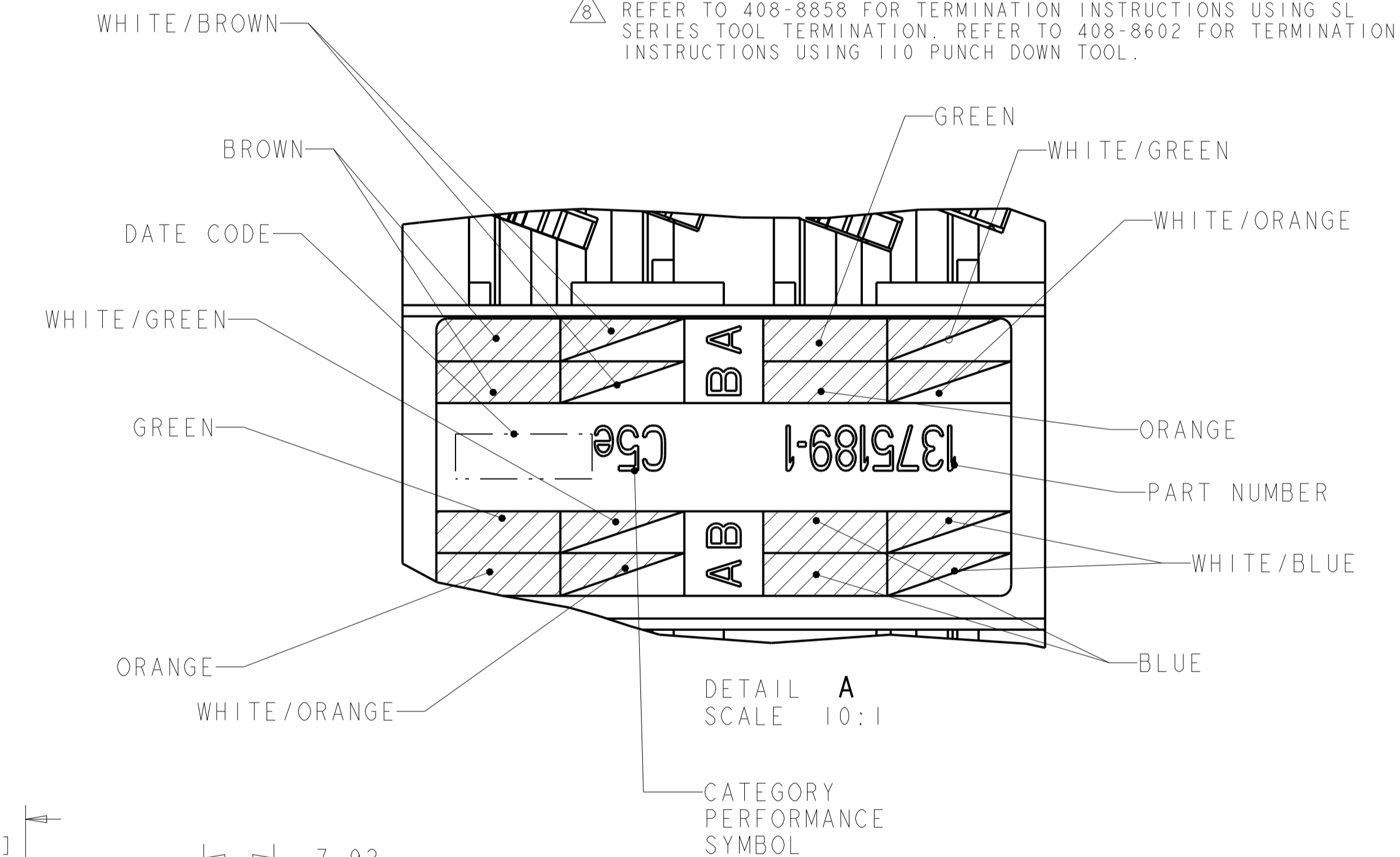
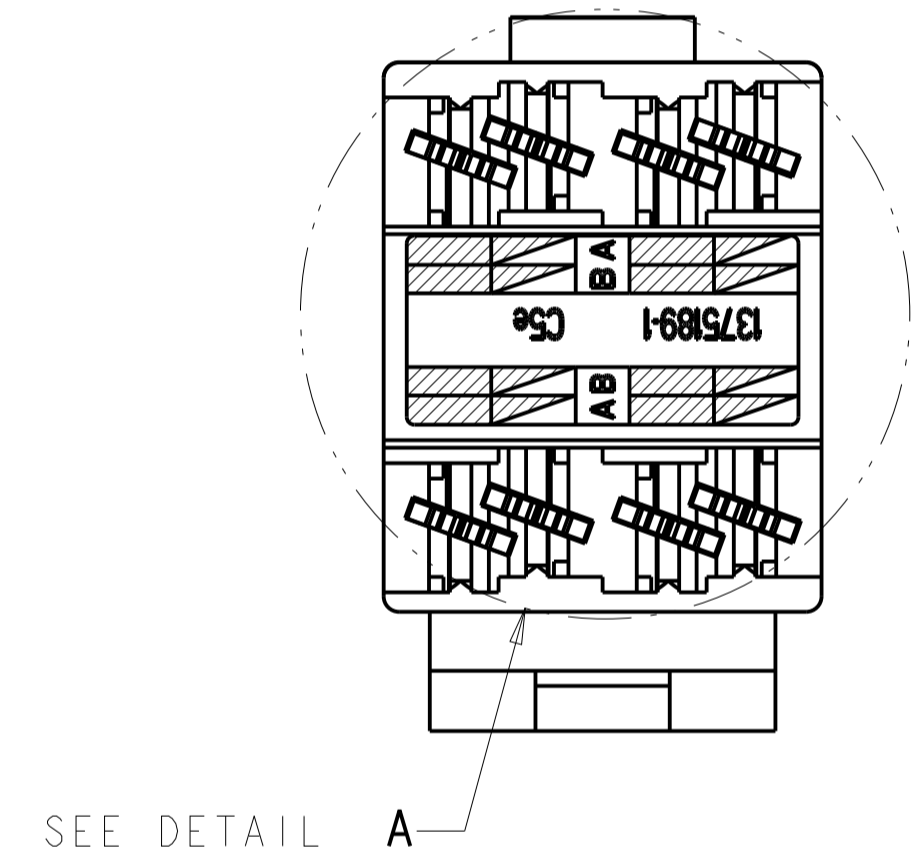
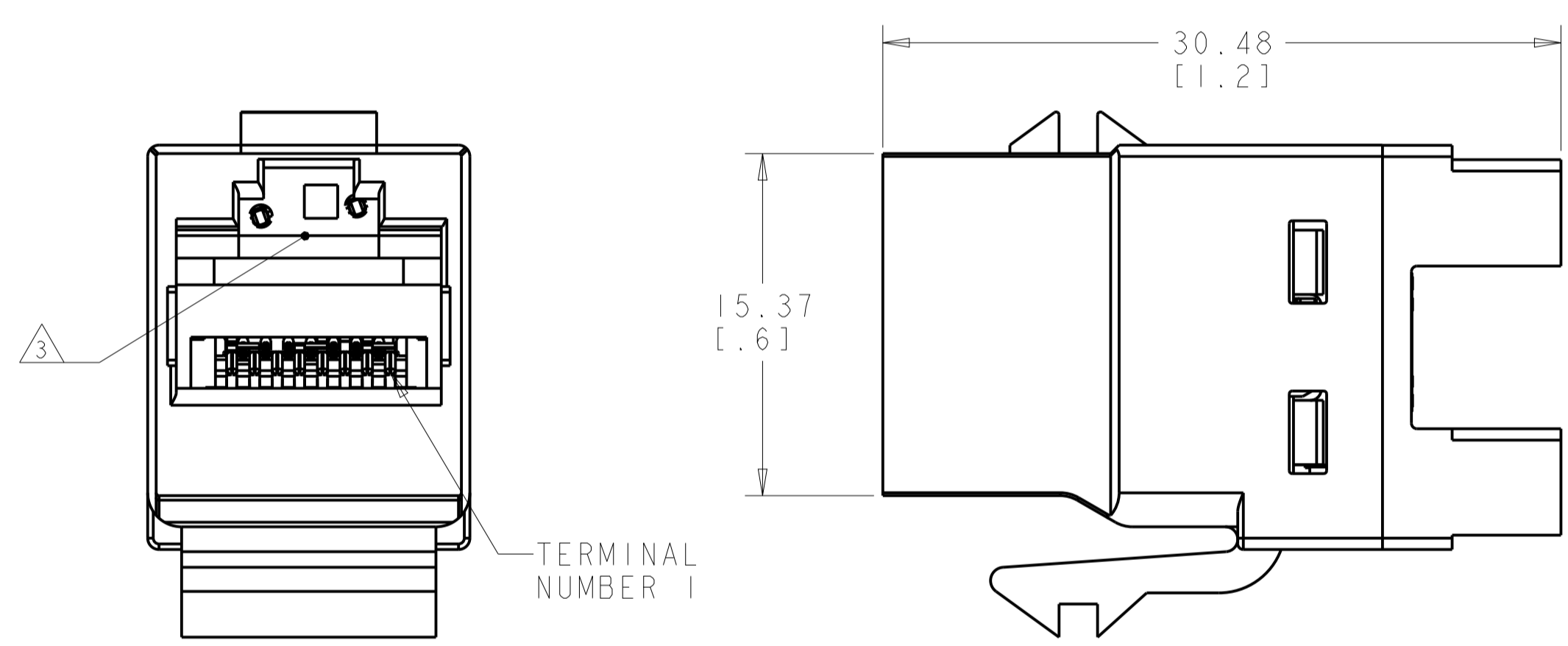


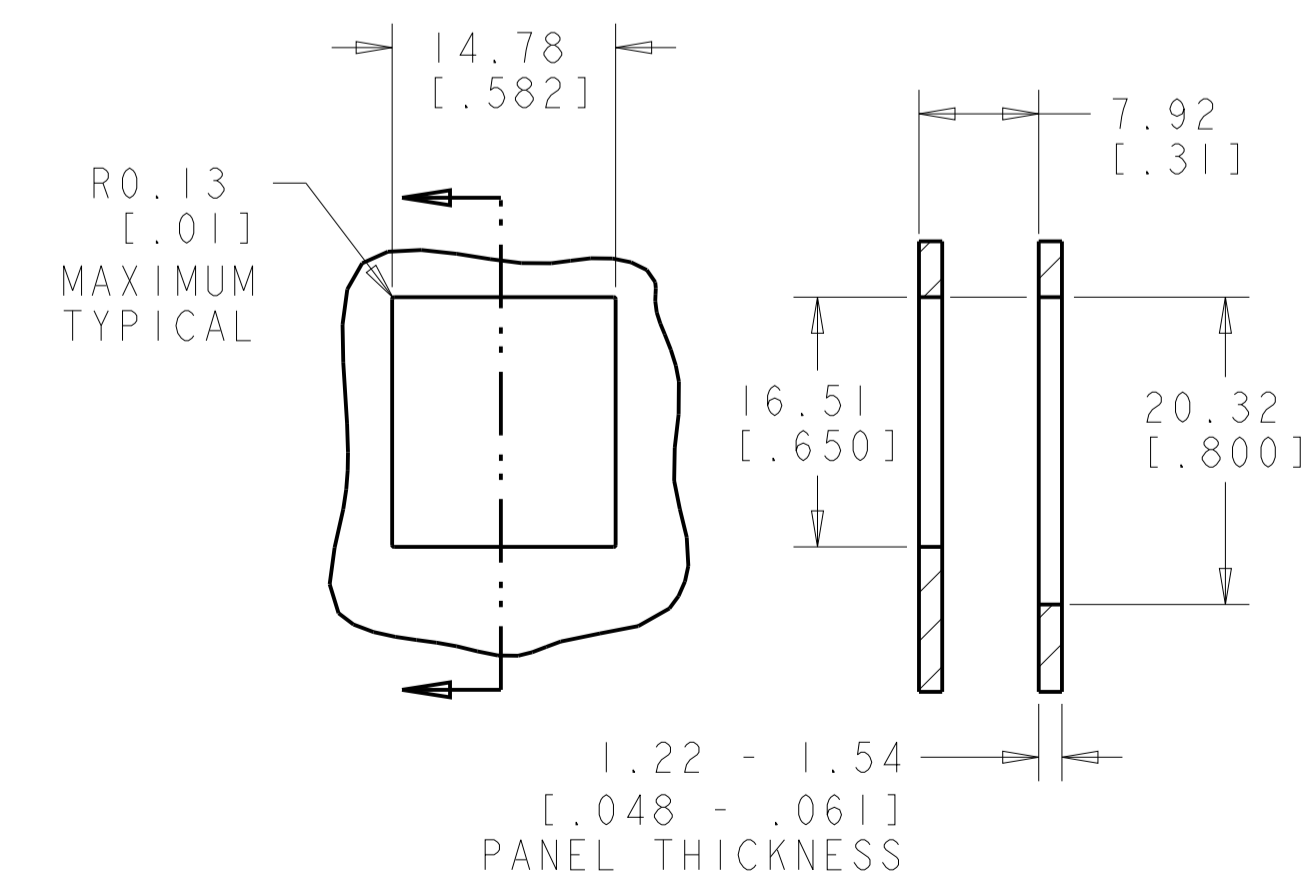
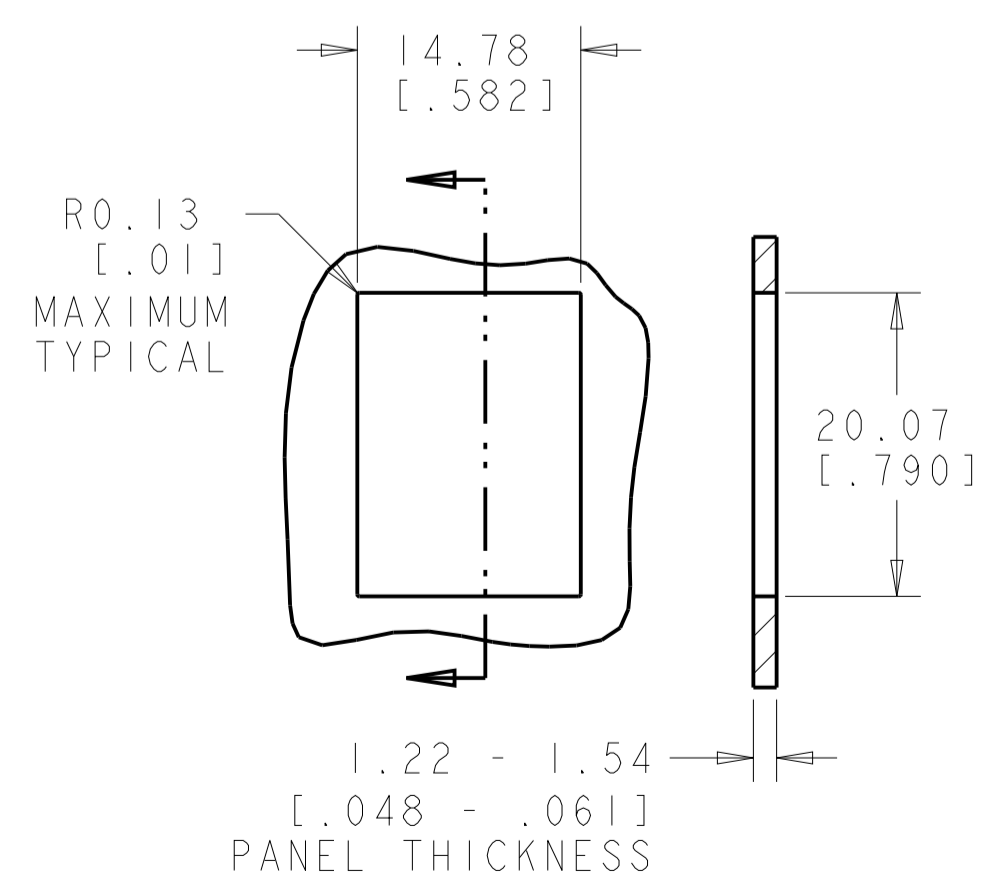
REVISIONS				
REV	DATE	DESCRIPTION	BY	APP'D
H	06SEPT2011	REV; ECO-11-015895	JB	SA
J	09FEB2017	REV PER BNS_CD_BRAND	GG	DC



- △ MATERIAL: JACK HOUSING - POLYCARBONATE, 94V-0 RATED.
 110 BLOCK - POLYCARBONATE.
 ARRAY TRAY - PBT POLYESTER.
 JACK CONTACTS ARRAY - BERYLLIUM COPPER, PLATED WITH 1.27µm [.000050] MINIMUM THICK GOLD IN LOCALIZED AREA AND 3.81µm [.000150] MINIMUM THICK MATTE TIN IN BOARD INTERFACE AREA OVER 1.27µm [.000050] MINIMUM THICK NICKEL UNDERPLATE.
 SHIELD - COPPER ZINC ALLOY 260 PREPLATED WITH BRIGHT NICKEL.
 IDC TERMINALS - PHOSPHOROUS BRONZE, PLATED WITH 3.81µm [.00015] MINIMUM THICK BRIGHT MATTE TIN OVER 1.27µm [.00005] MINIMUM THICK NICKEL UNDERPLATE.
 SHIELD: COPPER ZINC ALLOY 260 PREPLATED WITH BRIGHT NICKEL.
- 2. SL 110 JACK WILL TERMINATE 22-24 AWG SOLID AND 24-26 AWG STRANDED CONDUCTORS, 1.27[.050] MAXIMUM INSULATION DIAMETER. JACK WILL ACCEPT CONDUCTORS UP TO 1.45 [.057] BUT REQUIRE THE USE OF A STRAIN RELIEF.
- △ 3 CAVITY CONFORMS TO FCC RULES AND REGULATIONS PART 68 SUBPART F REQUIREMENTS.
- 4. MOUNTING PANEL THICKNESS 1.47 - 1.60 [.058 - .063].
- △ 5 THESE TWO SUGGESTED CUTOUT OPENINGS ARE USED IN TANDEM WITH DUAL FRONT AND BACK CUTOUTS.
- △ 6 ONE MODULAR JACK ASSEMBLY AND ONE SHIELD PER POLYBAG.
- 7. SHIELD SHIPPED NOT ASSEMBLED.
- △ 8 REFER TO 408-8858 FOR TERMINATION INSTRUCTIONS USING SL SERIES TOOL TERMINATION REFER TO 408-8602 FOR TERMINATION INSTRUCTIONS USING 110 PUNCH DOWN TOOL.



COLOR CODE	IDC TERMINAL	MODULAR JACK	
WHITE/BLUE	5	5	ELECTRICAL SCHEMATIC T568A
BLUE	4	4	
WHITE/ORANGE	3	3	
ORANGE	6	6	
WHITE/GREEN	1	3	ELECTRICAL SCHEMATIC T568B
GREEN	2	6	
WHITE/BROWN	7	7	
BROWN	8	8	



△ 6	BLACK	1375189-1
PACKAGE	HOUSING COLOR	PART NUMBER

THIS DRAWING IS A CONTROLLED DOCUMENT.		OWN: T. PITTS 05NOV01	COMMSCOPE, INC. ASSEMBLY, SL 110 JACK, SHIELD, CATEGORY 5e
DIMENSIONS: MM [inches]		CHK: L. SMITH 15NOV01	
TOLERANCES UNLESS OTHERWISE SPECIFIED:		APP'D: C. DOOLEY 15NOV01	NAME
0 PLC ±	1 PLC ±	PRODUCT SPEC 108-1990	SIZE
2 PLC ±	3 PLC ±	108-1990-2	CAGE CODE
4 PLC ±	ANGLES ±	APPLICATION SPEC	DRAWING NO
MATERIAL	FINISH	WEIGHT	RESTRICTED TO
CUSTOMER DRAWING		SCALE 4:1	SHEET 1 OF 1