

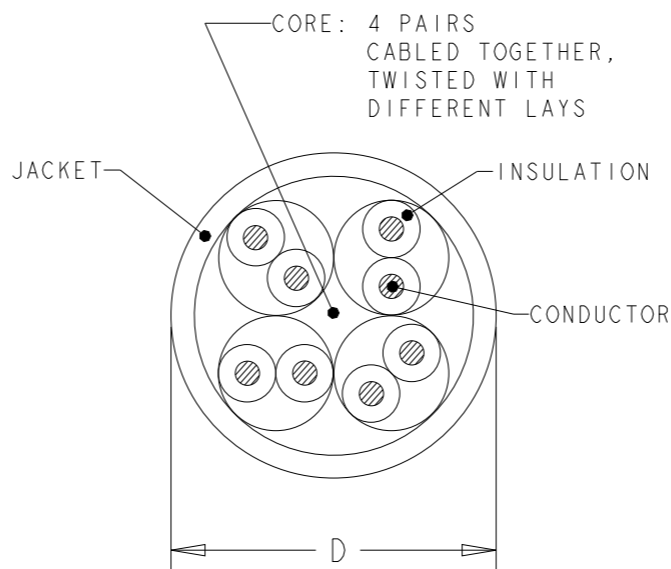
THIS DRAWING IS UNPUBLISHED. RELEASED FOR PUBLICATION

© 2016 COMMScope, INC. CONFIDENTIAL NOTICE: THESE DRAWINGS AND SPECIFICATIONS ARE THE PROPRIETARY PROPERTY OF COMMScope, INC. AND MAY BE USED ONLY FOR THE SPECIFIC PURPOSE AUTHORIZED IN WRITING BY COMMScope, INC.

REVISIONS					
P	LTR	DESCRIPTION	DATE	DWN	APVD
	H2	Updated	16MAR2009	LD	JS
	J	ECR-12-006788	17APR2012	LD	JS
	J1	Updated	07MAR2013	LD	JS
	K	REV PER BNS_CD_BRAND	07FEB2017	GG	DC

FINISHED CABLE DATA		
CONDUCTORS	WIRE AWG	24 AWG Solid
	Ø RANGE in mm	0,485<=Ø<0,546
	MATERIAL	COPPER
	PLATING	BARE
	ELONGATION	15% PER EN 50288-1
INSULATION	MATERIAL	POLYETHYLENE
	OVERALL DIAMETER	0,95
DRAIN WIRE	WIRE AWG	-
	MATERIAL	-
	PLATING	-
	ELONGATION	-
BINDER	POLYESTER TAPE	OPTIONAL
INDIVIDUAL PAIR SCREEN	MATERIAL	-
OVERALL SHIELD	FOIL MATERIAL	-
OVERALL SHIELD	BRAID MATERIAL	-
	PLATING	-
	COVERAGE	-
	ELONGATION	-
JACKET	MATERIAL	LSZH
	OVERALL DIAMETER (D)	5,0 mm
PULLING FORCE	MAX.	80 N

- REFER TO PRODUCT SPEC 108-93018 FOR ADDITIONAL REQUIREMENTS.
- CABLE PRINT LEGEND:
CAT5E UTP SOLID PR04 AWG24 LSZH
- CABLE COLORED TYPES UPON REQUEST.



WHITE	500	REEL	1-57538-7
WHITE	305	REEL BOX	1-57538-6
WHITE	1000	REEL	57538-3
WHITE	305	PULL BOX	57538-2
WHITE	305	REEL	57538-1
COLOUR	LENGTH (METRES)	PACKAGE	PART NUMBER

THIS DRAWING IS A CONTROLLED DOCUMENT.		DWN L. de Dios 17Apr12	COMMScope, INC.													
DIMENSIONS: mm		CHK M. Maqueda 17Apr12														
TOLERANCES UNLESS OTHERWISE SPECIFIED:		APVD J. Sanabra 17Apr12														
<table border="1"> <tr> <td>0 PLC</td> <td>±-</td> </tr> <tr> <td>1 PLC</td> <td>±-</td> </tr> <tr> <td>2 PLC</td> <td>±-</td> </tr> <tr> <td>3 PLC</td> <td>±-</td> </tr> <tr> <td>4 PLC</td> <td>±-</td> </tr> <tr> <td>ANGLES</td> <td>±-</td> </tr> </table>		0 PLC	±-	1 PLC	±-	2 PLC	±-	3 PLC	±-	4 PLC	±-	ANGLES	±-	PRODUCT SPEC -	NAME CABLE, CAT5E, UTP, SOLID, PR04, AWG24, LSZH	
0 PLC	±-															
1 PLC	±-															
2 PLC	±-															
3 PLC	±-															
4 PLC	±-															
ANGLES	±-															
MATERIAL -		APPLICATION SPEC -	SIZE A3	CAGE CODE -	DRAWING NO C-57538	RESTRICTED TO -										
FINISH -		WEIGHT -	SCALE NTS		SHEET 1	OF 1	REV K									
CUSTOMER DRAWING																