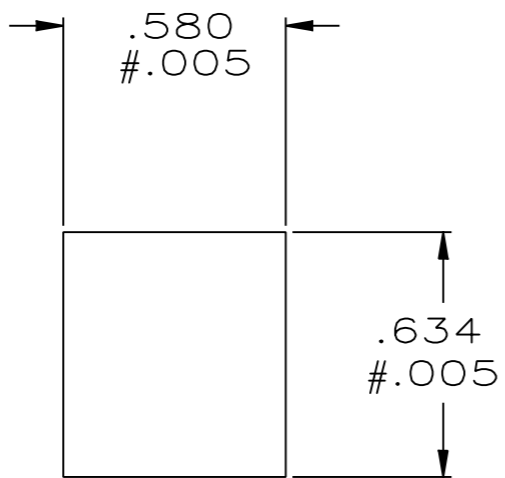
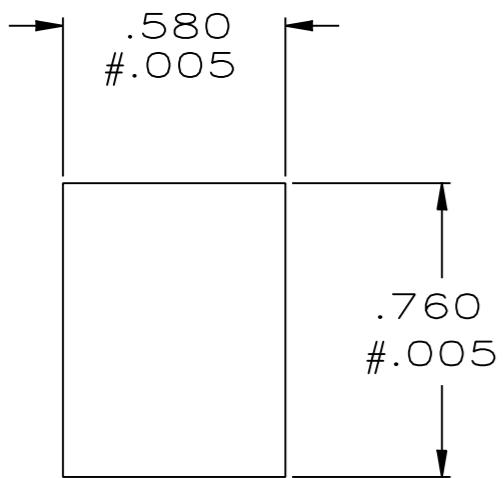
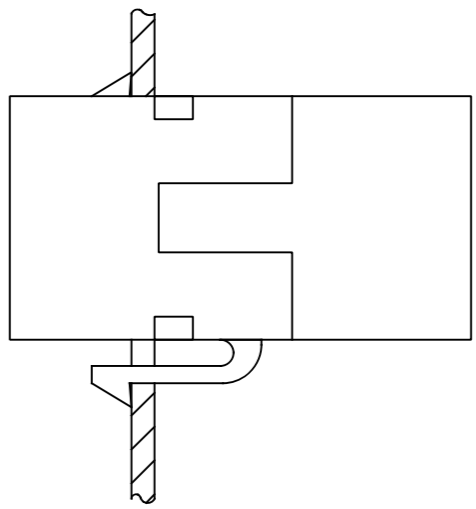
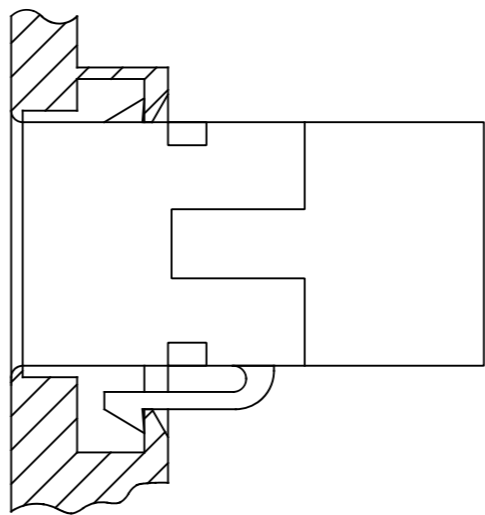
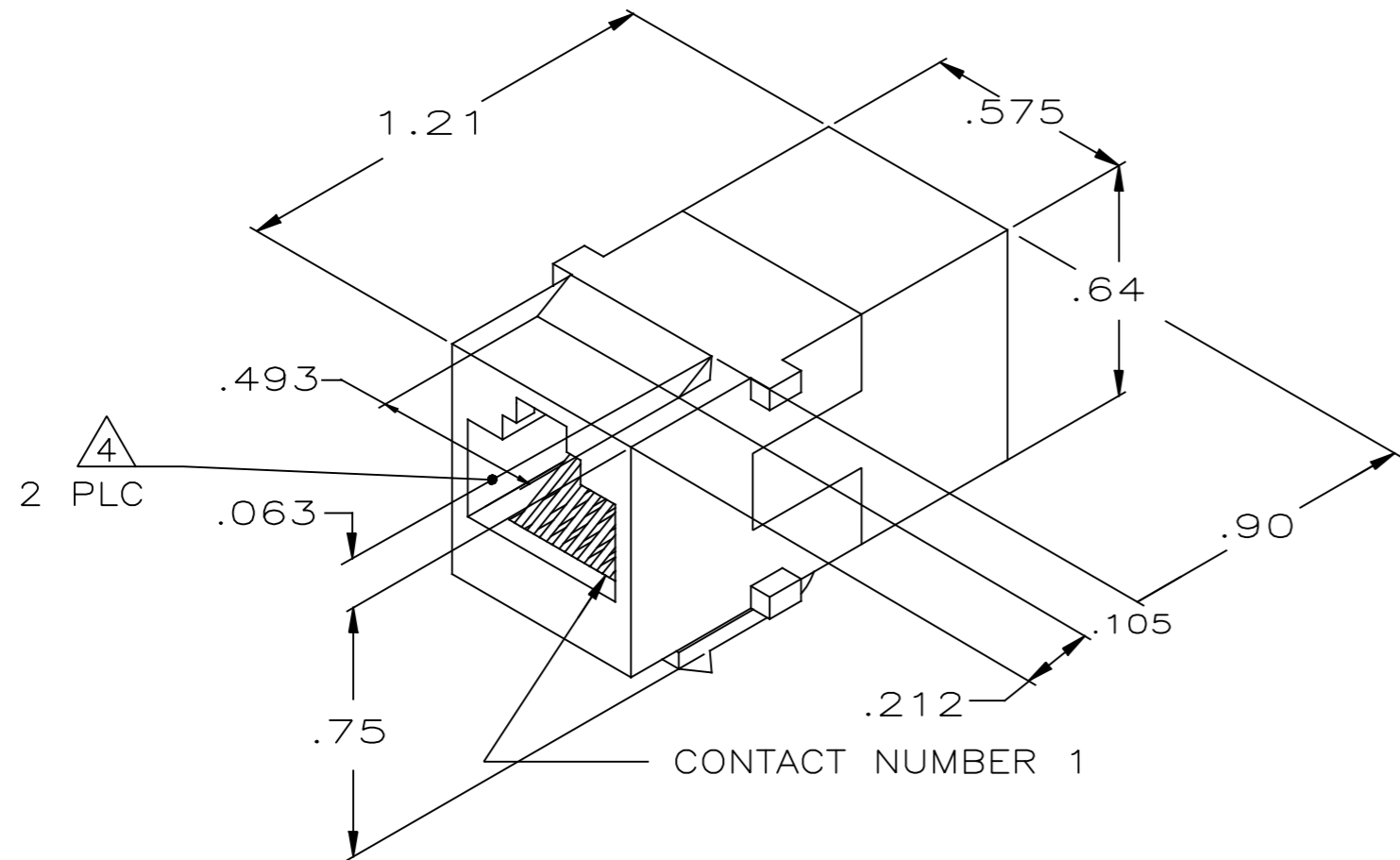


THIS DRAWING IS UNPUBLISHED. RELEASED FOR PUBLICATION
 © 2016 Commscope, INC. Confidential NOTICE: These drawings and specifications are the proprietary property of COMMSCOPE, INC. and may be used only for the specific purpose authorized in writing by COMMSCOPE, INC.

REVISIONS					
P	LTR	DESCRIPTION	DATE	DWN	APVD
G3		REV; MCO-40028537MCO	18FEB2016	HG	RA
H		REV PER BNS_CD_BRAND	10MAR2017	GG	DC

- ALL DIMENSIONS SHOWN ARE MAXIMUM UNLESS OTHERWISE SPECIFIED.
- MATERIAL:
 HOUSING - POLYPHENYLENE OXIDE, BLACK.
 TERMINAL - .018 DIA PHOSPHOR BRONZE PLATED WITH .000030 MINIMUM THICK GOLD OVER .000050 MINIMUM THICK NICKEL.
- MOUNTING PANEL THICKNESS .062 NOMINAL.
- CAVITIES SHALL CONFORM TO FCC RULES AND REGULATIONS, PART 68, SUBPART F.



RECOMMENDED PANEL CUTOUT FOR SINGLE WALL PLATE AND BACK PANEL FOR DOUBLE WALL PLATE

RECOMMENDED FRONT PANEL CUTOUT FOR DOUBLE WALL PLATE

555052-1
PART NO

THIS DRAWING IS A CONTROLLED DOCUMENT.		DWN S. WAITMAN 22JUN05	COMMSCOPE, INC. NAME COUPLER ASSEMBLY, 8 POSITION, IN-LINE					
DIMENSIONS: INCHES		CHK L. HALL 22JUN05				SIZE A2	CAGE CODE -	DRAWING NO C=555052
TOLERANCES UNLESS OTHERWISE SPECIFIED:		APVD S. HERNDON 22JUN05				RESTRICTED TO -	SCALE 2:1	SHEET 1 of 1
0 PLC ± - 1 PLC ± - 2 PLC ± - 3 PLC ± - 4 PLC ± - ANGLES ± - FINISH -		PRODUCT SPEC -				REV H		
MATERIAL -		APPLICATION SPEC -						
		WEIGHT -						
		CUSTOMER DRAWING						

555052

A