

THIS DRAWING IS UNPUBLISHED. RELEASED FOR PUBLICATION
 © 2016 Commscope, Inc. Confidential. All rights reserved. These drawings and specifications are the proprietary property of COMMSCOPE, INC and may be used only for the specific purpose authorized in writing by COMMSCOPE, INC.

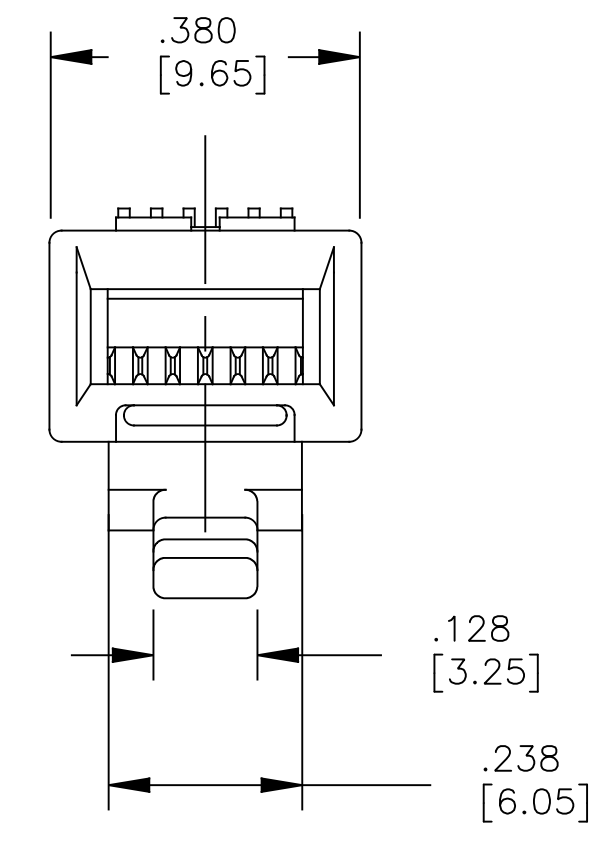
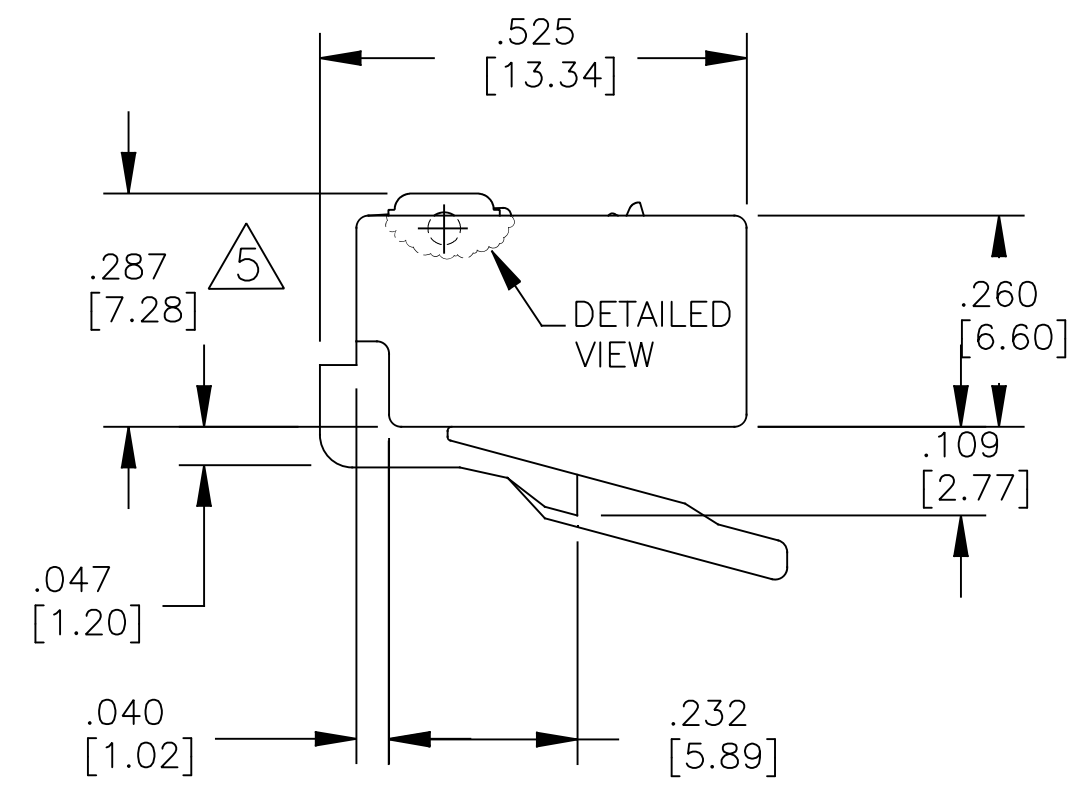
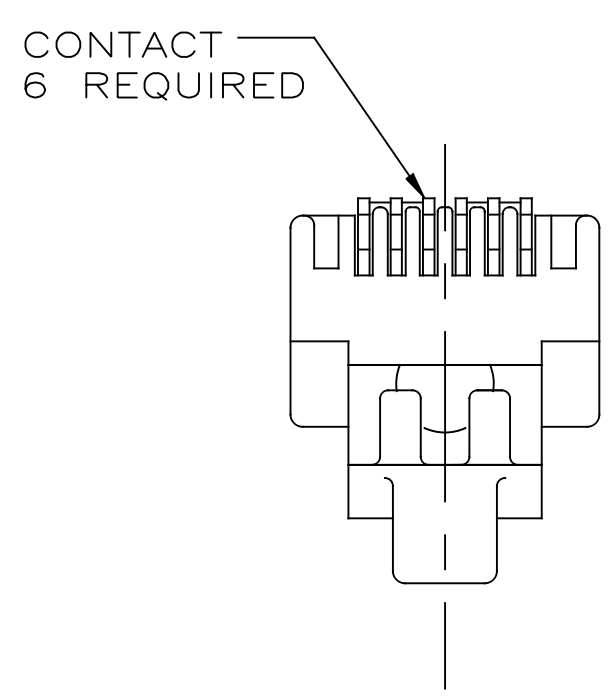
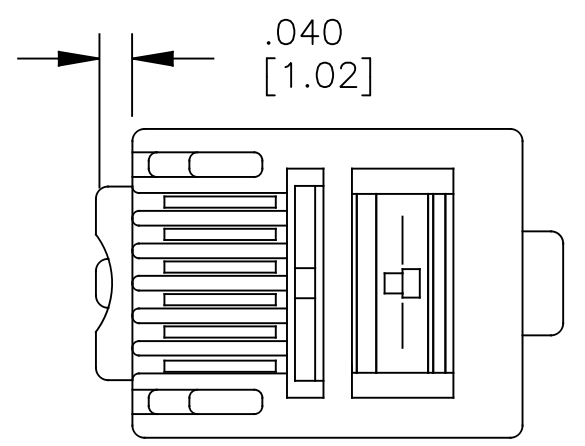
REVISIONS				
REV	DATE	DESCRIPTION	BY	CHKD
B	16NOV2015	REV: MCO-40025903MCO	HG	JG
C	21JAN2017	REV PER BNS_CD_BRAND	GG	DC

MP-66

- U=UNSHIELDED
S=SHIELDED
- BODY
BLANK=STANDARD
L=LONG
- CABLE TYPE
R=ROUND
F=FLAT OVAL
- INSULATION DIAMETER
S=SMALL CONDUCTOR
- PACKAGE SIZE
5 = 500
1 = 100

- 1 DIMENSIONS ARE NOMINAL UNLESS OTHERWISE SPECIFIED.
- 2 MATERIAL: HOUSING- POLYCARBONATE, CLEAR TERMINAL- .305 [.012] THICK PHOSPHOR BRONZE PLATED WITH 1.27μ [.00005] MINIMUM THICK GOLD IN LOCALIZED PLATE AREA OVER 2.54μ [.000100] MINIMUM THICK NICKEL UNDERPLATE.

SHIELD, OPTIONAL- COPPER ALLOY WITH 1.27 [.000050] MINIMUM SEMI-BRIGHT (SATIN) NICKEL.
3. NON-SMALL CONDUCTOR PLUGS WILL ACCEPT 24 TO 26 AWG SOLID OR STRANDED CONDUCTORS WITH A SINGLE INSULATION DIAMETER OF 0.86-0.99 [.034-.039]. SMALL CONDUCTOR PLUGS WILL ACCEPT 26 TO 28 AWG SOLID OR STRANDED WIRE WITH A SINGLE INSULATION DIAMETER OF 0.74-0.86 [.029-.034].
4. MAXIMUM CABLE JACKET DIAMETERS FOR THE VARIOUS MP-66 MODULAR PLUGS ARE:
 ROUND - STANDARD BODY: 4.58 [0.180]
 ROUND - LONG BODY: 4.96 [0.195]
 FLAT OVAL - STANDARD BODY: 2.29 X 6.61 [0.090 X 0.260]
 FLAT OVAL - LONG BODY: 2.79 X 6.85 [0.110 X 0.270]
- 5 TERMINATED DIMENSION 5.89 [.232] - 6.15 [.242].
6. UL RECOGNIZED FILE NUMBER E81956.



UNSHIELDED MOD PLUG STANDARD BODY
 PRODUCTS WILL LOOK SIMILAR TO THIS VIEW

PACKAGE	MATERIAL	CATALOG NUMBER
100	6-557971-3	MP-66U-FS-1
500	6-557971-2	MP-66U-FS-5
100	6-554710-3	MP-66U-R-1
500	6-554710-2	MP-66U-R-5
100	6-641337-3	MP-66U-F-1
500	6-641337-2	MP-66U-F-5

THIS DRAWING IS A CONTROLLED DOCUMENT.

DIMENSIONS: INCHES [mm]	TOLERANCES UNLESS OTHERWISE SPECIFIED:	0 PLC ± -	1 PLC ± -	2 PLC ± -	3 PLC ± .005	4 PLC ± -	FINISH	ANGLE

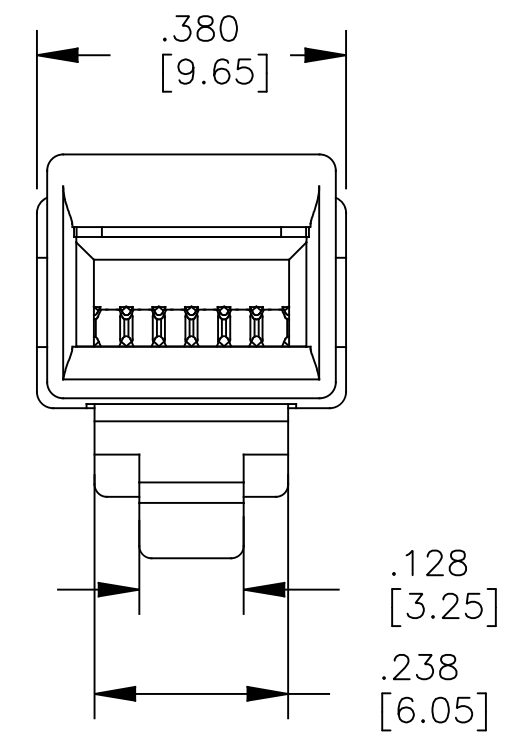
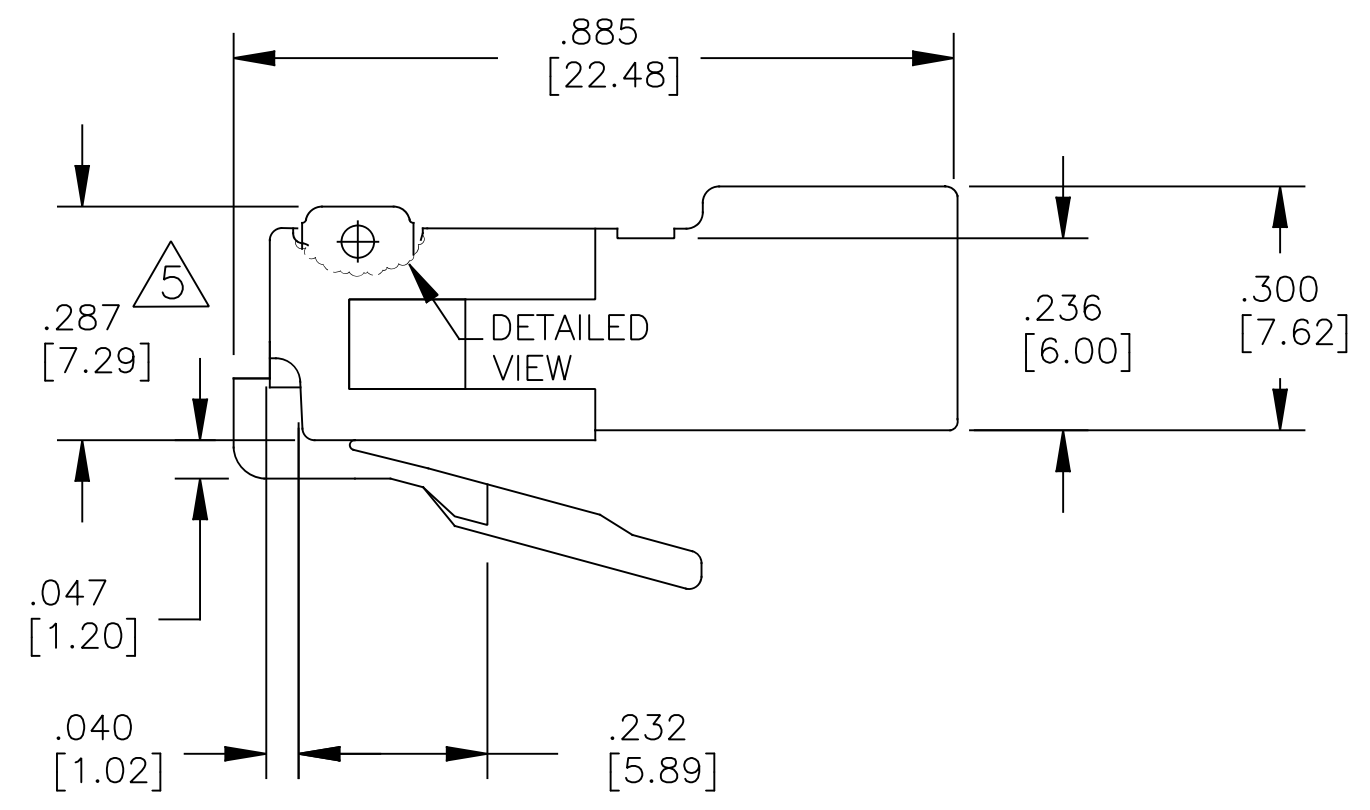
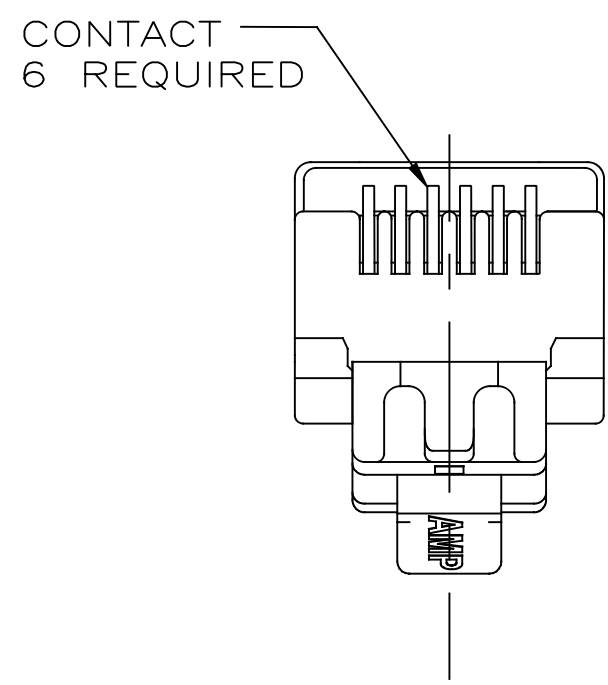
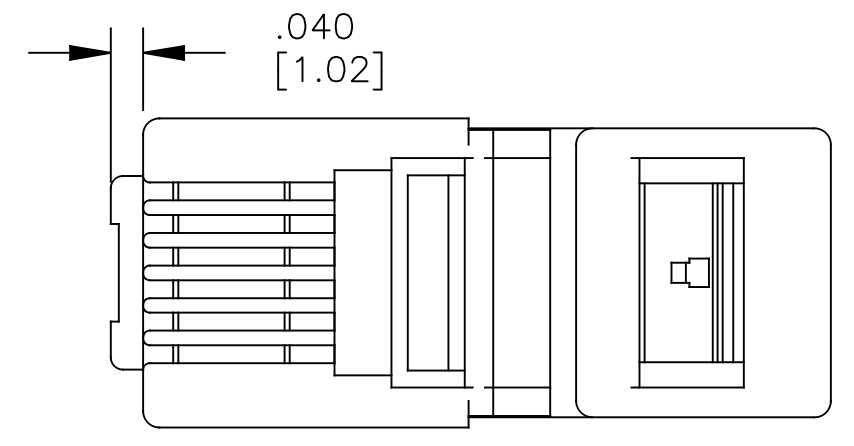
APPROVED: J. GENIAC	DATE: 08JUN2015	DRAWN: H. GAUL	DATE: 08JUN2015
PRODUCT SPEC: 108-1163	APPLICATION SPEC: 114-6016	SIZE: A1	SCALE: 6:1
CUSTOMER DRAWING	RESTRICTED TO: -	SHEET: 1 OF 3	REV: C

COMMSCOPE, INC.
 MOD PLUG ASSY, 6 POSN, LINE

REVISIONS				
P	LR	DESCRIPTION	DATE	APPROV
		SEE SHT. 1	-	-

MP-66

- U=UNSHIELDED
S=SHIELDED
- BODY
BLANK=STANDARD
L=LONG
- CABLE TYPE
R=ROUND
F=FLAT OVAL
- INSULATION
DIAMETER
S=SMALL
CONDUCTOR
- PACKAGE
SIZE
5 = 500
1 = 100



UNSHIELDED MOD PLUG, LONG
 PRODUCT WILL LOOK SIMILAR TO THIS VIEW

PACKAGE	MATERIAL	CATALOG NUMBER
100	6-555177-3	MP-66U-LR-1
500	6-555177-2	MP-66U-LR-5
100	6-555176-3	MP-66U-LF-1
500	6-555176-2	MP-66U-LF-5

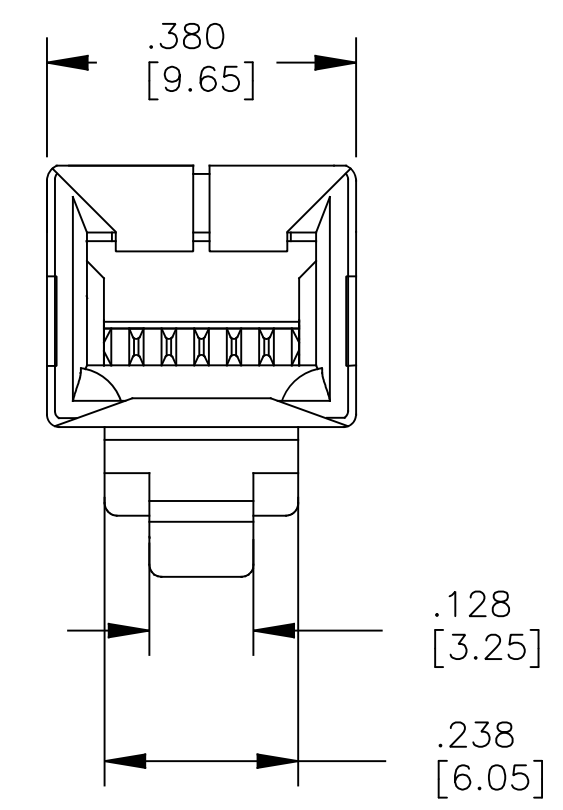
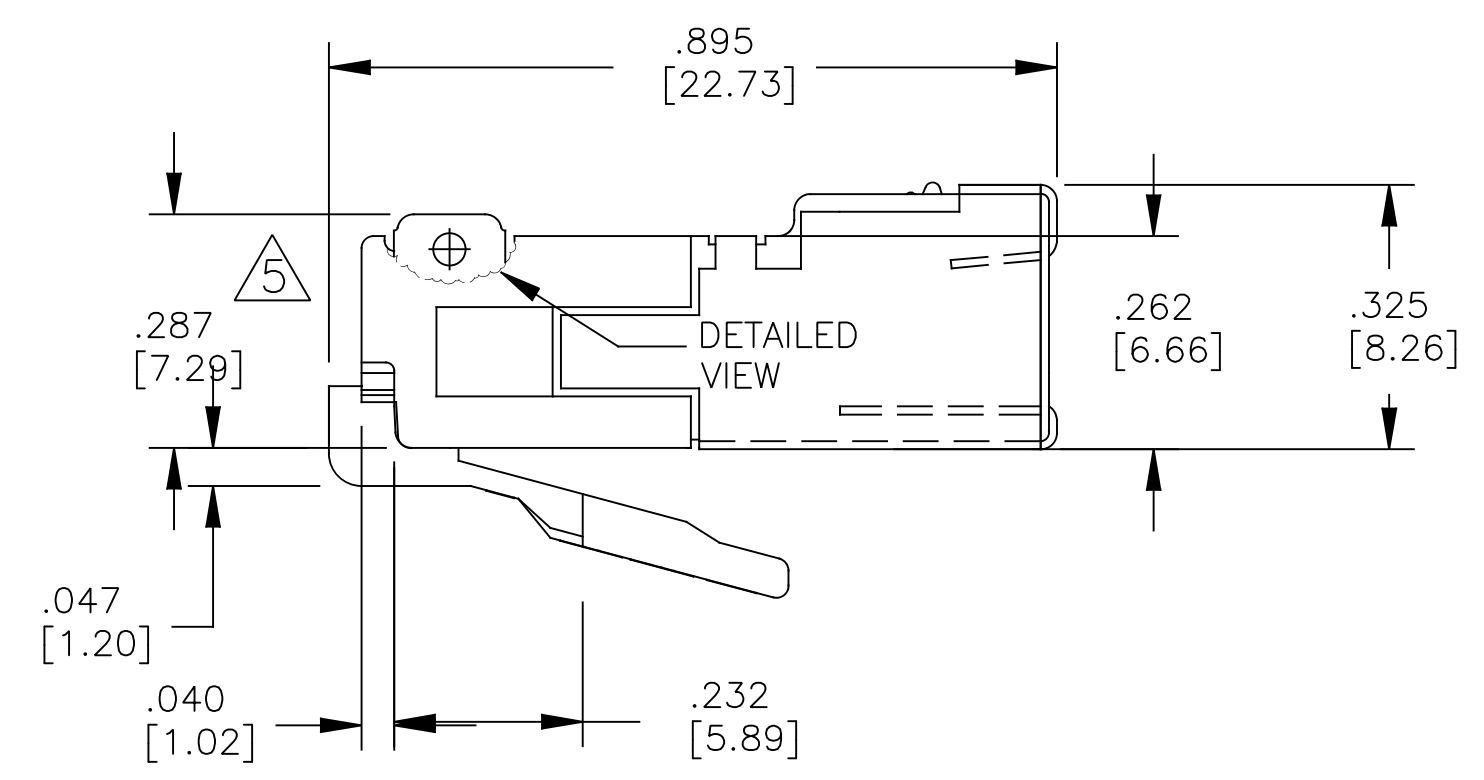
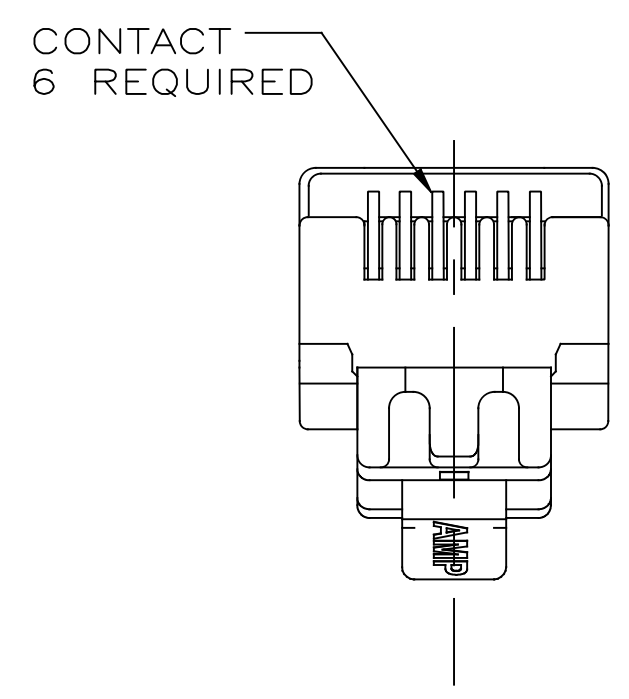
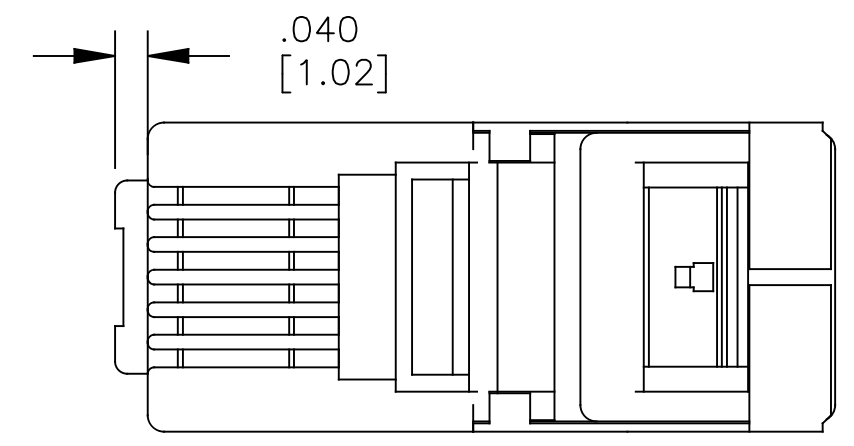
THIS DRAWING IS A CONTROLLED DOCUMENT.

DIMENSIONS:	TOLERANCES UNLESS OTHERWISE SPECIFIED:	DWG: H GAUL 09JUN2015	COMMSCOPE, INC.
INCHES [mm]		CHK: J. GENIAC 09JUN2015	
	0 PLC ± -	APVD: J. GENIAC 09JUN2015	NAME: MOD PLUG ASSY, 6 POSN, LINE
	1 PLC ± -	PRODUCT SPEC	108-1163
	2 PLC ± -	APPLICATION SPEC	114-6016
	3 PLC ± .005	WEIGHT	-
4 PLC ± -	MATERIAL	A1	SIZE: A1
ANGLES ± -	FINISH	C=2843026	CAGE CODE: -
		CUSTOMER DRAWING	SCALE: 6:1
			SHEET 2 OF 3
			REV C

REVISIONS				
REV	DATE	DESCRIPTION	BY	APPD
1		SEE SHT. 1		

MP-66

- U=UNSHIELDED
S=SHIELDED
- BODY
BLANK=STANDARD
L=LONG
- CABLE TYPE
R=ROUND
F=FLAT OVAL
- INSULATION DIAMETER
S=SMALL CONDUCTOR
- PACKAGE SIZE
5 = 500
1 = 100



SHIELDED MOD PLUG, LONG
 PRODUCTS WILL LOOK SIMILAR TO THIS VIEW

100	6-555175-3	MP-66S-LR-1
500	6-555175-2	MP-66S-LR-5
100	6-555174-3	MP-66S-LF-1
500	6-555174-2	MP-66S-LF-5
PACKAGE	MATERIAL	CATALOG NUMBER

THIS DRAWING IS A CONTROLLED DOCUMENT.

DIMENSIONS: INCHES [mm]	TOLERANCES UNLESS OTHERWISE SPECIFIED:	0 PLC ± -	1 PLC ± -	2 PLC ± -	3 PLC ± .005	4 PLC ± -	ANGLES FINISH ± -
----------------------------	--	-----------	-----------	-----------	--------------	-----------	-------------------

DWN: H. GAUL DSK: J. GENIAC APVD: J. GENIAC DATE: 08JUN2015	NAME: MOD PLUG ASSY, 6 POSN, LINE PRODUCT SPEC: 108-1163 APPLICATION SPEC: 114-6016	SIZE: A1 CAGE CODE: - DRAWING NO: ©=2843026	RESTRICTED TO: - SCALE: 5:1 SHEET: 3 OF 3 REV: C
--	---	---	---

CUSTOMER DRAWING