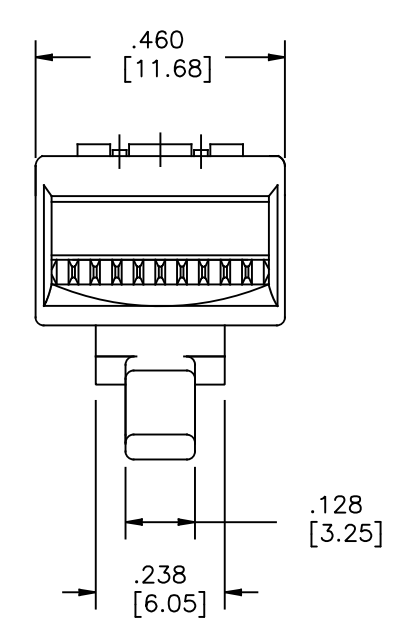
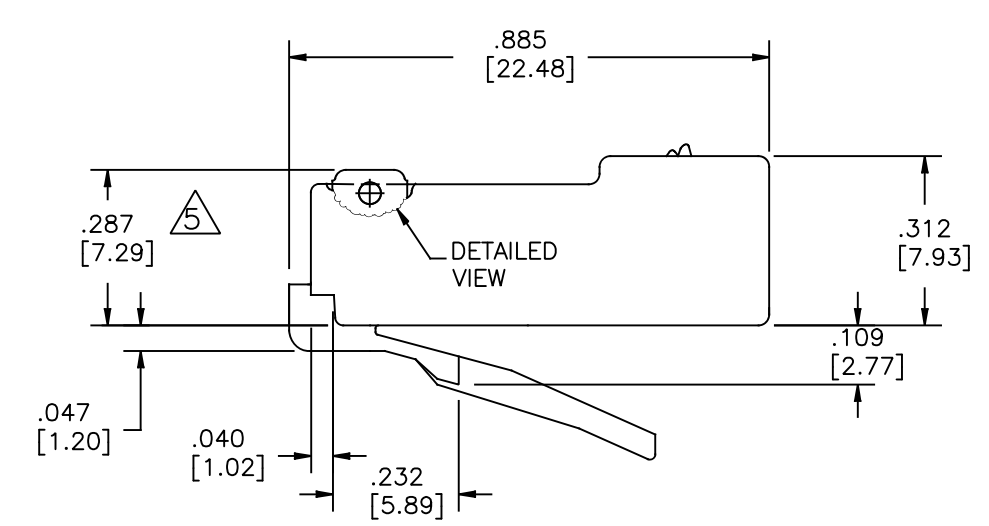
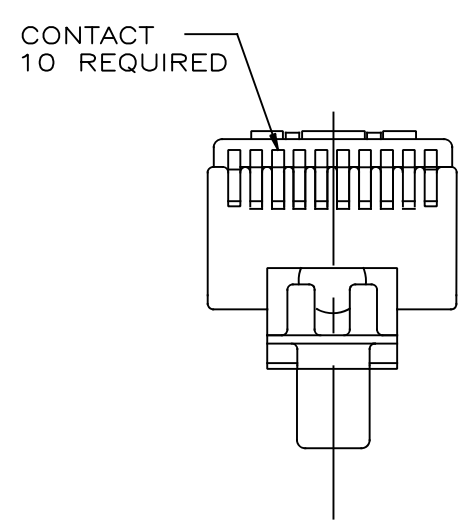
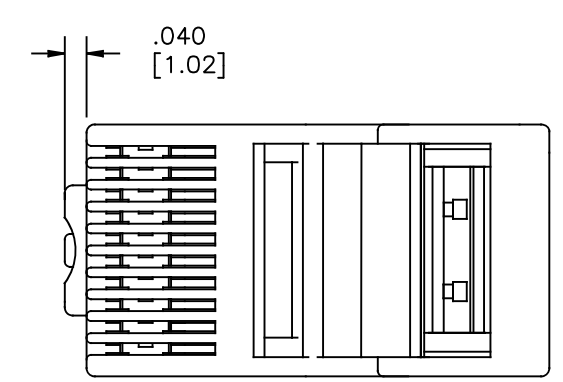


REVISIONS				
P	LR	DESCRIPTION	DATE	OWN APVD
B		REV: MCO-40026563MCO	16NOV2015	HG JG
C		REV PER BNS_CD_BRAND	21JAN2017	GG DC

MP1010U-R-

PACKAGE SIZE
 5 = 500
 2 = 50
 1 = 100

- 1 DIMENSIONS ARE NOMINAL UNLESS OTHERWISE SPECIFIED.
- 2 MATERIAL: HOUSING- POLYCARBONATE, CLEAR TERMINAL- .305 [.012] THICK PHOSPHOR BRONZE PLATED WITH 1.27[M [.00005] MINIMUM THICK GOLD IN LOCALIZED PLATE AREA OVER 2.54[M [.000100] MINIMUM THICK NICKEL UNDERPLATE.
- 3. NON-SMALL CONDUCTOR PLUGS WILL ACCEPT 24 TO 26 AWG SOLID OR STRANDED CONDUCTORS WITH A SINGLE INSULATION DIAMETER OF 0.86 - 0.99 [.034-.039].
- 4. MAXIMUM CABLE JACKET DIAMETER FOR THE 10 POSITION PLUGS IS 5.34 [0.210] DIAMETER JACKET.
- 5 TERMINATED DIMENSION 5.89 [.232] - 6.15 [.242].
- 6. UL RECOGNIZED FILE NUMBER E81956.



100	6-557963-3	MP1010U-R-1
500	6-557963-2	MP1010U-R-5
PACKAGE	MATERIAL	CATALOG NUMBER
CATALOG NUMBER VERSIONS		

THIS DRAWING IS A CONTROLLED DOCUMENT.		DWG: H.GAUL 11JUN2015	COMMSCOPE, INC.	
		CHK: J.GENIAC 11JUN2015		
DIMENSIONS: INCHES [mm]		APVD: J.GENIAC 11JUN2015	NAME: MODULAR PLUG ASSEMBLY, 10 POSITION, ROUND CABLE	
TOLERANCES UNLESS OTHERWISE SPECIFIED:		PRODUCT SPEC	108-1163	
0 PLC ± -		APPLICATION SPEC	114-6016	
1 PLC ± -		WEIGHT	-	
2 PLC ± .005		SIZE	A1	
3 PLC ± .005		CAGE CODE	-	
4 PLC ± -		DRAWING NO	©=2843028	
ANGLES ± -		RESTRICTED TO	-	
FINISH		CUSTOMER DRAWING	SCALE 4:1 SHEET 1 OF 1 REV C	