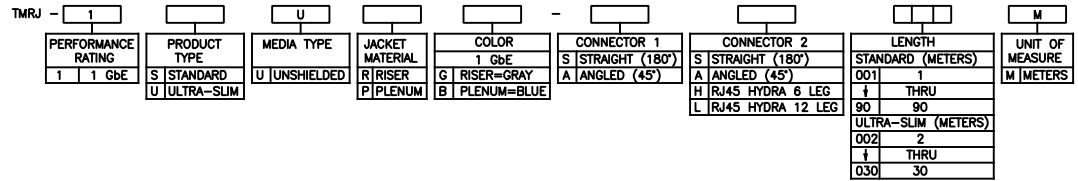


THIS DRAWING IS UNCLASSIFIED. RELEASED FOR PUBLICATION
 2014 Commscope, Inc. Confidential

REVISIONS			
P. NO.	DESCRIPTION	DATE	BY
D	REV PER ECH 800018347	08FEB2017	GG DP

ENTERPRISE NETWORKS MRJ21 CABLE ASSEMBLY CATALOG SCHEME



- 1. CABLE ASSEMBLY 100% TESTED FOR:
 - A. OPENS AND SHORTS [300 VDC HIPOT]
 - B. WIRING DIAGRAM
 - C. TRANSMISSION PERFORMANCE

PRODUCT LABEL INFORMATION AS FOLLOWS:

COMMSCOPE INC.
 (CATALOG NUMBER) (MCV SYMBOL)
 ___M/___FT (LISTING MARK)
 (DATE CODE) / (LOCATION CODE)
 (SERIAL NUMBER) MADE IN ___

IF NO CATALOG NUMBER, USE PART NUMBER.

- SEE TABLE FOR CABLE LENGTH.
- SEE DETAIL V FOR MRJ21 (1GbE) CONNECTOR WIRING DIAGRAM.
- SEE DETAIL V FOR RJ45 HYDRA BREAKOUT INFORMATION AND LABELING.

6. BASIC CONNECTOR DIMENSIONS FOUND ON VIEW B, SHEET 3.

STANDARD TRUNK, AVAILABLE LENGTHS: 1-40 (1M INCREMENTS), 40-95 (5M INCREMENTS).

ULTRA SLIM, AVAILABLE LENGTHS: 2-30 (1M INCREMENTS).

HYDRA, AVAILABLE LENGTHS: 1-20 (1M INCREMENTS), 20-45 (5M INCREMENTS) AND 50-90 (10M INCREMENTS).

PART NO.	ASSEMBLY L±METERS	PART NO.	ASSEMBLY L±METERS	PART NO.	ASSEMBLY L±METERS
3-XXXXXXX-3	33	-	-	-	-
3-XXXXXXX-2	32	8-XXXXXXX-5	85	-	-
3-XXXXXXX-1	31	-	-	-	-
3-XXXXXXX-0	30	-	-	-	-
2-XXXXXXX-9	29	-	-	-	-
2-XXXXXXX-8	28	8-XXXXXXX-0	80	-	-
2-XXXXXXX-7	27	-	-	-	-
2-XXXXXXX-6	26	-	-	-	-
2-XXXXXXX-5	25	-	-	-	-
2-XXXXXXX-4	24	-	-	9-XXXXXXX-0	90
2-XXXXXXX-3	23	-	-	-	-
2-XXXXXXX-2	22	5-XXXXXXX-5	55	-	-
2-XXXXXXX-1	21	-	-	-	-
2-XXXXXXX-0	20	-	-	-	-
1-XXXXXXX-9	19	-	-	8-XXXXXXX-5	85
1-XXXXXXX-8	18	-	-	-	-
1-XXXXXXX-7	17	5-XXXXXXX-0	50	-	-
1-XXXXXXX-6	16	-	-	-	-
1-XXXXXXX-5	15	-	-	-	-
1-XXXXXXX-4	14	-	-	8-XXXXXXX-0	80
1-XXXXXXX-3	13	-	-	-	-
1-XXXXXXX-2	12	4-XXXXXXX-5	45	-	-
1-XXXXXXX-1	11	-	-	-	-
1-XXXXXXX-0	10	-	-	-	-
XXXXXXX-9	9	-	-	7-XXXXXXX-5	75
XXXXXXX-8	8	-	-	-	-
XXXXXXX-7	7	4-XXXXXXX-0	40	-	-
XXXXXXX-6	6	3-XXXXXXX-9	39	-	-
XXXXXXX-5	5	3-XXXXXXX-8	38	-	-
XXXXXXX-4	4	3-XXXXXXX-7	37	7-XXXXXXX-0	70
XXXXXXX-3	3	3-XXXXXXX-6	36	-	-
XXXXXXX-2	2	3-XXXXXXX-5	35	-	-
XXXXXXX-1	1	3-XXXXXXX-4	34	-	-

.510	VIEW E	-	2111499
.510	VIEW E	-	2111498
.510	VIEW H	TMRJ-1SURG-AL___M	2111377
.510	VIEW F	TMRJ-1SURG-AH___M	2111376
.460	VIEW E	TMRJ-1SUPB-SH___M	2111375
.510	VIEW G	TMRJ-1SURG-SL___M	2111373
.460	VIEW B	TMRJ-1SUPB-SA___M	2111372
.510	VIEW B	TMRJ-1SURG-SA___M	2111371
.510	VIEW E	TMRJ-1SURG-SH___M	2111370
.510	VIEW C	TMRJ-1SURG-AA___M	2111369
.460	VIEW A	TMRJ-1SUPB-SS___M	2111368
.360	VIEW A	TMRJ-1UURG-SS___M	2111367
.510	VIEW A	TMRJ-1SURG-SS___M	2111366

CABLE DIA. REF	DRAWING VIEW/DETAIL LOCATION	ENTERPRISE NETWORKS CATALOG NO.	PART NO.

THIS DRAWING IS A CONTROLLED DOCUMENT.

DESIGNER: T. HALL
 CHECKED: S. JONES
 DRAWN: S. JONES
 PROJECT NO: 408-10469
 APPLICATION SPEC: -

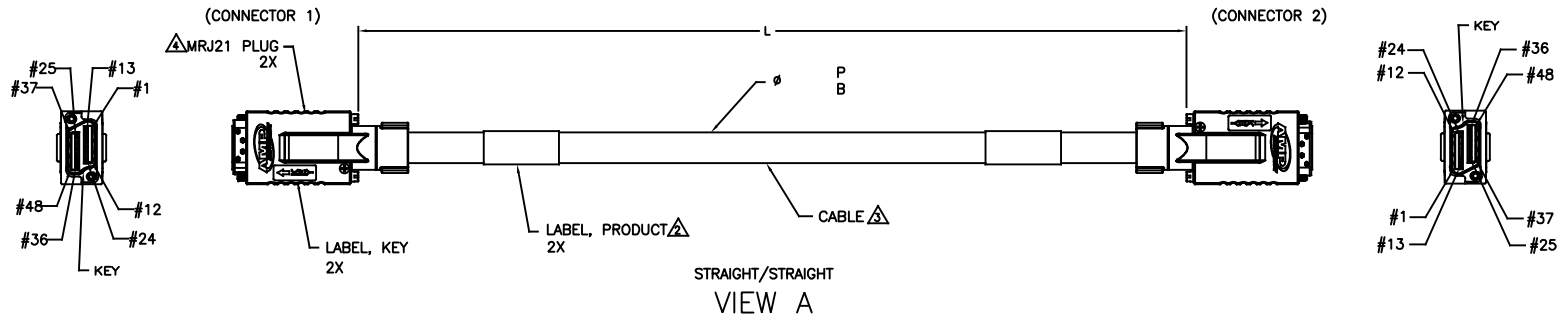
DATE: -
 SIZE: A1
 CHECK CODE: C=2111439
 DRAWING NO: -
 CUSTOMER DRAWING: -

ENTERPRISE NETWORKS
 CABLE ASSY, MRJ 21/MRJ 21, 1GbE
 ENTERPRISE NETWORKS

REFLECTED TO: -
 SHEET: 1 OF 5
 DATE: 08FEB2017

THIS DRAWING IS UNCLASSIFIED. RELEASED FOR PUBLICATION
 © 2018 CommScope, Inc. Confidential

REVISIONS			
P	LN	DESCRIPTION	DATE
-	-	SEE SHEET 1	-



CONNECTOR 1		CABLE		CONNECTOR 2	
MRJ21 PIN #	1GbE (25 PR) WIRE COLOR	MRJ21 PIN #	HYDR 6 LEG LABEL	RJ45 PIN #	HYDR 12 LEG LABEL
1	WHT/BLU	1	5	1	
2	BLU/WHT	2	4	2	
13	WHT/ORG	13	3	3	PORT 1
14	ORG/WHT	14	6	6	
3	WHT/GRN	3	1	1	PORT 1
4	GRN/WHT	4	2	2	
15	WHT/BRN	15	7	3	PORT 2
16	BRN/WHT	16	8	6	
25	WHT/GRY	25	5	1	
26	GRY/WHT	26	4	2	
37	RED/BLU	37	3	3	PORT 3
38	BLU/RED	38	6	6	
27	RED/ORG	27	1	1	PORT 2
28	ORG/RED	28	2	2	
39	RED/GRN	39	7	3	PORT 4
40	GRN/RED	40	8	6	
5	RED/BRN	5	5	1	
6	BRN/RED	6	4	2	
17	RED/GRY	17	3	3	PORT 5
18	GRY/RED	18	6	6	
7	BLK/BLU	7	1	1	PORT 3
8	BLU/BLK	8	2	2	
19	BLK/ORG	19	7	3	PORT 6
20	ORG/BLK	20	8	6	
29	BLK/GRN	29	5	1	
30	GRN/BLK	30	4	2	
41	BLK/BRN	41	3	3	PORT 7
42	BRN/BLK	42	6	6	
31	GLK/GRY	31	1	1	PORT 4
32	GRY/BLK	32	2	2	
43	YEL/BLU	43	7	3	PORT 8
44	BLU/YEL	44	8	6	
9	YEL/ORG	9	5	1	
10	ORG/YEL	10	4	2	
21	YEL/GRN	21	3	3	PORT 9
22	GRN/YEL	22	6	6	
11	YEL/BRN	11	1	1	PORT 5
12	BRN/YEL	12	2	2	
23	YEL/GRY	23	7	3	PORT 10
24	GRY/YEL	24	8	6	
33	VIO/BLU	33	5	1	
34	BLU/VIO	34	4	2	
45	VIO/ORG	45	3	3	PORT 11
46	ORG/VIO	46	6	6	
35	VIO/GRN	35	1	1	PORT 6
36	GRN/VIO	36	2	2	
47	VIO/BRN	47	7	3	PORT 12
48	BRN/VIO	48	8	6	

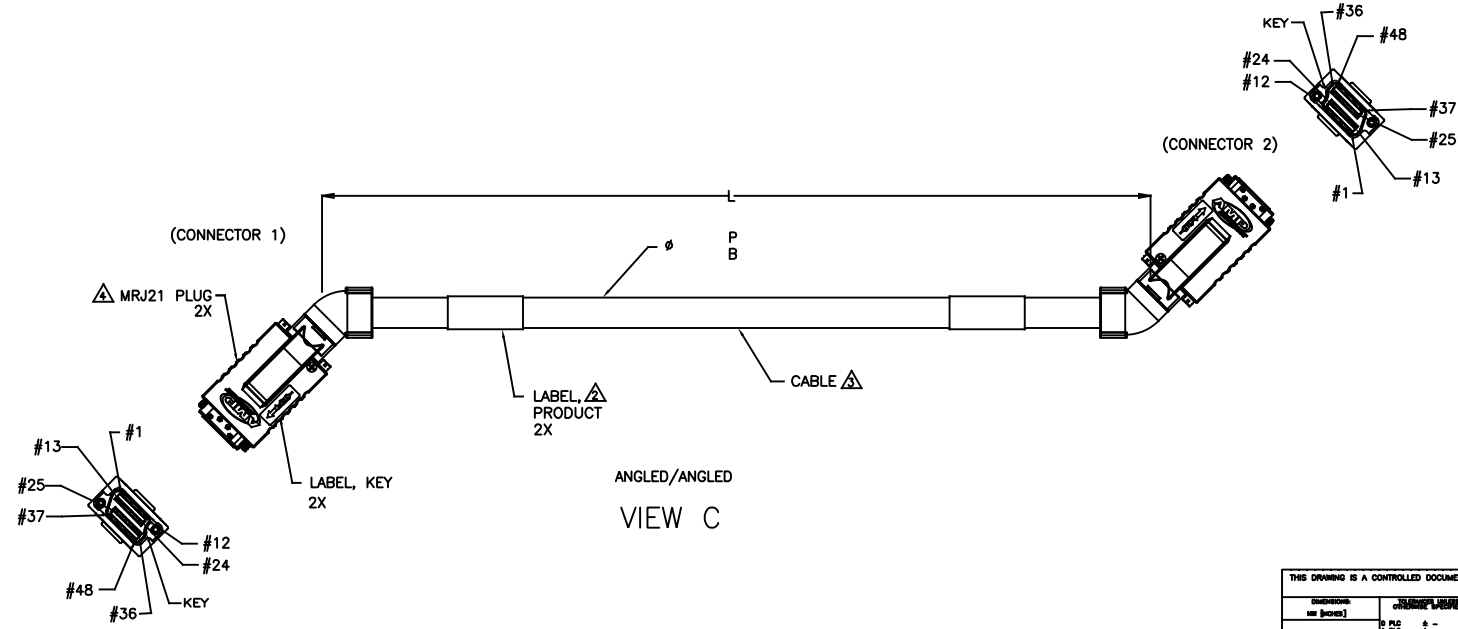
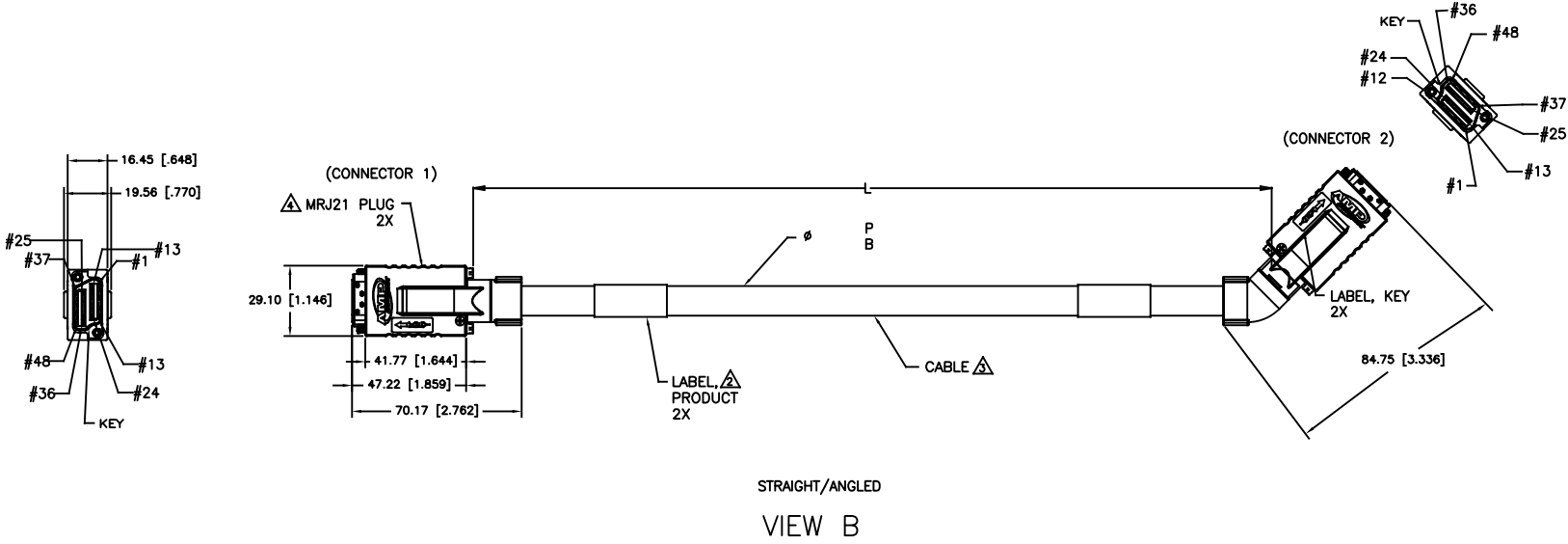
WIRE PATTERN AND LABEL INFORMATION FOR ASSEMBLY TYPES:
 MRJ21--TO--MRJ21
 MRJ21--TO--RJ45 HYDR 6 LEG
 MRJ21--TO--RJ45 HYDR 12 LEG

DETAIL V

THIS DRAWING IS A CONTROLLED DOCUMENT.		BY T. HALL	OFFER#012	COMMSCOPE, INC.	
DESIGNED BY S. JONES		CHKD S. JONES	OFFER#012	CABLE ASSY, MRJ 21/MRJ 21, 10GbE ENTERPRISE NETWORKS	
REV [REVISE]		PROJECT #	408-10469	DRAWING NO.	
APPROVED BY		APPROVAL		SIZE	A1
DATE		DATE		ISSUE NO.	C-2111439
CUSTOMER DRAWING		DATE		REV	2 5 D

THIS DRAWING IS UNCLASSIFIED. RELEASED FOR PUBLICATION
 © 2018 Commscope, Inc. Confidential

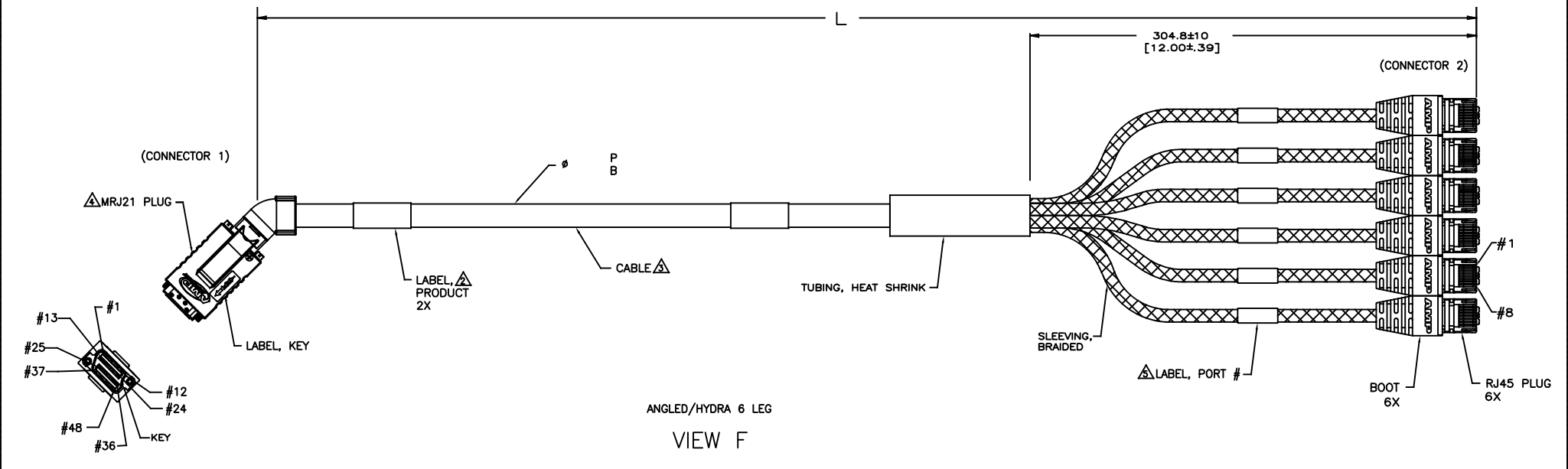
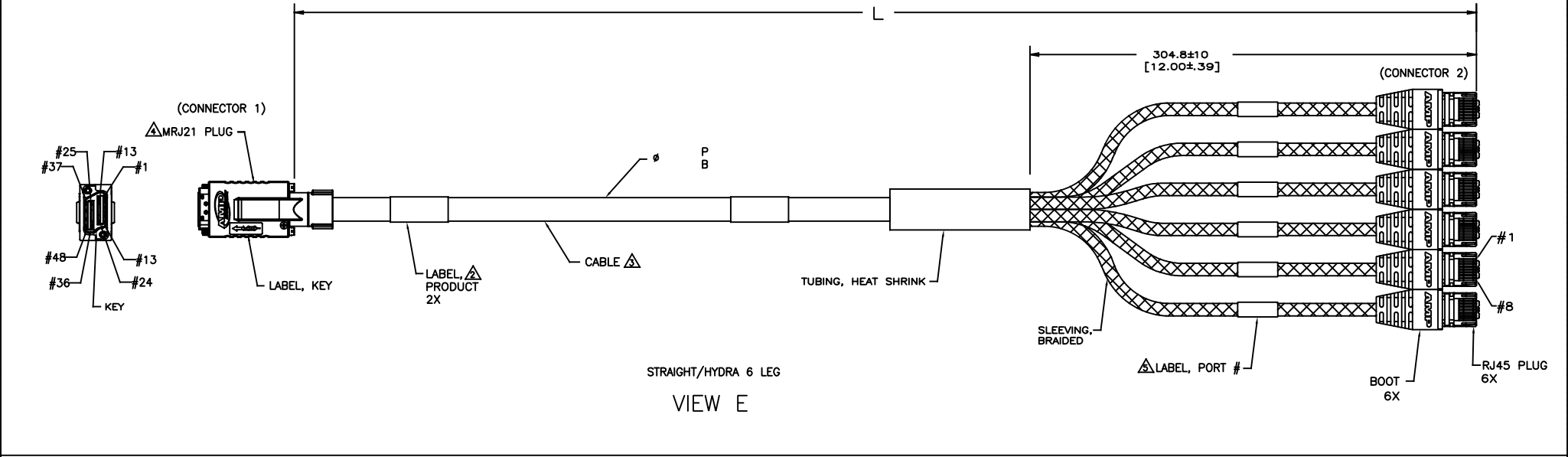
REVISIONS			
P. NO.	DESCRIPTION	DATE	BY/APPV
-	SEE SHEET 1	-	-



THIS DRAWING IS A CONTROLLED DOCUMENT.		BY T. HALL	OFFENSE#12	COMMSCOPE, INC.
APPROVED BY [initials]		CHK S. JONES	OFFENSE#12	
DESCRIPTION CABLE ASSY, MRJ 21/MRJ 21, 10Gb ENTERPRISE NETWORKS		PROJECT # 408-10469	DATE	
APPROVAL		APPROVAL SPEED	SIZE A1	REVISION NO. C-2111439
CUSTOMER DRAWING		SCALE NTS	SHEET 3	TOTAL SHEETS 5

THIS DRAWING IS UNCLASSIFIED. RELEASED FOR PUBLICATION
 © 2018 Commscope, Inc. Confidential

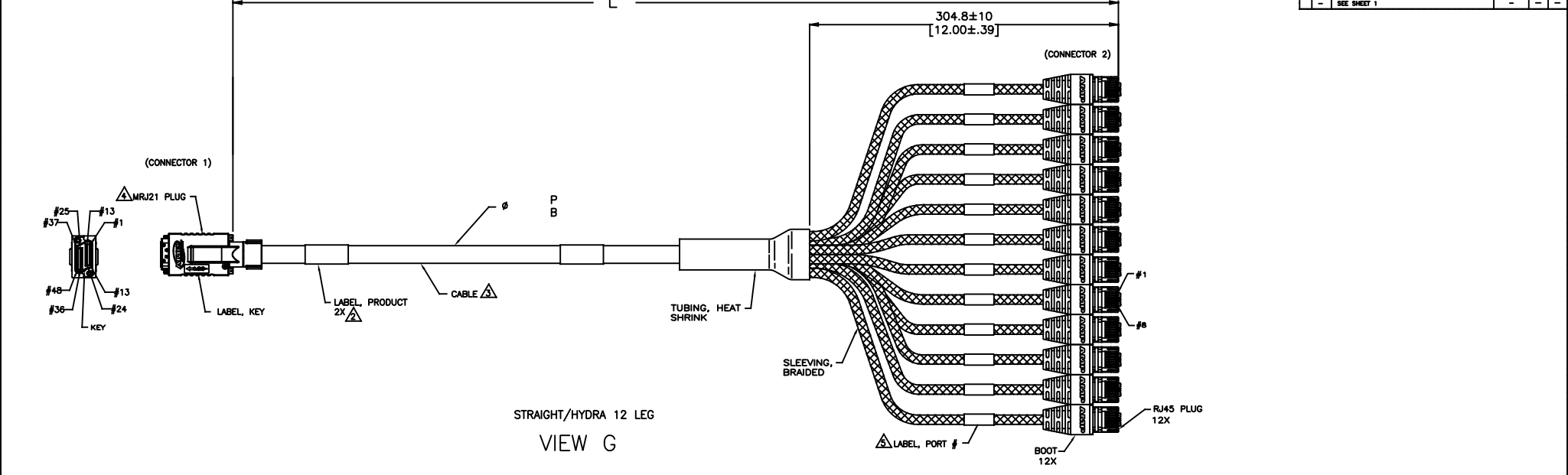
REVISIONS			
P. NO.	DESCRIPTION	DATE	BY/APP.
-	SEE SHEET 1	-	-



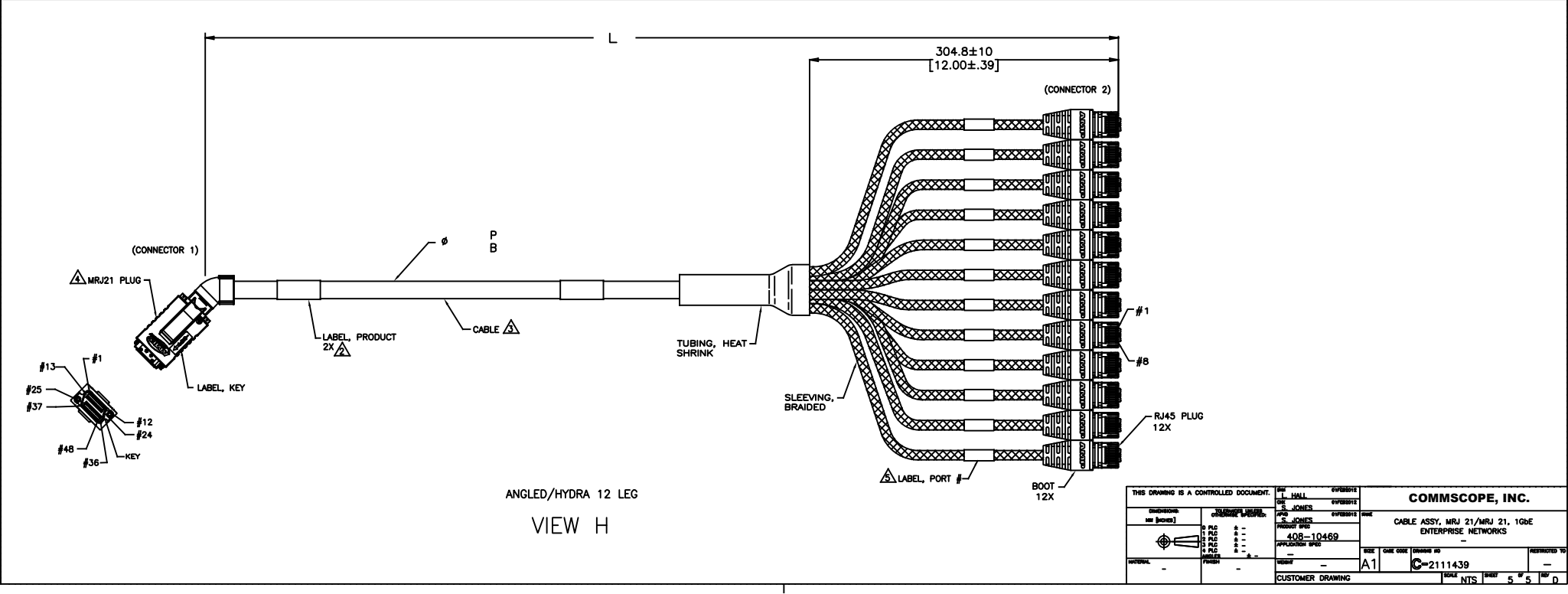
THIS DRAWING IS A CONTROLLED DOCUMENT.		BY: T. HALL	DATE: 07/26/12	COMMSCOPE, INC.
APPROVED: S. JONES		DATE: 07/26/12	408-10469	
DESCRIPTION:	CABLE ASSY, MRJ 21/MRJ 21, 10GbE ENTERPRISE NETWORKS	REV: -	SIZE: A1	DATE: 07/26/12
REV: []	DESCRIPTION:	DATE:	BY:	APPROVED:
1	0 P L C			
2	1 P L C			
3	2 P L C			
4	3 P L C			
5	4 P L C			
6	5 P L C			
7	6 P L C			
8	7 P L C			
9	8 P L C			
10	9 P L C			
11	10 P L C			
12	11 P L C			
13	12 P L C			
14	13 P L C			
15	14 P L C			
16	15 P L C			
17	16 P L C			
18	17 P L C			
19	18 P L C			
20	19 P L C			
21	20 P L C			
22	21 P L C			
23	22 P L C			
24	23 P L C			
25	24 P L C			
26	25 P L C			
27	26 P L C			
28	27 P L C			
29	28 P L C			
30	29 P L C			
31	30 P L C			
32	31 P L C			
33	32 P L C			
34	33 P L C			
35	34 P L C			
36	35 P L C			
37	36 P L C			
38	37 P L C			
39	38 P L C			
40	39 P L C			
41	40 P L C			
42	41 P L C			
43	42 P L C			
44	43 P L C			
45	44 P L C			
46	45 P L C			
47	46 P L C			
48	47 P L C			
49	48 P L C			
50	49 P L C			
51	50 P L C			
52	51 P L C			
53	52 P L C			
54	53 P L C			
55	54 P L C			
56	55 P L C			
57	56 P L C			
58	57 P L C			
59	58 P L C			
60	59 P L C			
61	60 P L C			
62	61 P L C			
63	62 P L C			
64	63 P L C			
65	64 P L C			
66	65 P L C			
67	66 P L C			
68	67 P L C			
69	68 P L C			
70	69 P L C			
71	70 P L C			
72	71 P L C			
73	72 P L C			
74	73 P L C			
75	74 P L C			
76	75 P L C			
77	76 P L C			
78	77 P L C			
79	78 P L C			
80	79 P L C			
81	80 P L C			
82	81 P L C			
83	82 P L C			
84	83 P L C			
85	84 P L C			
86	85 P L C			
87	86 P L C			
88	87 P L C			
89	88 P L C			
90	89 P L C			
91	90 P L C			
92	91 P L C			
93	92 P L C			
94	93 P L C			
95	94 P L C			
96	95 P L C			
97	96 P L C			
98	97 P L C			
99	98 P L C			
100	99 P L C			

THIS DRAWING IS UNCLASSIFIED. RELEASED FOR PUBLIC CONSUMPTION
 © 2016 Commscope, Inc. Confidential

REVISIONS			
P	REV	DESCRIPTION	DATE
-	-	SEE SHEET 1	-



STRAIGHT/HYDRA 12 LEG
 VIEW G



ANGLED/HYDRA 12 LEG
 VIEW H

THIS DRAWING IS A CONTROLLED DOCUMENT.		BY T. HALL	DATE 07/28/15	COMMSCOPE, INC. CABLE ASSY, MRJ 21/MRJ 21, 10GbE ENTERPRISE NETWORKS
DESIGNED BY S. JONES	DATE 07/28/15	CHKD BY S. JONES	DATE 07/28/15	
NO. OF SHEETS 1	OF TOTAL SHEETS 1	PROJECT NO. 408-10469	APPLICATION SPEC. -	SIZE A1
DATE -	ISSUED BY -	REVISED BY -	REVISED DATE -	DRAWING NO. C-2111439
INTERNAL -	EXTERNAL -	CUSTOMER DRAWING	SCALE NTS	SHEET 5