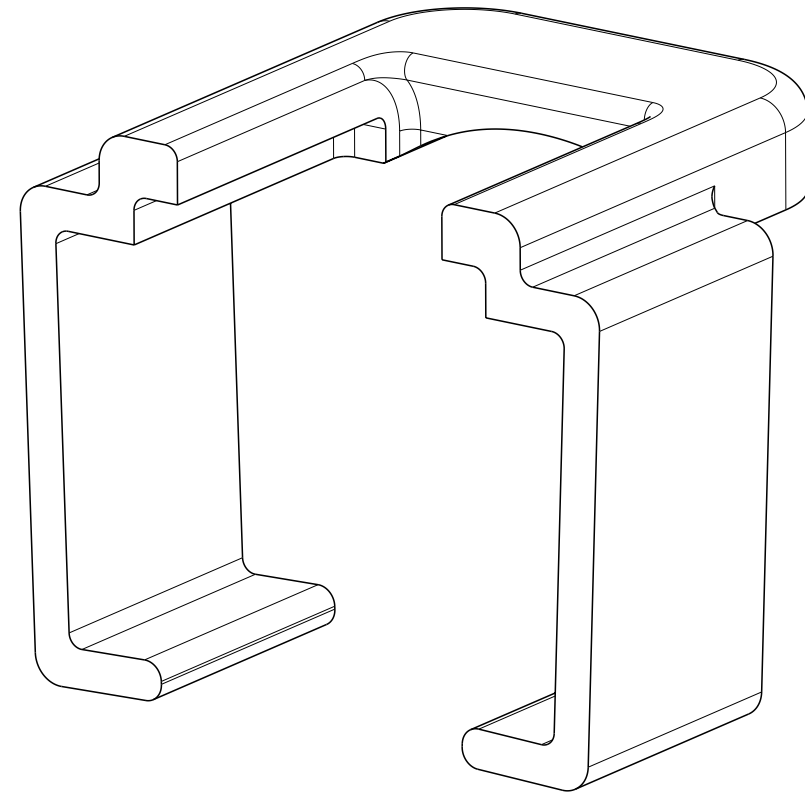
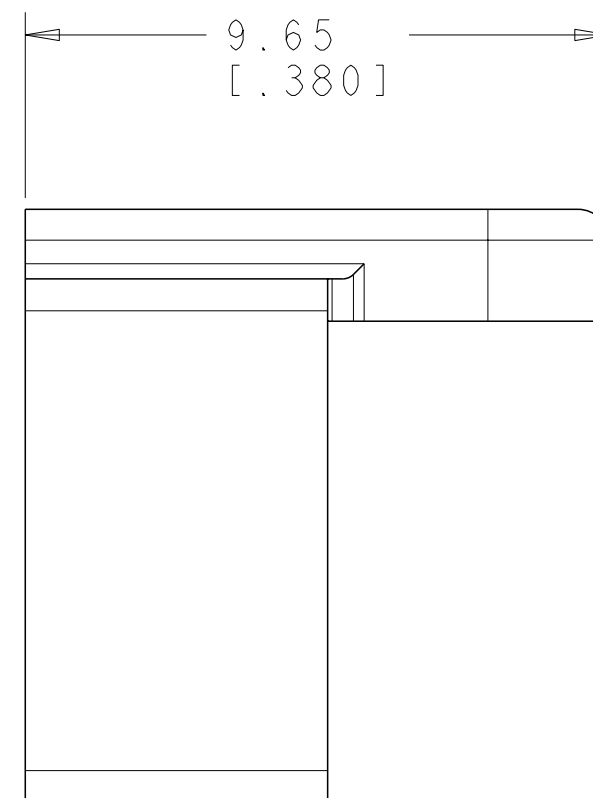
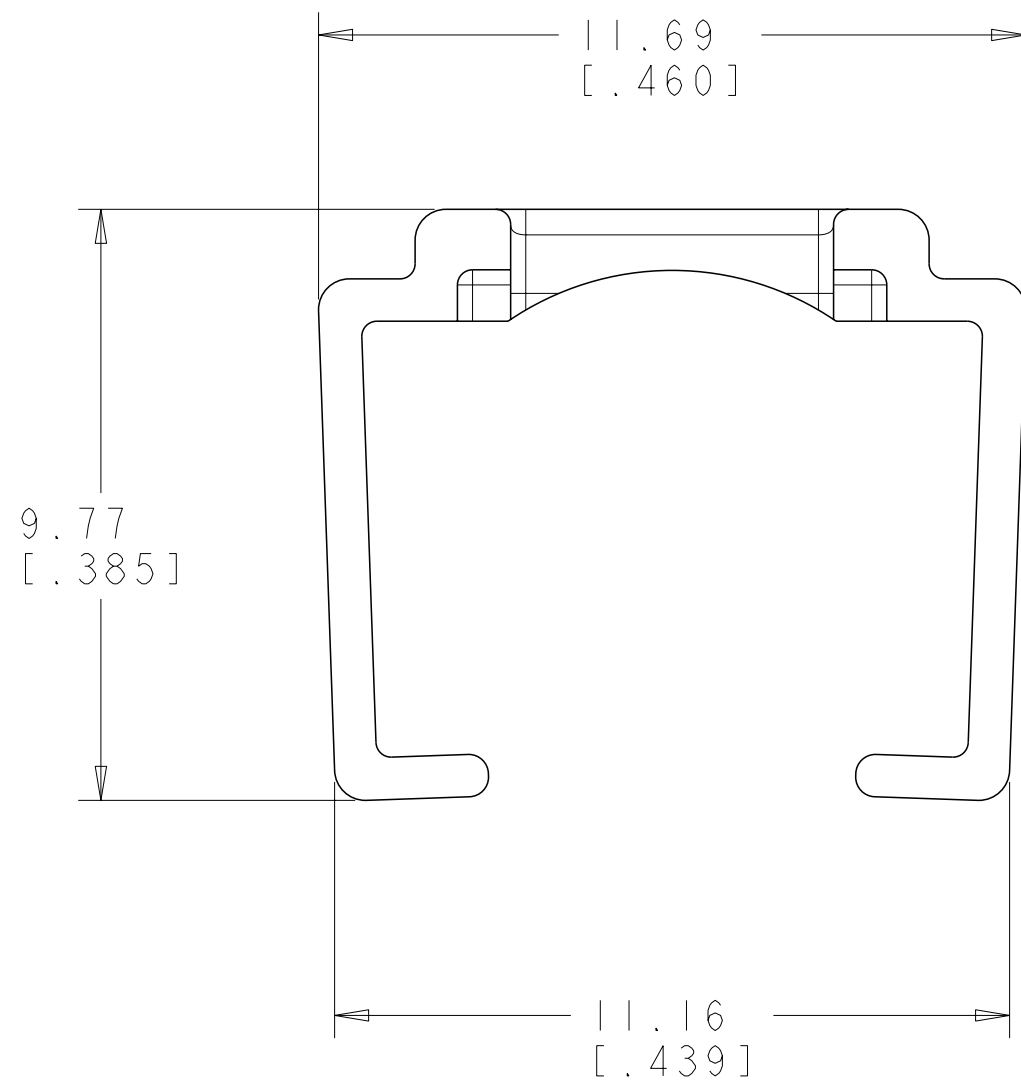


THIS DRAWING IS UNPUBLISHED. RELEASED FOR PUBLICATION
 © 2016 COMMScope, INC. CONFIDENTIAL NOTICE: THESE DRAWINGS AND SPECIFICATIONS ARE THE PROPRIETARY PROPERTY OF COMMScope, INC. AND MAY BE USED ONLY FOR THE SPECIFIC PURPOSE AUTHORIZED IN WRITING BY COMMScope, INC.

REVISIONS				
P	LTR	DESCRIPTION	DATE	APVD
	A	RLSD; 40031553MCO	13JUL2016	GG JG



- 1 MATERIAL: POLYCARBONATE, SEE TABLE FOR COLOR.
- 2 DIMENSIONS ARE NOMINAL.
- 3 PACKAGED 50 PER POLYBAG.



3	GREEN	2843022-9
	YELLOW	2843022-8
	RED	2843022-7
	BLUE	2843022-6
	ORANGE	2843022-5
	NEMA GRAY	2843022-4
	WHITE	2843022-3
	BLACK	2843022-2
	LT ALMOND	2843022-1
PACKAGED	COLOR	PART NUMBER

THIS DRAWING IS A CONTROLLED DOCUMENT.		DWN G. GARRETT 13JULY2016	COMMScope, INC.		
DIMENSIONS: MM [INCHES]		CHK J. GENIAC 13JULY2016			
TOLERANCES UNLESS OTHERWISE SPECIFIED:		APVD J. GENIAC 13JULY2016	NAME - COLOR CODING CLIP, MOD PLUG		
0 PLC ± 1 PLC ± 2 PLC ± 3 PLC ± 4 PLC ± ANGLES ± FINISH -		PRODUCT SPEC -	SIZE A2	CAGE CODE 0079	DRAWING NO C-2843022
MATERIAL 1		APPLICATION SPEC -	RESTRICTED TO -	SCALE 8:1 SHEET 1 OF 1 REV A	
CUSTOMER DRAWING					