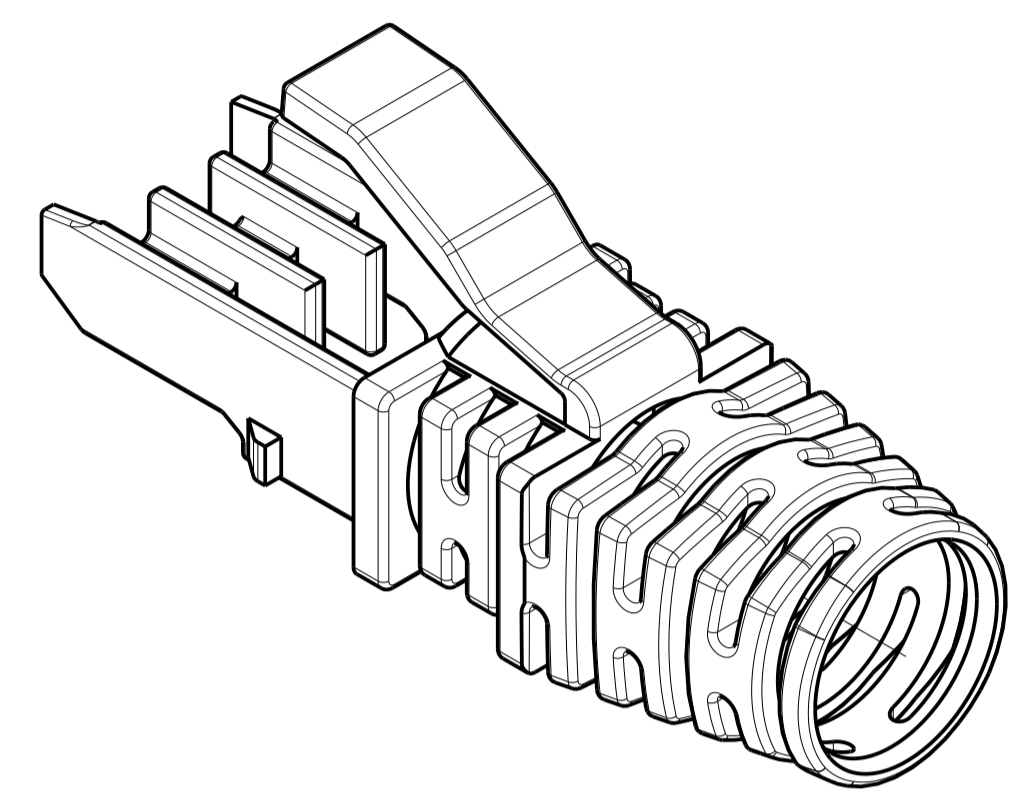


REVISIONS			
REV	DESCRIPTION	DATE	APPROVED
A	RLSD; 40031552MCO	14JUL2016	JG
B	40050973CMO	14NOV2017	LS

MP-6AU-BOOT-

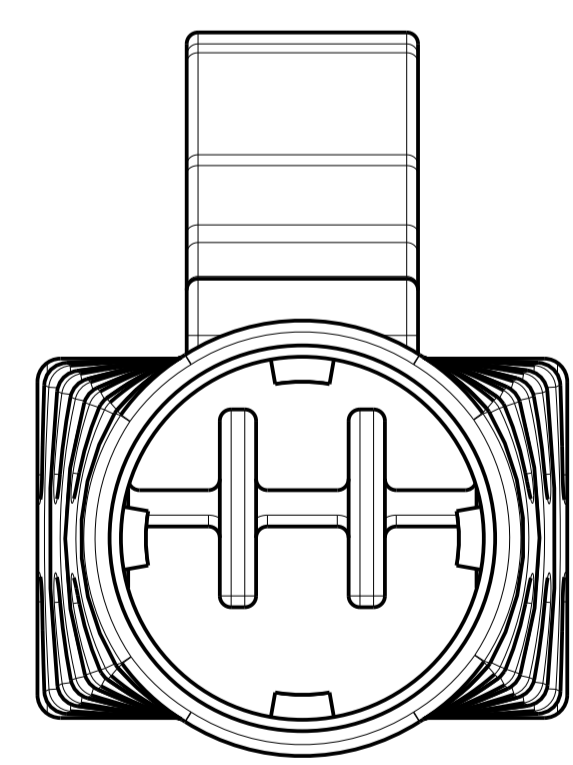
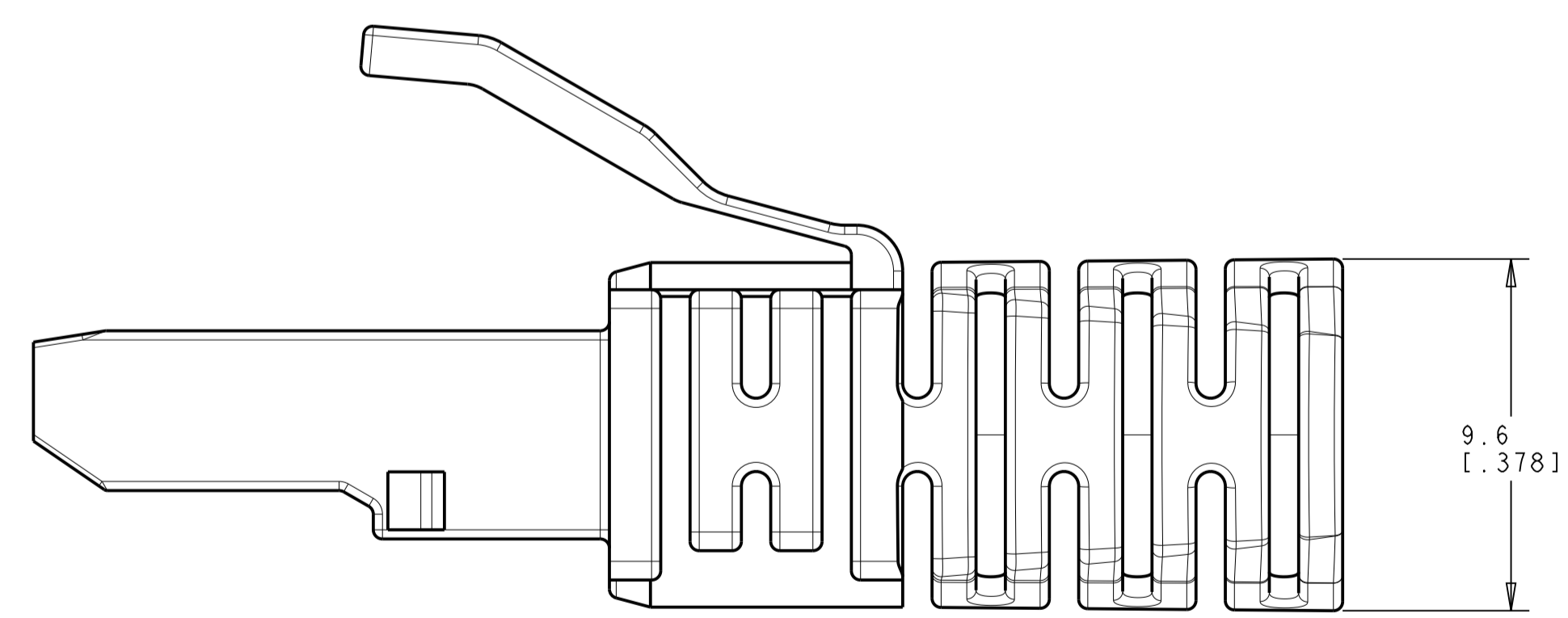
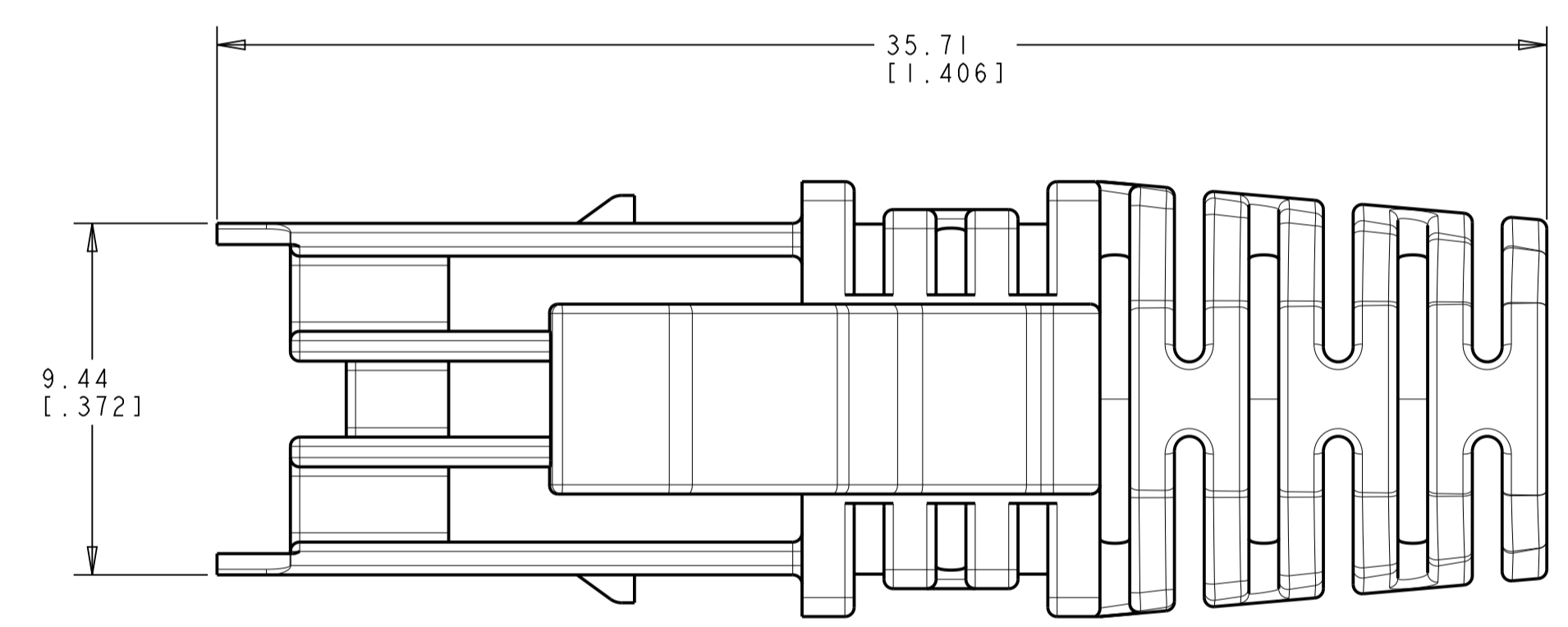
△ MATERIAL - POLYCARBONATE CLEAR.
 △ DIMENSIONS ARE NOMINAL UNLESS OTHERWISE SPECIFIED.



SCALE 4:1

DIAMETER TABLE	
71:	6.80 - 7.40 MM [.268 - .291] IN
65:	6.20 - 6.80 MM [.244 - .268] IN
59:	5.60 - 6.20 MM [.220 - .244] IN
54:	5.10 - 5.70 MM [.201 - .224] IN
51:	4.80 - 5.40 MM [.189 - .213] IN

PACKAGE SIZE
1 : 100



100	4.8-5.4MM [.189-.213]IN	2843023-3	MP-6AU-BOOT-51-I
	5.1-5.7MM [.201-.224]IN	2843021-3	MP-6AU-BOOT-54-I
	5.6-6.2MM [.220-.244]IN	2843020-3	MP-6AU-BOOT-59-I
	6.2-6.8MM [.244-.268]IN	2843019-3	MP-6AU-BOOT-65-I
	6.8-7.4MM [.268-.291]IN	2843018-3	MP-6AU-BOOT-71-I
PACKAGE	CABLE DIAMETER	△ MATERIAL	CATALOG NUMBER

UNITS		mm	COMMSCOPE, INC.	
TOLERANCE	VALUE		DRAFTER	G GARRETT
0 PLC	-		ENGINEER	J GENIAC
1 PLC	-	△	TITLE	BOOT, MODULAR PLUG, 6AU ,
2 PLC	-		SIZE	A
3 PLC	-		SCALE	3:4
4 PLC	-		DOCUMENT NO.	2843018-C
ANGLE TOL	-		REVISION	B
SURFACE TOL	-		SHEET	1 OF 1

CUSTOMER DRAWING