

Simplex Duct Plugs

PRODUCT COMPONENTS

Refer to [Figure 1](#).

PRODUCT SELECTION

1. Determine the inside diameter of the outer duct and the outside diameter of the cable or inner duct. Select the correct plug from [Table 1 on Page 2](#).
2. If the diameter of the cable or inner duct is smaller than the specified range, use a bushing sleeve to build up the cable or inner duct diameter. From [Table 1 on Page 2](#), select a plug with a Bushing Sleeve Series number, and refer to the Bushing Sleeve installation instructions, data sheet, or product catalog for a chart that will provide information required to select the correct bushing sleeve.

INSTALLATION INSTRUCTIONS

Some Simplex duct plugs come with integral bushing sleeves which are designed to be field-split for sealing around in-place cables when needed. Use scissors or snips to split the sleeves.

1. Wipe pipe, conduit, or cable clean with cloth. If bushing is needed, split the bushing and place it around pipe, conduit, or cable. (Do not overlap split on bushing.) See [Figure 2](#).

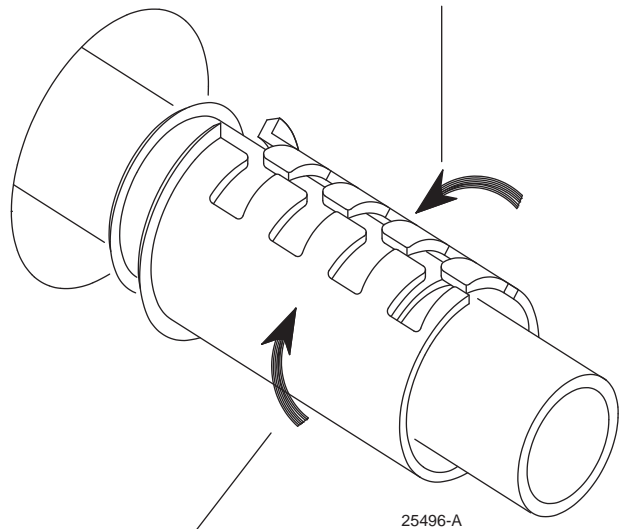


Figure 2

2. Loosen nuts to relieve pressure on gasket.

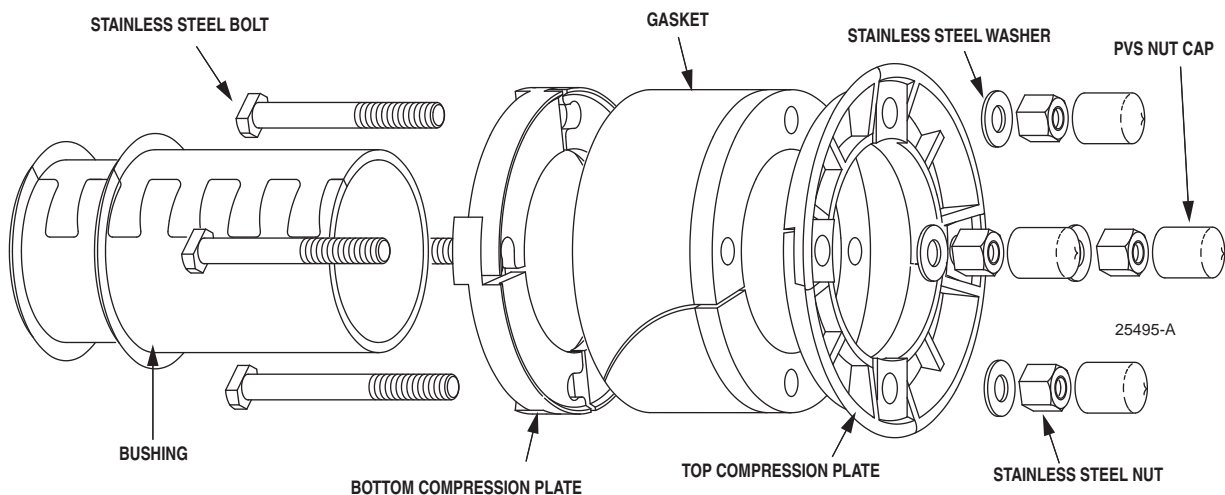


Figure 1

- Open the plug at the split in the gasket. Wrap the plug around the pipe, conduit, or cable (Figure 4).

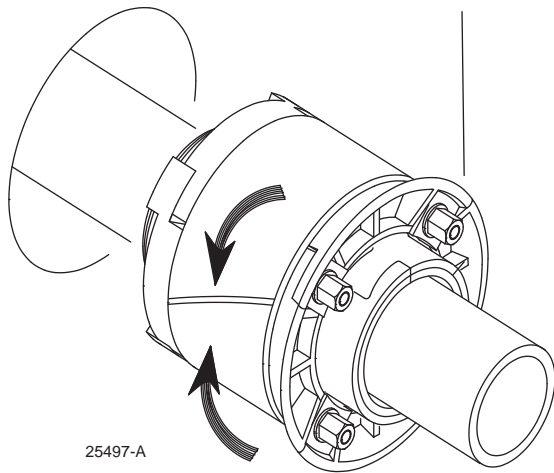


Figure 3

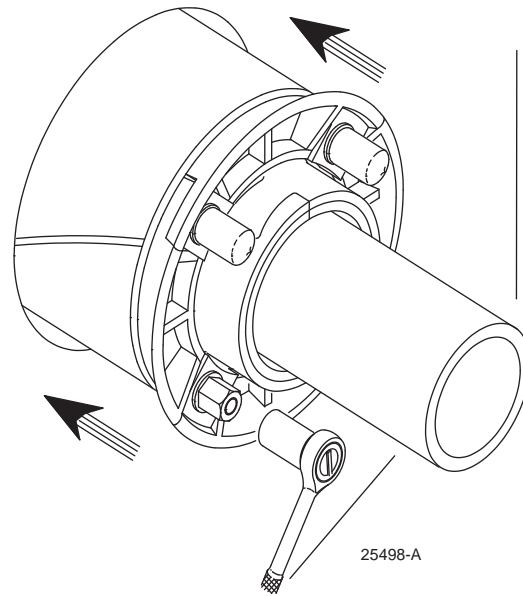


Figure 4

- Insert the plug into the duct (Figure 5). Tighten the nuts clockwise, evenly, with hand tool. Do not exceed 5-6 ft. lbs. Cover each nut with a PVC nut cap.
- Installation complete (Figure 5).

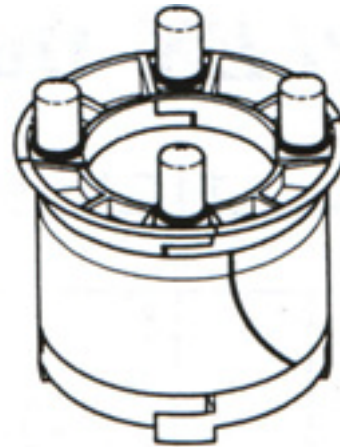


Figure 5



TECHNICAL SUPPORT OR PRODUCT INFORMATION
<http://www.commscope.com/SupportCenter/TechnicalSupport.aspx>

ORDERING INFORMATION

Refer to Table 1. Dimensions are shown in inches and millimeters.

Table 1. Sizes and Specifications

PART NUMBER	PRODUCT DESCRIPTOR*	SIZE	DUCT ID RANGE		CABLE OR DUCT OD RANGE	
			(INCHES)	(MM)	(INCHES)	(MM)
051782	JM-SIM-12S098SG	1.25	1.22-1.34	31.0-34.0	0.83-0.98	21.1-24.9
436486	JM-SIM-21S136SG	2.00	1.98-2.08	50.3-52.8	1.18-1.36	30.0-34.5
A47898	JM-SIM-22S130SG	2.00	2.17-2.28	55.1-57.9	1.14-1.30	29.0-33.0
709460	JM-SIM-25S118SGB	2.50	2.34-2.50	59.4-63.5	1.02-1.18	25.9-29.9
839260	JM-SIM-25S122SG	2.50	2.34-2.50	59.4-63.5	1.06-1.22	27.0-31.0
931720	JM-SIM-25S136SG	2.50	2.34-2.50	59.4-63.5	1.18-1.36	30.0-34.5

Table 1. Sizes and Specifications, continued

PART NUMBER	PRODUCT DESCRIPTOR*	SIZE	DUCT ID RANGE		CABLE OR DUCT OD RANGE	
			(INCHES)	(MM)	(INCHES)	(MM)
773300	JM-SIM-25S157SG	2.50	2.34-2.50	59.4-63.5	1.36-1.57	34.5-39.9
A25424	JM-SIM-26S161SG	2.60	2.60-2.76	66.0-70.1	1.46-1.61	37.1-41.0
368714	JM-SIM-30S136S	3.00	3.03-3.15	77.0-80.0	1.19-1.36	30.2-34.5
230356	JM-SIM-30S157S	3.00	3.03-3.15	77.0-80.0	1.45-1.57	36.8-39.9
168680	JM-SIM-30S177S	3.00	3.03-3.15	77.0-80.0	1.65-1.77	42.0-45.0
295338	JM-SIM-30S196SB	3.00	3.03-3.15	77.0-80.0	1.38-1.96	35.1-49.9
157390	JM-SIM-30S204S	3.00	3.03-3.15	77.0-80.0	1.92-2.04	48.8-51.8
E53152	JM-SIM-30S236SB	3.00	3.07-3.19	78.0-81.0	1.89-2.36	48.0-59.9
A40118	JM-SIM-30S248S	3.00	3.07-3.19	78.0-81.0	2.40-2.48	61.0-63.0
A45271	JM-SIM-30S268S	3.00	3.07-3.19	78.0-81.0	2.60-2.68	66.0-68.0
563104	JM-SIM-30S136A	3.10	3.26-3.37	82.8-85.6	1.19-1.36	30.2-34.5
003944	JM-SIM-30S220AB	3.10	3.26-3.37	82.8-85.6	1.92-2.20	48.8-55.9
362380	JM-SIM-35S236HG	3.40	3.35-3.46	85.1-87.9	2.16-2.36	54.9-59.9
877840	JM-SIM-35S256HG	3.40	3.35-3.46	85.1-87.9	2.36-2.56	59.9-65.0
597066	JM-SIM-35S276HG	3.40	3.35-3.46	85.1-87.9	2.56-2.76	65.0-69.9
330386	JM-SIM-35S287HG	3.40	3.35-3.46	85.1-87.9	2.75-2.87	69.9-72.9
481510	JM-SIM-35S136S	3.50	3.49-3.65	88.6-92.7	1.19-1.36	30.2-34.5
492454	JM-SIM-35S157S	3.50	3.49-3.65	88.6-92.7	1.42-1.57	36.1-39.9
970970	JM-SIM-35S196SB	3.50	3.49-3.65	88.6-92.7	1.38-1.96	35.1-49.8
019902	JM-SIM-35S216S	3.50	3.49-3.65	88.6-92.7	2.04-2.17	51.8-55.1
186964	JM-SIM-35S236S	3.50	3.49-3.65	88.6-92.7	2.24-2.36	56.9-59.9
452266	JM-SIM-35S256SB	3.50	3.49-3.65	88.6-92.7	1.92-2.56	48.8-65.0
645218	JM-SIM-35S276SB	3.50	3.44-3.62	87.4-91.9	2.44-2.75	62.0-69.9
408856	JM-SIM-35S291SB	3.50	3.44-3.62	87.4-91.9	2.68-2.91	68.1-73.9
D13577	JM-SIM-35S196AB	3.50	3.66-3.78	93.0-96.0	1.38-1.96	35.0-49.8
998734	JM-SIM-35S256AB	3.50	3.66-3.78	93.0-96.0	1.92-2.56	48.8-65.0
011554	JM-SIM-40S256HG	3.80	3.74-3.99	95.0-101.3	2.36-2.56	59.9-65.0
996942	JM-SIM-40S276HG	3.80	3.74-3.99	95.0-101.3	2.56-2.75	65.0-69.9
407354	JM-SIM-40S291HG	3.80	3.74-3.99	95.0-101.3	2.75-2.90	69.9-73.7
403620	JM-SIM-40S303HG	3.80	3.74-3.99	95.0-101.3	2.90-3.03	73.7-77.0
NORPN	JM-SIM-40S315HG	3.80	3.74-3.99	95.0-101.3	3.03-3.15	77.0-80.0
822802	JM-SIM-40S327HG	3.80	3.74-3.99	95.0-101.3	3.14-3.26	79.8-82.8
260212	JM-SIM-40S118S	4.00	3.93-4.16	99.8-105.7	1.06-1.18	26.9-30.0
453966	JM-SIM-40S136S	4.00	3.93-4.16	99.8-105.7	1.19-1.36	30.2-34.5
738840	JM-SIM-40S196SB	4.00	3.93-4.16	99.8-105.7	1.38-1.96	35.1-49.8
717488	JM-SIM-40S216S	4.00	3.93-4.16	99.8-105.7	2.04-2.17	51.8-55.1
035344	JM-SIM-40S236S	4.00	3.93-4.16	99.8-105.7	2.24-2.36	56.9-59.9

Table 1. Sizes and Specifications, continued

PART NUMBER	PRODUCT DESCRIPTOR*	SIZE	DUCT ID RANGE		CABLE OR DUCT OD RANGE	
			(INCHES)	(MM)	(INCHES)	(MM)
826670	JM-SIM-40S256SB	4.00	3.93-4.16	99.8-105.7	1.92-2.56	48.8-65.0
157056	JM-SIM-40S291SB	4.00	3.93-4.16	99.8-105.7	2.56-2.91	65.0-73.9
486170	JM-SIM-40S327SB	4.00	3.93-4.16	99.8-105.7	2.91-3.27	73.9-83.1
013852	JM-SIM-40S136A	4.10	4.16-4.34	105.7-110.2	1.19-1.36	30.2-34.5
718012	JM-SIM-40S177A	4.10	4.16-4.34	105.7-110.2	1.65-1.77	41.9-45.0
A80119	JM-SIM-40S196A	4.10	4.16-4.34	105.7-110.2	1.85-1.96	47.0-49.8
508516	JM-SIM-40S196AB	4.10	4.16-4.34	105.7-110.2	1.38-1.96	35.1-49.8
102890	JM-SIM-40S256AB	4.10	4.16-4.34	105.7-110.2	1.92-2.56	48.8-65.0
061240	JM-SIM-40S291AB	4.10	4.16-4.34	105.7-110.2	2.64-2.91	67.0-73.9
100962	JM-SIM-40S315AB	4.10	4.16-4.34	105.7-110.2	2.56-3.15	65.0-80.0
072060	JM-SIM-40S327A	4.10	4.16-4.34	105.7-110.2	3.15-3.27	80.0-83.1
C84258	JM-SIM-50S157HG	4.80	4.88-5.00	124.0-127.0	1.46-1.57	37.1-39.9
176020	JM-SIM-50S196SB	5.00	5.04-5.35	128.0-135.9	1.38-1.96	35.1-49.8
330078	JM-SIM-50S236S	5.00	5.04-5.35	128.0-135.9	2.24-2.36	56.9-59.9
900062	JM-SIM-50S256SB	5.00	5.04-5.35	128.0-135.9	1.92-2.56	48.8-65.0
963346	JM-SIM-50S373SGB	5.00	5.04-5.35	128.0-135.9	3.15-3.73	80.0-94.7
A23952	JM-SIM-55S120SG	5.50	5.47-5.63	138.9-143.0	1.10-1.22	27.9-31.0
852656	JM-SIM-60S196HGB	5.80	5.79-5.98	147.1-151.9	1.38-1.96	35.1-49.8
037806	JM-SIM-60S196SGB	6.00	5.98-6.30	151.9-160.0	1.38-1.96	35.1-49.8
533506	JM-SIM-60S244SG	6.00	5.98-6.30	151.9-160.0	2.28-2.44	57.9-62.0
120846	JM-SIM-60S256SGB	6.00	5.98-6.30	151.9-160.0	1.92-2.56	48.8-65.0
596370	JM-SIM-60S315SGB	6.00	5.98-6.30	151.9-160.0	2.56-3.15	65.0-80.0
338552	JM-SIM-60S373SGB	6.00	5.98-6.30	151.9-160.0	3.15-3.73	80.0-94.7
A25212	JM-SIM-60S413SGB	6.00	5.98-6.30	151.9-160.0	3.75-4.13	95.3-104.9
238276	JM-SIM-60S450SGB	6.00	5.98-6.30	151.9-160.0	4.29-4.49	109.0-114.00
358478	JM-SIM-68S504SG	7.00	6.85-7.05	174.0-179.1	4.88-5.04	124.0-128.0
F77121	JM-SIM-70S550SG	7.00	7.09-7.28	180.1-184.9	5.39-5.55	136.9-141.0
976404	JM-SIM-80S504SG	8.00	7.87-8.03	199.9-204.0	4.88-5.04	124.0-128.0
181552	JM-SIM-80S591SG	8.00	7.91-8.07	201.0-205.0	5.75-5.91	146.1-150.0
901700	JM-SIM-80S669SG	8.00	7.83-8.00	198.9-203.2	6.50-6.69	165.1-169.9

***Suffix Descriptor:** S = standard PVC and PE ducts (ID); A= oversize duct (ID); H = undersize ducts (ID); HH = undersize ducts and overlap gasket; B = duct plugs with inner bushing; G = duct plugs with coated metal compression plates; # = ports with different ID; H = hold plug included.

Note: To accommodate cables and inner ducts with smaller diameters, refer to the bushing data sheet.

Example: 4.0 inch duct, 1.10 cable - select JM-SIM-40B136S and bushing JM-BUS-136JMB110 to reduce port size.