

Wall/Roof Feed-through Plates for Waveguides and Cables



Description

These plates (see Figure 1) are designed for installation in a wall or roof of a building to provide openings for waveguides or cables. Each protruding flange accepts either a flange cap (supplied) when the opening is not

used, or a boot assembly (not supplied) for the particular waveguide or cable. The mounting hardware supplied includes no. 14 wood screws, finishing washers, and screw anchors.

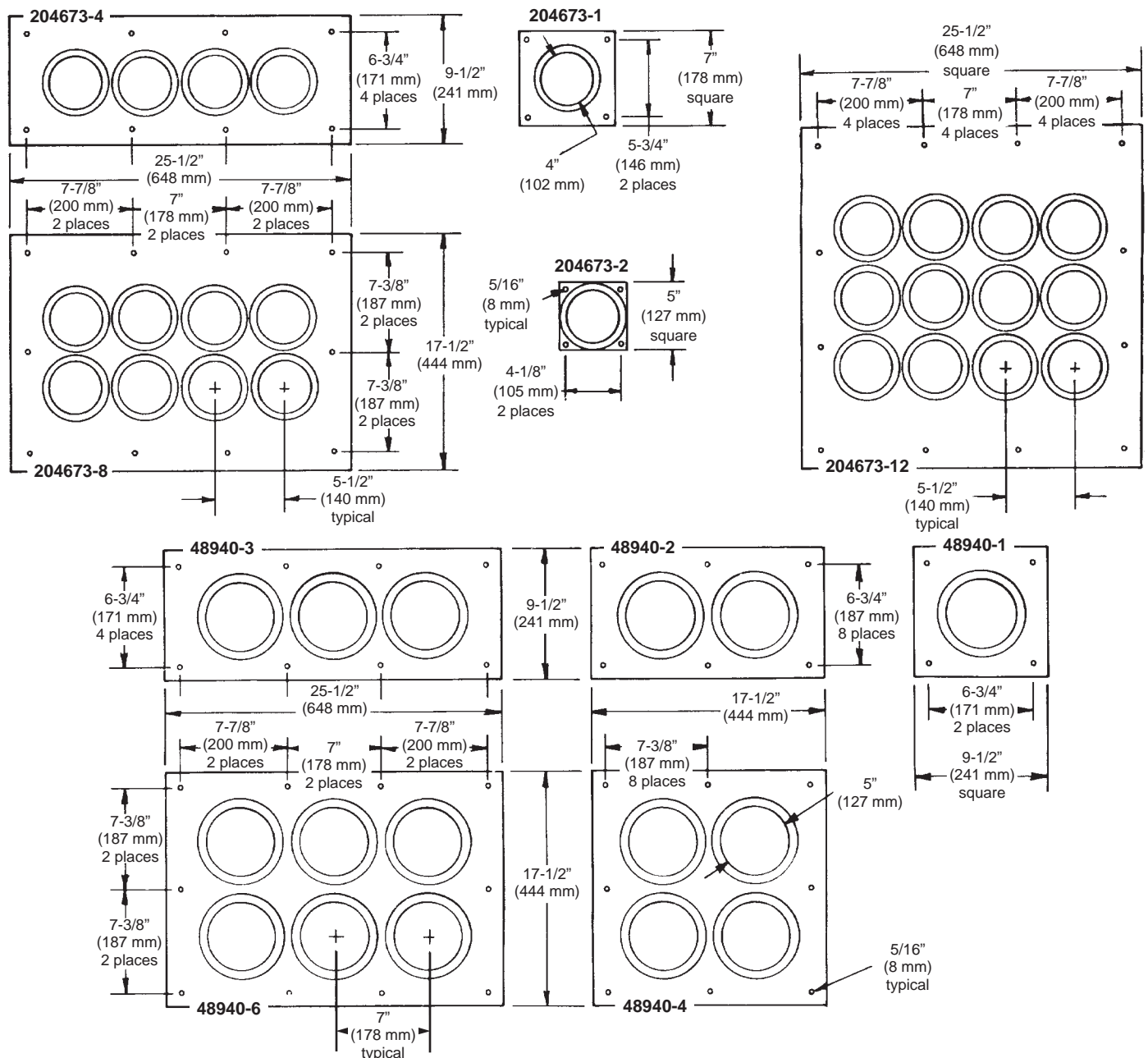


Figure 1. Feed-through Plate Variations and Dimensions

The application of weather-resistant sealant around the plate and the clamping of the waveguide or cable by the rubber boot assemblies prevent the entry of moisture into the building. The plates can be mounted on both interior and exterior building surfaces when good installation appearance is desired and when building thermal insulation must be contained between the plates.

Recommended Tools and Materials

Masonry chisel	Cross-cut saw
Hammer	Exterior sealant
Nails	Weather-resistant vinyl tape
Screwdriver	Pressure-treated, 2" x 6" lumber
Electric drill	Flashing
Drill bit, 5/16" (8 mm)	
Sabre saw	

Notice

The installation, maintenance, or removal of antenna systems requires qualified, experienced personnel. Andrew installation instructions have been written for such personnel. Antenna systems should be inspected once a year by qualified personnel to verify proper installation, maintenance, and condition of equipment.

Andrew disclaims any liability or responsibility for the results of improper or unsafe installation practices.

Wall Installation

Masonry. Remove enough block or brick and mortar to provide an opening 5/8" (16 mm) smaller on all sides than the overall dimension of the plate. Build a wooden frame and force it into the opening. Use pressure treated, 2" x 6" lumber so that there is approximately 1-1/2" (38 mm) minimum of surface for attachment of the plate screws. Anchor the frame to the masonry.

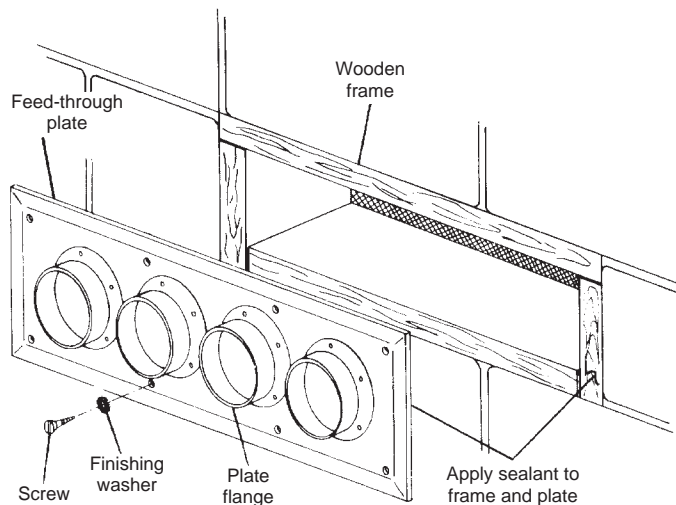


Figure 2. Masonry Wall Installation Details

Apply a good grade of exterior sealant (not supplied) along the mounting surfaces of the frame and the plate. Position the plate on the frame and fasten it with screws and finishing washers as shown in Figure 2. Apply a bead of sealant along the sides and top of the plate and any exposed frame-masonry joints. Also cover the mounting screws with sealant.

Metal, Wood, or Plastic. Position the plate on the wall using a level and mark the wall with a pencil for all of the holes in the plate. Cut the large holes first and then drill the 5/16" (8 mm) mounting holes 1-3/8" (35 mm) deep. For plastic or metal walls, force screw anchors into the mounting holes. Attach the plate with the screws and finishing washers provided. If other mounting hardware must be used, include the finishing washers provided.

Apply sealant to the plate edges and mounting screws as described for masonry.

Roof Installation

Lay the plate on the desired location and mark the outline of the plate on the roof surface. Then mark a second outline that is 2-1/8" (54 mm) smaller than the plate outline on all four sides. Cut the opening in the roof along this smaller outline.

Build a wooden frame along the edge of the opening with pressure-treated, 2" x 6" lumber as shown in Figure 3. Apply a good grade of exterior sealant to the underside of the frame before it is fastened in place. Fasten metal flashing to the outside of the frame and seal the flashing to the roof with tar.

Apply the exterior sealant to the top surface of the frame and along the matching surface on the underside of the plate. Mount the plate on the frame and fasten it with the screws and finishing washers provided. Cover the mounting screws and any exposed wood with sealant.

Waveguide or Cable and Boot Installation

Pass the waveguide or cable through the appropriate hole in the plate. Place the boot cushion on the waveguide or cable and the two halves of the boot jacket on the cushion. Refer to Figure 4. Slide the assembly onto the plate flange and add the two clamps to hold the assembly in place.

Make sure that the joined ends of the cushion and the jacket are aligned with each other and parallel to the long dimension of the plate. The assembly should appear as shown in Figure 5. Tighten first the flange clamp and then the cushion clamp.

Slide flange caps onto any unused plate flanges and secure them with weather-resistant vinyl tape (not supplied) as shown in Figure 5.

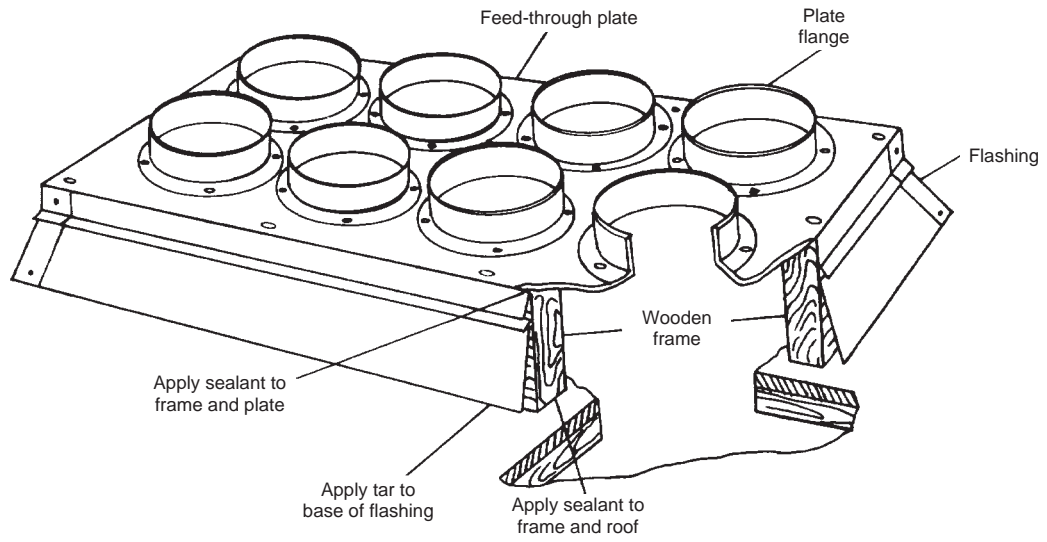


Figure 3. Roof Installation Details

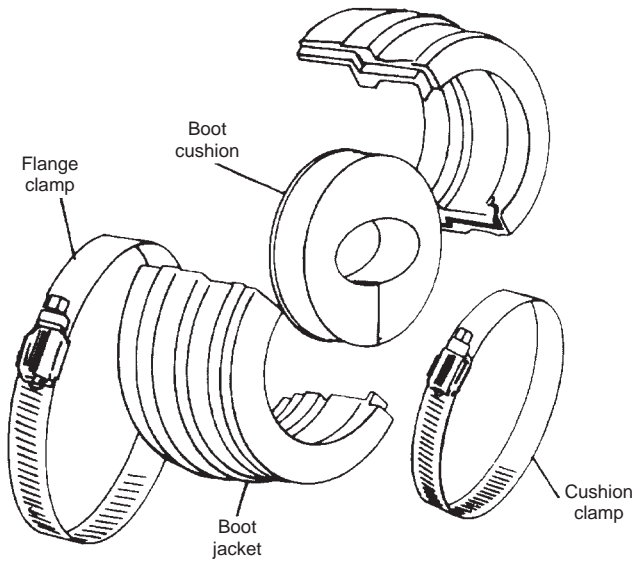


Figure 4. Boot Assembly

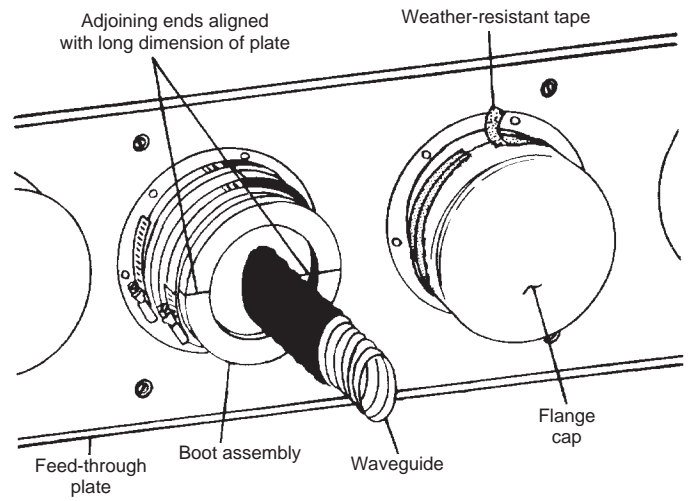


Figure 5. Boot and Cap Assembly Details



Andrew Corporation
10500 West 153rd Street
Orland Park, IL U.S.A. 60462

Telephone: 708/349-3300
FAX (U.S.A.): 1-800/349-5444
TELEX: 25-3897

Customer Service, 24 hours: U.S.A. • Canada • Mexico: 1-800/255-1479
U.K.: 0800 250055 • Republic of Ireland: 1 800 535358
Other Europe: +44 592 782 612

Printed in U.S.A. 11/95

Copyright © 1995 by Andrew Corporation