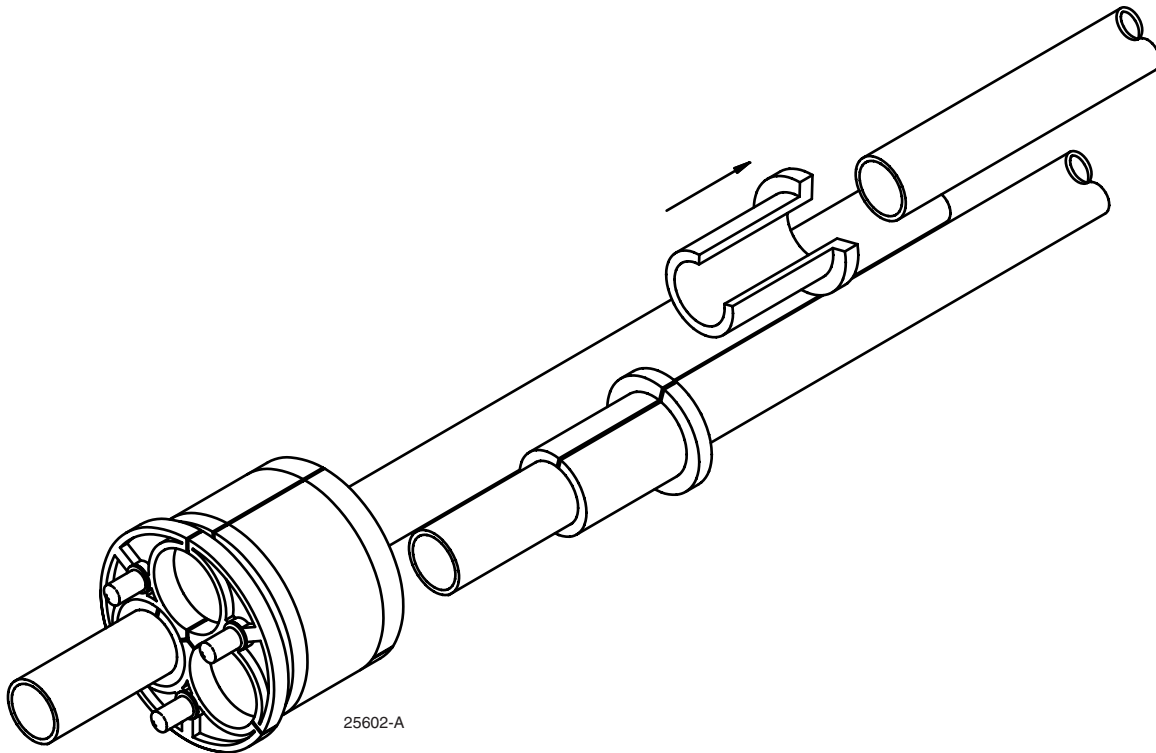


Bushing Sleeves



Installation Instructions:

1. In lateral In lateral conduit installations, wrap bushing sleeve(s) around each cable before wrapping the plug around the bushing(s). Position flange end of bushing toward the conduit openings as shown.
2. At the tops of risers, install the plug first and position the bushing(s) around cable(s) with their flanged end pointed upward. Slide bushing along the cable into the space between the cable and plug.

Note: Bushing sleeves generally will seal cables or other content 0.005" to 0.008" smaller than the indicated bushing hole diameter dimension, depending upon cable and pipe configuration.

TECHNICAL SUPPORT OR PRODUCT INFORMATION
<http://www.commscope.com/SupportCenter/TechnicalSupport.aspx>

PATENTS
<http://www.commscope.com/ProductPatent/ProductPatent.aspx>