

Installation Instructions

Strut Assembly

for 3ft (1.0m) antennas ValuLine



Bulletin 7616690 page 1 of 3

Version 03 Status RT Rev D

Model Version 02 Status RT Rev C

Andrew Institute offers installation training.

Description

This strut assembly has been designed to attach to a 3ft (1.0m) ValuLine antenna. Strut assemblies increase rigidity to the antenna installation.



Main Hazards – Health Effects

Eyes: May cause irritation.

Inhalation: Viscous nature may block breathing passages if inhaled.

Ingestion: May cause diarrhoea.

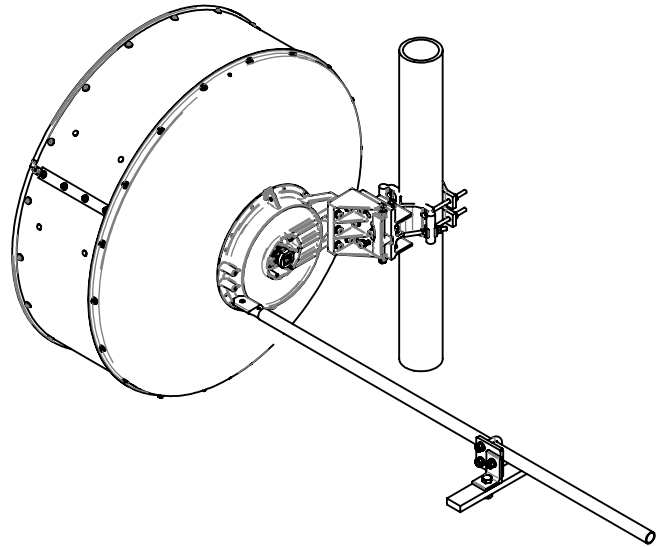
Skin: For hypersensitive persons, may irritate the skin after long periods of contact.

Respiratory Protection: None needed.

Hand Protection: Protective gloves for hypersensitive persons.

Eye Protection: Glasses, if applied to parts in motion.

Body Protection: Overalls.



Notice

The installation, maintenance or removal of antenna systems requires qualified, experienced personnel. Andrew installation instructions have been written for such personnel. Antenna systems should be inspected once a year by qualified personnel to verify proper installation, maintenance and condition of equipment

Andrew disclaims any liability or responsibility for the results of improper or unsafe installation practices.

Table 2. fastener Torque Specifications

Fastener Torque value in NM (lb.ft) for each fastener size						
Size	M5	M6	M8	M10	M12	M16
Stainless Steel	4.5 (3.3)	7.7 (5.7)	18.7 (13.8)	39.2 (28.9)	65.1 (48.0)	161 (118.7)
Galvanised Steel	2.7 (2.0)	4.5 (3.3)	11.1 (8.1)	22.0 (16.2)	38.0 (28.0)	95.0 (70.1)

Table 1. Parts List

Item	Description	Qty
1	Strut Attachment Plate	1
2	M10 SHCS 30lg, st st	2
3	M10 Flat Washer, st st	2
4	M10 Lock Washer, st st	2
5	Strut	1
6	M12 Hex Hd Screw, 35lg, galv	2
7	M12 Flat Washer, galv	5
8	M12 Lock Washer, galv	3
9	M12 Hex Nut, galv	6
10	Anchor Plate	1
11	M12 U Bolt c/w nuts & washers, galv	1
12	ANGLE BRACKET	1
13	M16 Hex Hd Screw, 50lg, galv	1
14	M12 C'sk Hd Screw, 40lg, galv	1
15	M16 Flat Washer, galv	1
16	M16 Lock Washer, galv	1
17	M16 Hex Nut, galv	1
18	Clamp Bracket	2
19	M12 HCS, Hex Screw, 140lg, Stl, galv	1
20	M12 Screw, SKT C'SK, 160lg, Stl, galv	1

Andrew Wireless Solutions

Customer Service 24 hours
U.S.A., Canada, Mexico: 1-800-255-1479
or 1-888-235-5732
U.K.: 0800 250055
Other Europe: +44 592 782 612

www.andrew.com

Visit our Web site at www.andrew.com or contact your local Andrew Wireless Solutions representative for more information.
© 2008 CommScope, Inc. All rights reserved.
Andrew Wireless Solutions is a trademark of CommScope. All trademarks identified by ® or ™ are registered trademarks or trademarks, respectively, of CommScope. This document is for planning purposes only and is not intended to modify or supplement any specifications or warranties relating to Andrew Wireless Solutions products or services.

Notice: Andrew disclaims any liability or responsibility for the results of improper or unsafe installation, inspection, maintenance, or removal practices.
Aviso: Andrews no acepta ninguna obligación ni responsabilidad como resultado de practicas incorrectas o peligrosas de instalacion, inspección, mantenimiento o retire.
Avis : Andrew decline toute responsabilité pour les consequences de procedures d'installation, d'inspection, d'entretien ou de retrait incorrectes ou dangereuses.
Hinweis: Andrew lehnt jede Haftung Oder Verantwortung für Schaden ab, die aufgrund unsachgemäß Installation, Überprüfung, Wartung Oder Demontage auftreten.
Atencao: A Andrew abdica do direito de toda responsabilidade pelos resultados de praticas inadequadas e sem segurancia de instalacao, inspecao, manutençao ou remocao.
Awertenza: Andrew declina eventual! responsabilita denvanti dell'esecuzione di procedure di installazione, ispezione, manutenzione e smontaggio improprie o poco sicure.

注意：Andrew 公司申明對於不恰當或不安全的安裝、檢驗、維修或拆卸操作所導致的後果不負任何義務和責任



Installation Instructions

Strut Assembly

for 3ft (1m) antennas ValuLine



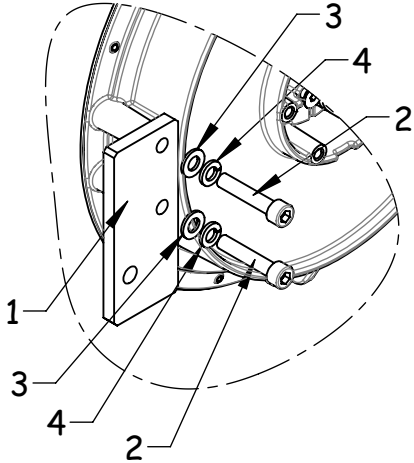
Bulletin 7616690 page 2 of 3

Version 03 StatusRT Rev D

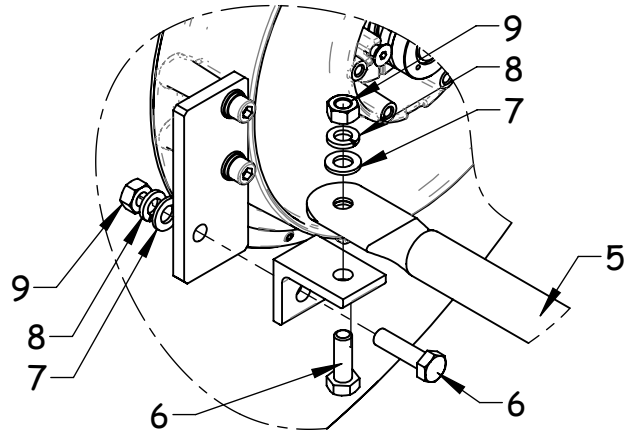
Model Version 02 StatusRT Rev C

Andrew Institute offers installation training.

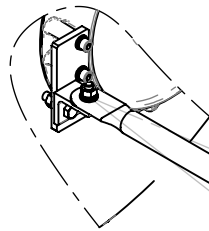
- 1** Strut to be loosely fitted (see step 2 & 4) until alignment is complete, then tighten all fixings to a torque of 38Nm.



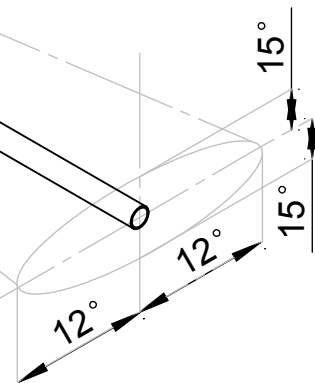
2



- 3** Limits of strut position for attachment to tower member



Strut envelope may be restricted depending on radio integration.



Andrew Wireless Solutions

Customer Service 24 hours

U.S.A., Canada, Mexico: 1-800-255-1479
or 1-888-235-5732
U.K.: 0800 250055
Other Europe: +44 592 782 612

www.andrew.com

Visit our Web site at www.andrew.com or contact your local Andrew Wireless Solutions representative for more information.
© 2008 CommScope, Inc. All rights reserved.

Andrew Wireless Solutions is a trademark of CommScope. All trademarks identified by ® or ™ are registered trademarks or trademarks, respectively, of CommScope. This document is for planning purposes only and is not intended to modify or supplement any specifications or warranties relating to Andrew Wireless Solutions products or services.

Notice: Andrew disclaims any liability or responsibility for the results of improper or unsafe installation, inspection, maintenance, or removal practices.
Aviso: Andrews no acepta ninguna obligacion ni responsabilidad como resultado de practicas incorrectas o peligrosas de instalacion, inspeccion, mantenimiento o retire.
Avis: Andrew decline toute responsabiite pour les consequences de procedures d'installation, d'inspection, d'entretien ou de retrait incorrectes ou dangereuses.
Hinweis: Andrew lehnt jede Haftung Oder Verantwortung fur Schaden ab, die aufgrund unsachgemaBer Installation, Uberprufung, Wartung Oder Demontage auftreten.
Atencao: A Andrew abdica do direito de toda responsabilidade pelos resultados de praticas inadequadas e sem seguranca de instalacao, inspecao, manutencao ou remocao.
Awertenza: Andrew declina eventual! responsabilita denvanti dell'esecuzione di procedure di installazione, ispezione, manutenzione e smontaggio improprie o poco sicure.

注意: Andrew 公司申明對於不恰當或不安全的安裝、檢驗、維修或拆卸操作所導致的後果不負任何義務和責任



Installation Instructions

Strut Assembly

for 3ft (1m) antennas ValuLine



Bulletin 7616690 page 3 of 3

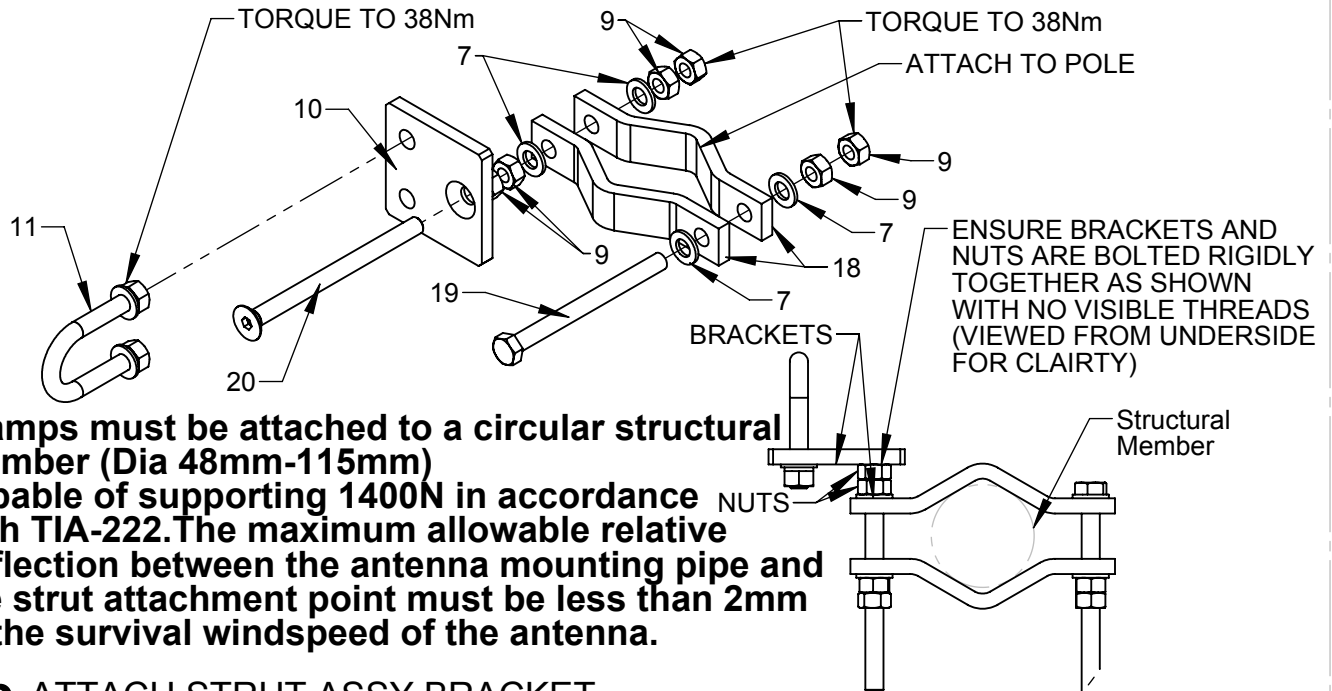
Version 03 StatusRT Rev D

Model Version 02 StatusRT Rev C

Andrew Institute offers installation training.

4a ATTACH STRUT ASSY BRACKET.

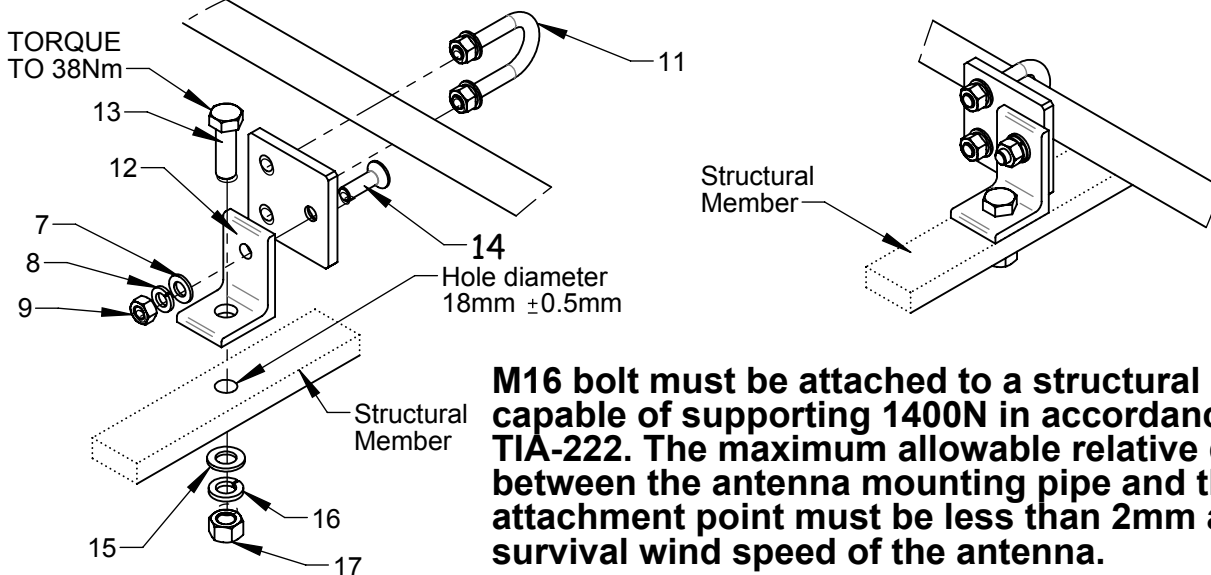
OPTION 1 - FOR ATTACHMENT TO CIRCULAR STRUCTURAL MEMBERS.



Clamps must be attached to a circular structural member (Dia 48mm-115mm) capable of supporting 1400N in accordance with TIA-222. The maximum allowable relative deflection between the antenna mounting pipe and the strut attachment point must be less than 2mm at the survival windspeed of the antenna.

4b ATTACH STRUT ASSY BRACKET.

OPTION 2 - FOR ATTACHMENT TO NON-CIRCULAR STRUCTURAL MEMBERS.



M16 bolt must be attached to a structural member capable of supporting 1400N in accordance with TIA-222. The maximum allowable relative deflection between the antenna mounting pipe and the strut attachment point must be less than 2mm at the survival wind speed of the antenna.

Andrew Wireless Solutions

Customer Service 24 hours
U.S.A., Canada, Mexico: 1-800-255-1479
or 1-888-235-5732
U.K.: 0800 250055
Other Europe: +44 592 782 612

www.andrew.com

Visit our Web site at www.andrew.com or contact your local Andrew Wireless Solutions representative for more information.
© 2008 CommScope, Inc. All rights reserved.

Andrew Wireless Solutions is a trademark of CommScope. All trademarks identified by ® or ™ are registered trademarks or trademarks, respectively, of CommScope. This document is for planning purposes only and is not intended to modify or supplement any specifications or warranties relating to Andrew Wireless Solutions products or services.

Notice: Andrew disclaims any liability or responsibility for the results of improper or unsafe installation, inspection, maintenance, or removal practices.
Aviso: Andrews no acepta ninguna obligacion ni responsabilidad como resultado de practicas incorrectas o peligrosas de instalacion, inspeccion, mantenimiento o retire.
Avis: Andrew decline toute responsabilite pour les consequences de procedures d'installation, d'inspection, d'entretien ou de retrait incorrectes ou dangereuses.
Hinweis: Andrew lehnt jede Haftung Oder Verantwortung fur Schaden ab, die aufgrund unsachgemäßer Installation, Überprüfung, Wartung Oder Demontage auftreten.
Atencao: A Andrew abdica do direito de toda responsabilidade pelos resultados de praticas inadequadas e sem seguranca de instalacao, inspecao, manutengao ou remocao.
Awertenza: Andrew declina eventual! responsabilita dervanti dell'esecuzione di procedure di installazione, ispezione, manutenzione e smontaggio improprie o poco sicure.

注意: Andrew 公司申明對於任何不恰當或不安全的安裝、檢驗、維修或拆卸操作所導致的後果不負任何責任和重責

