



## FlexiMAX Patch Panel Instructions

### General

The **CommScope® FlexiMAX** 24-port panel is a modular patch panel that allows for patching and interconnection in the equipment room.

Ordering information is listed below:

Material ID	Description
108356312	<b>FlexiMAX</b> 24-port modular patch panel

### How to Contact Us

- To find out more about **CommScope®** products, visit us on the web at <http://www.commscope.com/>
- For technical assistance:
  - Within the United States, contact your local account representative or technical support at 1-800-344-0223. Outside the United States, contact your local account representative or Authorized Business Partner.
  - Within the United States, report any missing/damaged parts or any other issues to **CommScope** Customer Claims at 1-866-539-2795. Outside the United States, contact your local account representative or Authorized Business Partner.

### Tools Required

- Phillips head screwdriver

### Parts List

Verify contents from the parts listed below:

Quantity	Description
1	<b>FlexiMAX</b> panel assembly
4	Mounting screws
24	Cable ties
1	Instruction sheet

### **WARNING – Important Safety Instructions**

When using this product, the following basic safety precautions should be followed to reduce the risk of fire, electric shock, and injury to persons:

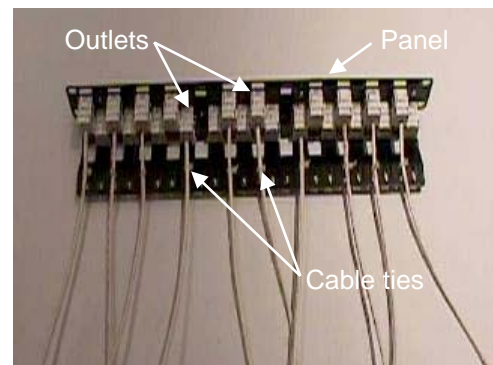
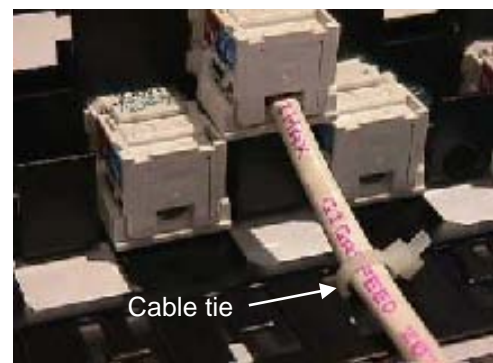
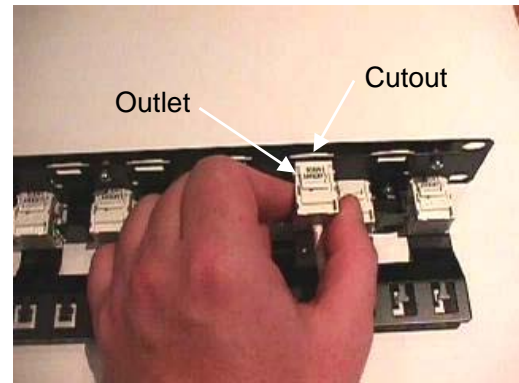
1. Never install communications wiring in wet locations unless it is designed for wet locations.
2. Never install this product during a lightning storm. There is a remote risk of electric shock.
3. Never touch uninsulated communication wiring or terminals unless the communication circuit has been disconnected at the network interface.
4. **CAUTION:** All wiring that connects to this equipment must meet applicable local and national building codes and network wiring standards for communication cable.

## Installation

1. Prep the 4-pair cables before terminating with information outlets.
2. Terminate cables on information outlets per instructions provided with the outlets.
3. Insert an outlet into a cutout from rear of panel with the insulation displacement contact (IDC) slots facing down as shown to the right. In this position, the outlet appears to be upside down. Repeat for all outlets.

**Note:** To remove the outlet, depress the tabs on each side of the outlet from the front, then pull outlet out from the rear. Openings are provided in the front of the panel for this purpose.

4. Use a cable tie to loosely secure the cable to "T tabs" located directly behind the outlets as shown in the two figures to the right.



5. Using the four provided mounting screws, secure panel to 19-inch (483mm) rack.
6. Use cable ties to secure cables to rack uprights.

**Note:** Do not exceed minimum bend radius for cables per **CommScope** recommendations.

