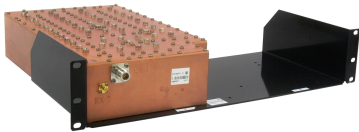


# E15V85P17



## Dual Duplexer Shelf, 850 RXAIT

### Product Classification

**Product Type** Duplexer shelf

### Electrical Specifications Rx (Uplink)

<b>Band Rejection at Operating Frequency</b>	27 dB @ 800–814 MHz   30 dB @ 851–869 MHz   50 dB @ 700–800 MHz   50 dB @ 960–6000 MHz
<b>Bandwidth</b>	25.00 MHz
<b>Frequency Band</b>	824 – 849 MHz
<b>Group Delay Variation, maximum</b>	75 ns @ 1.23 MHz 150 ns @ 5.00 MHz
<b>Insertion Loss, maximum</b>	1.80 dB
<b>Insertion Loss, typical</b>	0.50 dB
<b>Return Loss, minimum</b>	18 dB
<b>Total Group Delay, maximum</b>	280 ns
<b>Tx Band Rejection</b>	80 dB

### Electrical Specifications Tx (Downlink)

<b>Band Rejection at Operating Frequency</b>	20 dB @ 896–902 MHz
<b>Bandwidth</b>	25.00 MHz
<b>Frequency Band</b>	869 – 894 MHz
<b>Group Delay Variation, maximum</b>	50 ns @ 1.23 MHz 100 ns @ 5.00 MHz
<b>Input Power, PEP, maximum</b>	12 kW
<b>Input Power, RMS, maximum</b>	800 W
<b>Insertion Loss, maximum</b>	0.90 dB
<b>Insertion Loss, typical</b>	0.40 dB
<b>Return Loss, minimum</b>	18 dB
<b>Rx Band Rejection</b>	80 dB
<b>Total Group Delay, maximum</b>	200 ns

### Electrical Specifications 2 Rx (Uplink)

<b>Bandwidth</b>	25.00 MHz
<b>Frequency Band</b>	824 – 849 MHz
<b>Group Delay Variation, maximum</b>	40 ns @ 1.23 MHz 80 ns @ 5.00 MHz
<b>Insertion Loss, maximum</b>	1.00 dB

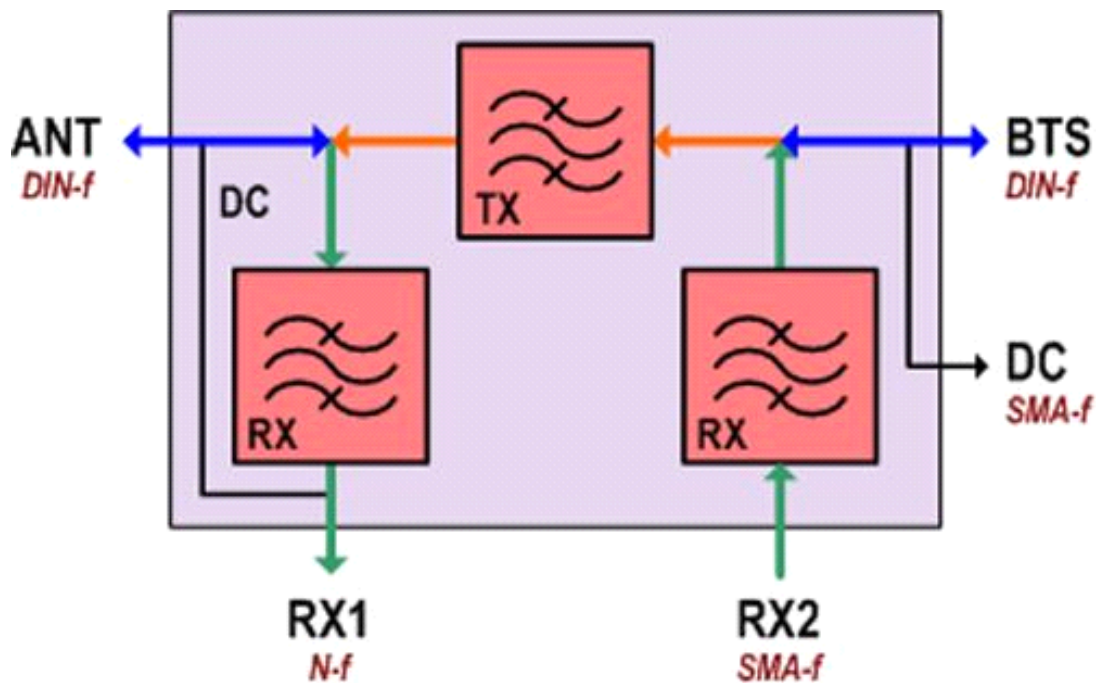
# E15V85P17

Insertion Loss, typical	0.80 dB
Return Loss, minimum	18 dB
Total Group Delay, maximum	150 ns
Tx Band Rejection	80 dB

## Electrical Specifications

License Band	Cellular
3rd Order IMD Test Method	Two +43 dBm carriers
3rd Order IMD, maximum	-107 dBm
dc Pass-through	Rx

## Block Diagram



## General Specifications

Application	Indoor
-------------	--------

## Mechanical Specifications

Rx Interface	N Female
Antenna Interface	7-16 DIN Female
BTS Interface	7-16 DIN Female
Color	Black   Copper

# E15V85P17

---

<b>dc Interface</b>	SMA Female
<b>Rack Type</b>	EIA 19 in
<b>Rack Units</b>	2
<b>Rx2 Interface</b>	SMA Female

## Environmental Specifications

<b>Ingress Protection Test Method</b>	IEC 60529:2001, IP30
<b>Operating Temperature</b>	0 °C to +50 °C (+32 °F to +122 °F)

## Dimensions

<b>Depth</b>	377.6 mm   14.9 in
<b>Height</b>	88.1 mm   3.5 in
<b>Weight, without mounting hardware</b>	8.4 kg   18.5 lb
<b>Width</b>	482.6 mm   19.0 in

## Outline Drawing

