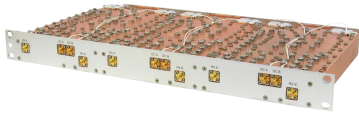


# E15V85P15



Triple Duplexer + RX Filter Shelf, 1900 RxAIT

## Product Classification

**Product Type** Duplexer shelf

## Electrical Specifications Rx (Uplink)

<b>Bandwidth</b>	60.00 MHz
<b>Frequency Band</b>	1850 – 1910 MHz
<b>Group Delay Variation, maximum</b>	15 ns @ 5.00 MHz
<b>Insertion Loss, maximum</b>	0.95 dB
<b>Insertion Loss, typical</b>	0.45 dB
<b>Return Loss, minimum</b>	18 dB
<b>Total Group Delay, maximum</b>	50 ns
<b>Tx Band Rejection</b>	80 dB

## Electrical Specifications Tx (Downlink)

<b>Bandwidth</b>	60.00 MHz
<b>Frequency Band</b>	1930 – 1990 MHz
<b>Group Delay Variation, maximum</b>	15 ns @ 5.00 MHz
<b>Input Power, PEP, maximum</b>	3 kW
<b>Input Power, RMS, maximum</b>	300 W
<b>Insertion Loss, maximum</b>	0.65 dB
<b>Insertion Loss, typical</b>	0.35 dB
<b>Return Loss, minimum</b>	18 dB
<b>Rx Band Rejection</b>	60 dB
<b>Total Group Delay, maximum</b>	50 ns

## Electrical Specifications 2 Rx (Uplink)

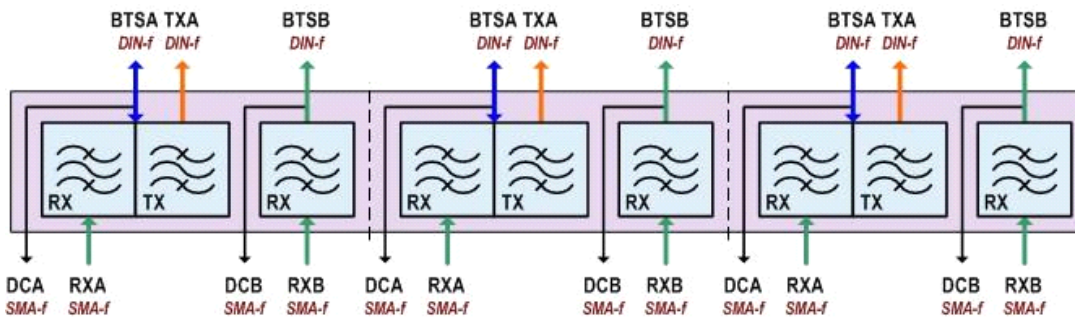
<b>Bandwidth</b>	60.00 MHz
<b>Frequency Band</b>	1850 – 1910 MHz
<b>Group Delay Variation, maximum</b>	15 ns @ 5.00 MHz
<b>Insertion Loss, maximum</b>	0.70 dB
<b>Insertion Loss, typical</b>	0.45 dB
<b>Return Loss, minimum</b>	18 dB
<b>Total Group Delay, maximum</b>	50 ns
<b>Tx Band Rejection</b>	40 dB

# E15V85P15

## Electrical Specifications

<b>License Band</b>	PCS
<b>3rd Order IMD Test Method</b>	Two +43 dBm carriers
<b>3rd Order IMD, maximum</b>	-107 dBm

## Block Diagram



## General Specifications

<b>Application</b>	Indoor
--------------------	--------

## Mechanical Specifications

<b>Rx Interface</b>	SMA Female
<b>BTS Interface</b>	7-16 DIN Female
<b>Color</b>	Black   Copper
<b>dc Interface</b>	SMA Female
<b>Rack Type</b>	EIA 19 in
<b>Rack Units</b>	1
<b>Rx2 Interface</b>	SMA Female
<b>Tx Interface</b>	7-16 DIN Female

## Environmental Specifications

<b>Ingress Protection Test Method</b>	IEC 60529:2001, IP30
<b>Operating Temperature</b>	-40 °C to +55 °C (-40 °F to +131 °F)

## Dimensions

<b>Depth</b>	247.0 mm   9.7 in
<b>Height</b>	43.7 mm   1.7 in
<b>Weight, without mounting hardware</b>	6.8 kg   15.0 lb
<b>Width</b>	482.6 mm   19.0 in

## Outline Drawing

