

Dual Duplexer, 850

## Product Classification

**Product Type** Duplexer

## Electrical Specifications Rx (Uplink)

<b>Bandwidth</b>	25.00 MHz
<b>Frequency Band</b>	824 – 849 MHz
<b>Group Delay Variation, maximum</b>	20 ns @ 5.00 MHz
<b>Insertion Loss, maximum</b>	0.70 dB
<b>Insertion Loss, typical</b>	0.40 dB
<b>Return Loss, minimum</b>	20 dB
<b>Total Group Delay, maximum</b>	60 ns
<b>Tx Band Rejection</b>	80 dB

## Electrical Specifications Tx (Downlink)

<b>Bandwidth</b>	25.00 MHz
<b>Frequency Band</b>	869 – 894 MHz
<b>Group Delay Variation, maximum</b>	20 ns @ 5.00 MHz
<b>Input Power, PEP, maximum</b>	5 kW
<b>Input Power, RMS, maximum</b>	500 W
<b>Insertion Loss, maximum</b>	0.50 dB
<b>Insertion Loss, typical</b>	0.30 dB
<b>Return Loss, minimum</b>	20 dB
<b>Rx Band Rejection</b>	60 dB
<b>Total Group Delay, maximum</b>	60 ns

## Electrical Specifications 2 Rx (Uplink)

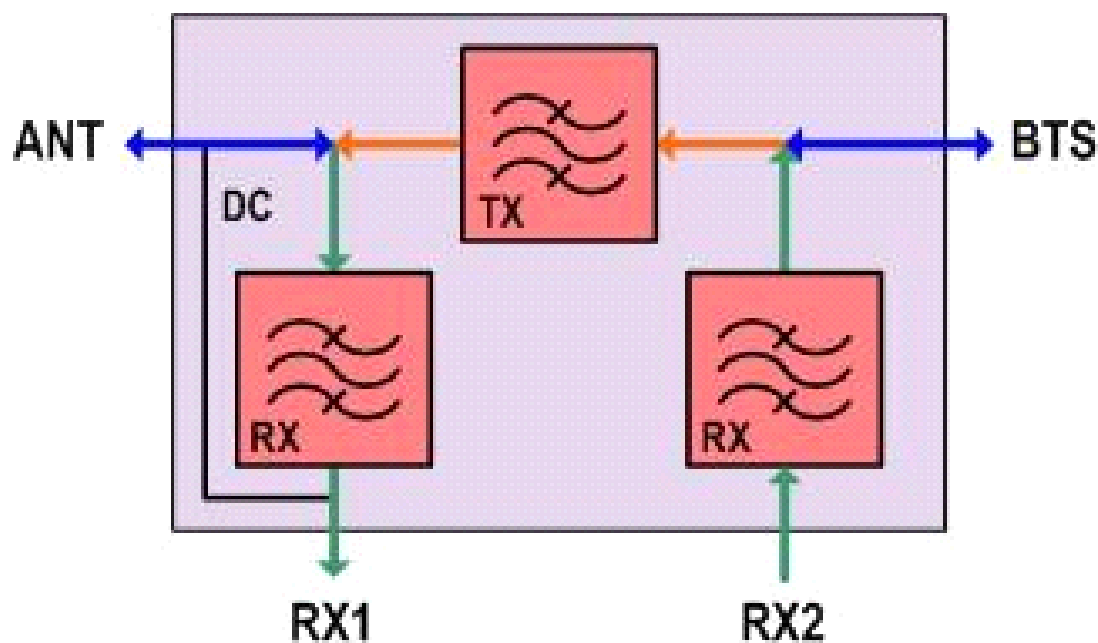
<b>Bandwidth</b>	25.00 MHz
<b>Frequency Band</b>	824 – 849 MHz
<b>Group Delay Variation, maximum</b>	20 ns @ 5.00 MHz
<b>Insertion Loss, maximum</b>	0.70 dB
<b>Insertion Loss, typical</b>	0.40 dB
<b>Return Loss, minimum</b>	20 dB

**Total Group Delay, maximum** 60 ns  
**Tx Band Rejection** 80 dB

## Electrical Specifications

**License Band** Cellular  
**3rd Order IMD Test Method** Two +43 dBm carriers  
**3rd Order IMD, maximum** -107 dBm  
**dc Pass-through** Rx  
**Lightning Surge Current** 10 kA  
**Lightning Surge Current Waveform** 8/20 waveform

## Block Diagram



## General Specifications

**Application** Indoor | Outdoor  
**Includes** Mounting hardware

## Mechanical Specifications

**Rx Interface** 7-16 DIN Female  
**Antenna Interface** 7-16 DIN Female  
**BTS Interface** 7-16 DIN Female  
**Color** Gray

<b>Connector Interface Style</b>	Medium neck
<b>Ground Screw Diameter</b>	6.00 mm
<b>Mounting Pipe Diameter</b>	40–140 mm
<b>Mounting Pipe Hardware</b>	Band clamps
<b>Rx2 Interface</b>	7-16 DIN Female

## Environmental Specifications

<b>Ingress Protection Test Method</b>	IEC 60529:2001, IP67
<b>Operating Temperature</b>	-40 °C to +65 °C (-40 °F to +149 °F)
<b>Relative Humidity</b>	5%–100%

## Dimensions

<b>Depth</b>	60.0 mm   2.4 in
<b>Height</b>	200.0 mm   7.9 in
<b>Weight, without mounting hardware</b>	3.3 kg   7.3 lb
<b>Width</b>	200.0 mm   7.9 in

## Outline Drawing

