



Twin Dual Duplexer Shelf, 1900 RXAIT

Product Classification

Product Type Duplexer shelf

Electrical Specifications Rx (Uplink)

Band Rejection at Operating Frequency	30 dB @ 1805–1830 MHz 60 dB @ 200–1000 MHz 63 dB @ 1785–1805 MHz 70 dB @ 1000–1785 MHz 77 dB @ 1990–2170 MHz
Bandwidth	60.00 MHz
Frequency Band	1850 – 1910 MHz
Group Delay Variation, maximum	50 ns @ 5.00 MHz
Insertion Loss, maximum	1.00 dB
Insertion Loss, typical	0.50 dB
Return Loss, minimum	18 dB
Total Group Delay, maximum	100 ns
Tx Band Rejection	90 dB

Electrical Specifications Tx (Downlink)

Bandwidth	60.00 MHz
Frequency Band	1930 – 1990 MHz
Group Delay Variation, maximum	50 ns @ 5.00 MHz
Input Power, PEP, maximum	3 kW
Input Power, RMS, maximum	300 W
Insertion Loss, maximum	1.00 dB
Insertion Loss, typical	0.40 dB
Return Loss, minimum	18 dB
Rx Band Rejection	80 dB
Total Group Delay, maximum	100 ns

Electrical Specifications 2 Rx (Uplink)

Bandwidth	60.00 MHz
Frequency Band	1850 – 1910 MHz
Group Delay Variation, maximum	50 ns @ 5.00 MHz
Insertion Loss, maximum	1.00 dB
Insertion Loss, typical	0.50 dB
Return Loss, minimum	18 dB
Total Group Delay, maximum	100 ns

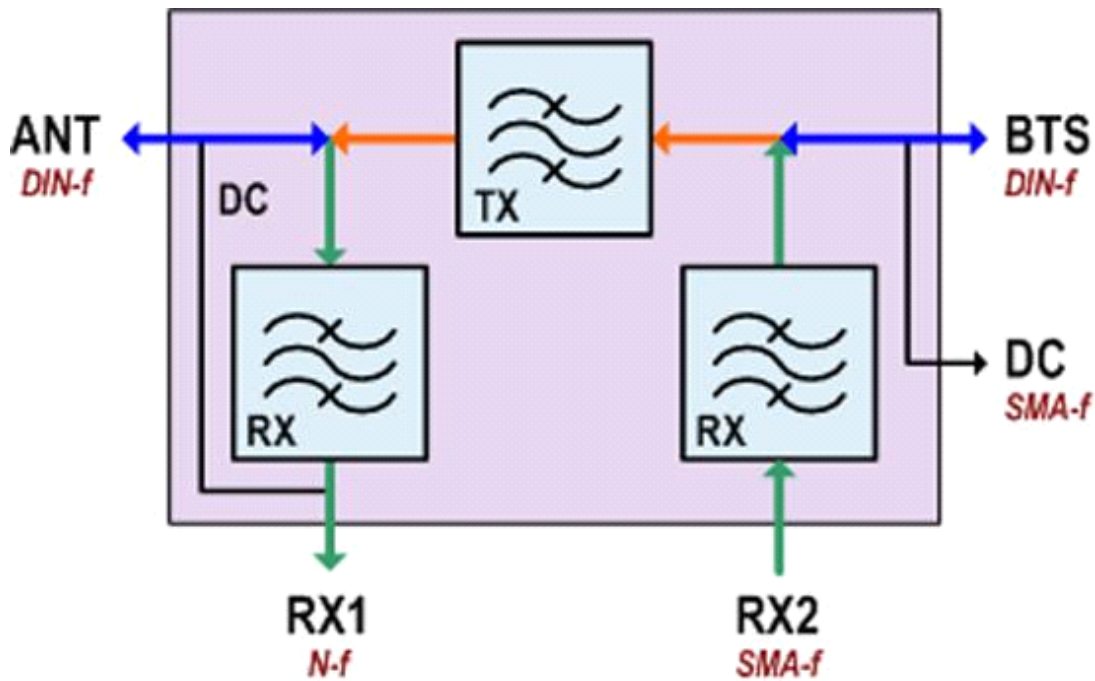
E15V85P05

Tx Band Rejection 80 dB

Electrical Specifications

License Band PCS
3rd Order IMD Test Method Two +43 dBm carriers
3rd Order IMD, maximum -107 dBm
dc Pass-through Rx

Block Diagram



General Specifications

Application Indoor

Mechanical Specifications

Rx Interface N Female
Antenna Interface 7-16 DIN Female
BTS Interface 7-16 DIN Female
Color Black | Silver
dc Interface SMA Female
Rack Type EIA 19 in
Rack Units 1

E15V85P05

Rx2 Interface

SMA Female

Environmental Specifications

Ingress Protection Test Method

IEC 60529:2001, IP30

Operating Temperature

0 °C to +50 °C (+32 °F to +122 °F)

Dimensions

Depth

226.0 mm | 8.9 in

Height

43.7 mm | 1.7 in

Weight, without mounting hardware

6.8 kg | 15.0 lb

Width

482.6 mm | 19.0 in

Outline Drawing

