



## Quad AWS IMF for Broadcast Auxiliary Service(BAS) co-location, 4.3-10 connectors

- Provides interference mitigation in the Broadcast Auxiliary Service band of 2097.5-2109.5 MHz
- Supports AWS3/4 extended bands (1695-1780 & 2110-2200 MHz)
- Easy to install in existing AWS systems and prevent adjacent channel interference for BAS licensees
- New 4.3-10 connectors for improved PIM performance and size reduction
- Compact form factor with reduced size and weight
- Available in twin (IMFT-AWSBAS-43) and quad (IMFQ-AWSBAS-43) configurations

## General Specifications

<b>Modularity</b>	4-Quad
<b>Includes</b>	Mounting hardware

## Electrical Specifications

<b>Sub-module</b>	1   2   3   4	1   2   3   4	1   2   3   4
<b>Branch</b>	1	1	1
<b>Port Designation</b>	AWS	AWS	AWS
<b>License Band</b>	AWS 1700, Band Pass	AWS 1700, Band Pass	AWS 1700, Band Pass

## Electrical Specifications, Band Pass

<b>Frequency Range</b>	1695–1780 MHz	2110.3–2110.5 MHz	2110.5–2200 MHz
<b>Insertion Loss, maximum</b>	0.20 dB	1.30 dB	1.80 dB
<b>Insertion Loss, typical</b>		1.00 dB	1.40 dB
<b>Group Delay Variation, maximum</b>			1 ns
<b>Total Group Delay, maximum</b>	10 ns	480 ns	320 ns
<b>Return Loss, minimum</b>	18 dB	18 dB	18 dB
<b>Input Power, RMS, maximum</b>		100 W	100 W
<b>Input Power, PEP, maximum</b>		1000 W	1000 W
<b>3rd Order PIM, minimum</b>		-161 dBc	
<b>3rd Order PIM, maximum</b>			-161 dBc
<b>3rd Order PIM Test Method</b>		2 x 20 W CW tones	2 x 20 W CW tones

## Electrical Specifications, Band Reject

<b>Frequency Range</b>	2097.5–2109.5 MHz	2097.5–2109.5 MHz
<b>Attenuation, minimum</b>	30 dB	30 dB

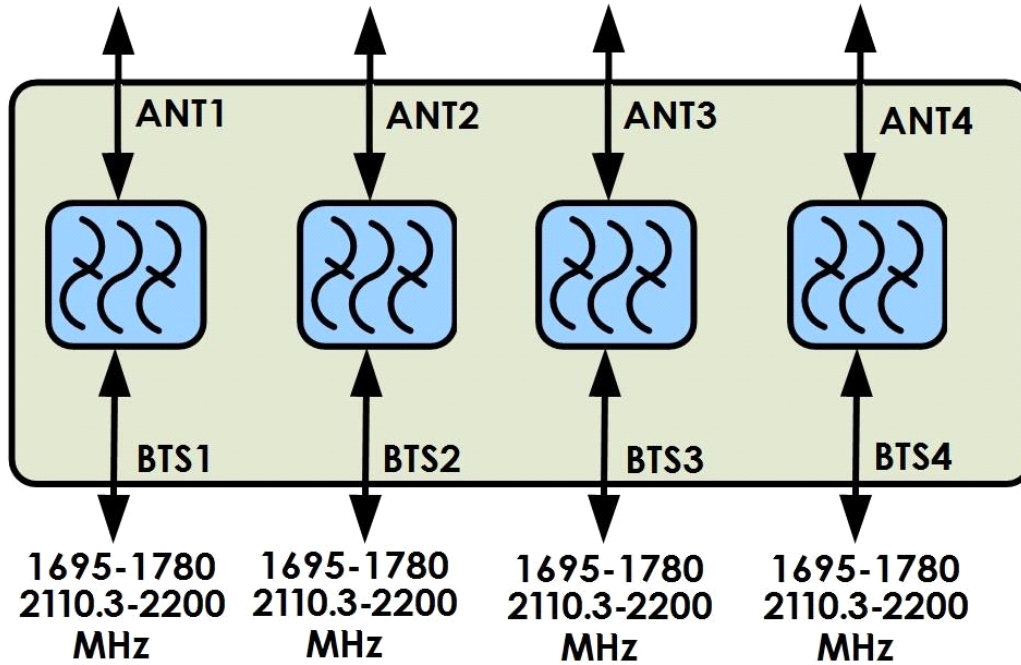
## Product Classification

<b>Product Type</b>	Interference mitigation filter
---------------------	--------------------------------

## dc Power/Alarm Electrical Specifications

dc/AISG Pass-through Path	Branch 1   Branch 2
Lightning Surge Current	10 kA
Lightning Surge Current Waveform	8/20 waveform

### Block Diagram



### Mechanical Specifications

RF Connector Interface	4.3-10 Female
RF Connector Interface Body Style	Long neck
Ground Screw Diameter	5.00 mm
Color	Gray
Mounting Pipe Hardware	Band clamps (2)

### Dimensions

Height	298.0 mm   11.7 in
Width	204.0 mm   8.0 in
Depth	100.0 mm   3.9 in
Weight, without mounting hardware	8.2 kg   18.1 lb
Mounting Hardware Weight	1.0 kg   2.2 lb

## Environmental Specifications

<b>Operating Temperature</b>	-40 °C to +65 °C (-40 °F to +149 °F)
<b>Relative Humidity</b>	Up to 100%
<b>Ingress Protection Test Method</b>	IEC 60529:2001, IP67

Outline Drawing

