



Twin WCS IMF for Aeronautical Mobile Telemetry Band Co-Location, 4.3-10

- New 4.3-10 connectors for improved PIM performance and size reduction
- DC/AISG passing capability from BTS port to ANT port
- Convertible mounting brackets

General Specifications

Modularity	2-Twin
Includes	Mounting hardware

Electrical Specifications

Sub-module	1 2	1 2	1 2	1 2
Branch	1	1	1	1
License Band	WCS 2300, Band Pass	WCS 2300, Band Pass	WCS 2300, Band Pass	WCS 2300, Band Pass

Electrical Specifications, Band Pass

Frequency Range	2305–2315 MHz	2350–2357 MHz	2357–2358.6 MHz	2358.6–2358.96 MHz
Insertion Loss, maximum	0.30 dB	0.90 dB	1.60 dB	2.20 dB
Insertion Loss, typical	0.20 dB	0.70 dB	1.30 dB	1.80 dB
Total Group Delay, maximum	10 ns	250 ns	250 ns	150 ns
Return Loss, minimum	18 dB	18 dB	16 dB	16 dB
Return Loss, typical	20 dB	20 dB	20 dB	20 dB
Input Power, RMS, maximum		100 W	100 W	100 W
Input Power, PEP, maximum		1000 W	1000 W	1000 W
Higher Order PIM, minimum		-153 dBc	-153 dBc	-153 dBc
Higher Order PIM Test Method		2 x 20 W CW tones	2 x 20 W CW tones	2 x 20 W CW tones

Electrical Specifications, Band Reject

Frequency Range	2360–2395 MHz	2360–2395 MHz	2360–2395 MHz	2360–2395 MHz
Attenuation, minimum	30 dB	30 dB	30 dB	30 dB

Product Classification

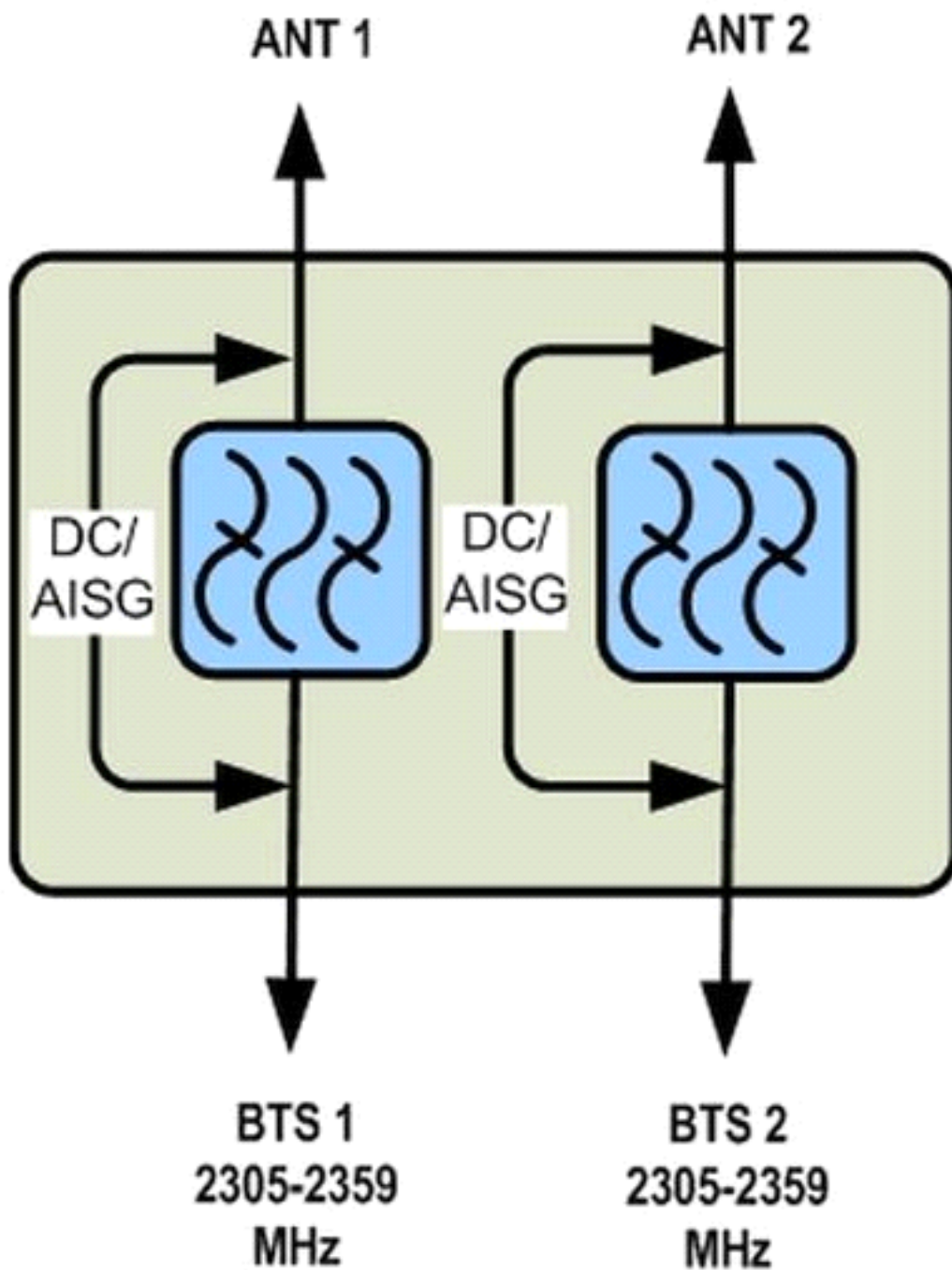
Product Type	Interference mitigation filter
---------------------	--------------------------------

dc Power/Alarm Electrical Specifications

dc/AISG Pass-through Path	Branch 1
Lightning Surge Current	8 kA

Lightning Surge Current Waveform 8/20 waveform

Block Diagram



Mechanical Specifications

RF Connector Interface	4.3-10 Female
Color	Gray
Mounting Pipe Hardware	Band clamps (2)

Dimensions

Height	206.0 mm 8.1 in
Width	144.5 mm 5.7 in
Depth	94.0 mm 3.7 in
Weight, without mounting hardware	4.0 kg 8.8 lb
Mounting Hardware Weight	0.7 kg 1.4 lb

Environmental Specifications

Operating Temperature	-40 °C to +65 °C (-40 °F to +149 °F)
Relative Humidity	Up to 100%
Ingress Protection Test Method	IEC 60529:2001, IP67

Outline Drawing

