

## Quad WCS IMF for Aeronautical Mobile Telemetry Band Co-Location, 4.3-10

- New 4.3-10 connectors for improved PIM performance and size reduction
- DC/AISG passing capability from BTS port to ANT port
- Convertible mounting brackets

### General Specifications

<b>Modularity</b>	4-Quad
<b>Includes</b>	Mounting hardware

### Electrical Specifications

<b>Sub-module</b>	1   2   3   4	1   2   3   4	1   2   3   4	1   2   3   4
<b>Branch</b>	1	1	1	1
<b>License Band</b>	WCS 2300, Band Pass	WCS 2300, Band Pass	WCS 2300, Band Pass	WCS 2300, Band Pass

### Electrical Specifications, Band Pass

<b>Frequency Range</b>	2305–2315 MHz	2350–2357 MHz	2357–2358.6 MHz	2358.6–2358.96 MHz
<b>Insertion Loss, maximum</b>	0.30 dB	0.90 dB	1.60 dB	2.20 dB
<b>Insertion Loss, typical</b>	0.20 dB	0.70 dB	1.30 dB	1.80 dB
<b>Total Group Delay, maximum</b>	10 ns	250 ns	250 ns	150 ns
<b>Return Loss, minimum</b>	18 dB	18 dB	16 dB	16 dB
<b>Return Loss, typical</b>	20 dB	20 dB	20 dB	20 dB
<b>Input Power, RMS, maximum</b>		100 W	100 W	100 W
<b>Input Power, PEP, maximum</b>		1000 W	1000 W	1000 W
<b>Higher Order PIM, minimum</b>		-153 dBc	-153 dBc	-153 dBc
<b>Higher Order PIM Test Method</b>		2 x 20 W CW tones	2 x 20 W CW tones	2 x 20 W CW tones

### Electrical Specifications, Band Reject

<b>Frequency Range</b>	2360–2395 MHz	2360–2395 MHz	2360–2395 MHz
<b>Attenuation, minimum</b>	30 dB	30 dB	30 dB

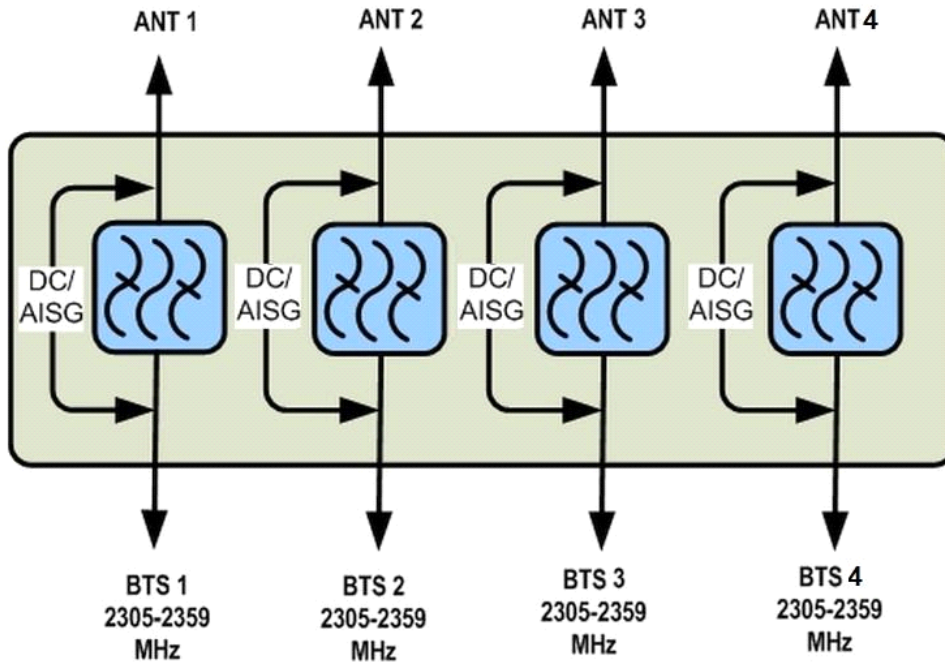
### Product Classification

<b>Product Type</b>	Interference mitigation filter
---------------------	--------------------------------

### dc Power/Alarm Electrical Specifications

<b>dc/AISG Pass-through Path</b>	Branch 1
<b>Lightning Surge Current</b>	8 kA
<b>Lightning Surge Current Waveform</b>	8/20 waveform

## Block Diagram



## Mechanical Specifications

<b>RF Connector Interface</b>	4.3-10 Female
<b>Mounting Pipe Hardware</b>	Band clamps (2)

## Dimensions

<b>Height</b>	206.0 mm   8.1 in
<b>Width</b>	144.5 mm   5.7 in
<b>Depth</b>	94.0 mm   3.7 in
<b>Weight, without mounting hardware</b>	8.3 kg   18.3 lb
<b>Mounting Hardware Weight</b>	1.0 kg   2.2 lb

## Environmental Specifications

<b>Operating Temperature</b>	-40 °C to +65 °C (-40 °F to +149 °F)
<b>Relative Humidity</b>	Up to 100%
<b>Ingress Protection Test Method</b>	IEC 60529:2001, IP67

## Outline Drawing

