

# D54G01P82



Power Distribution Unit, multimode for single and dual band tower mounted amplifiers (TMAs)

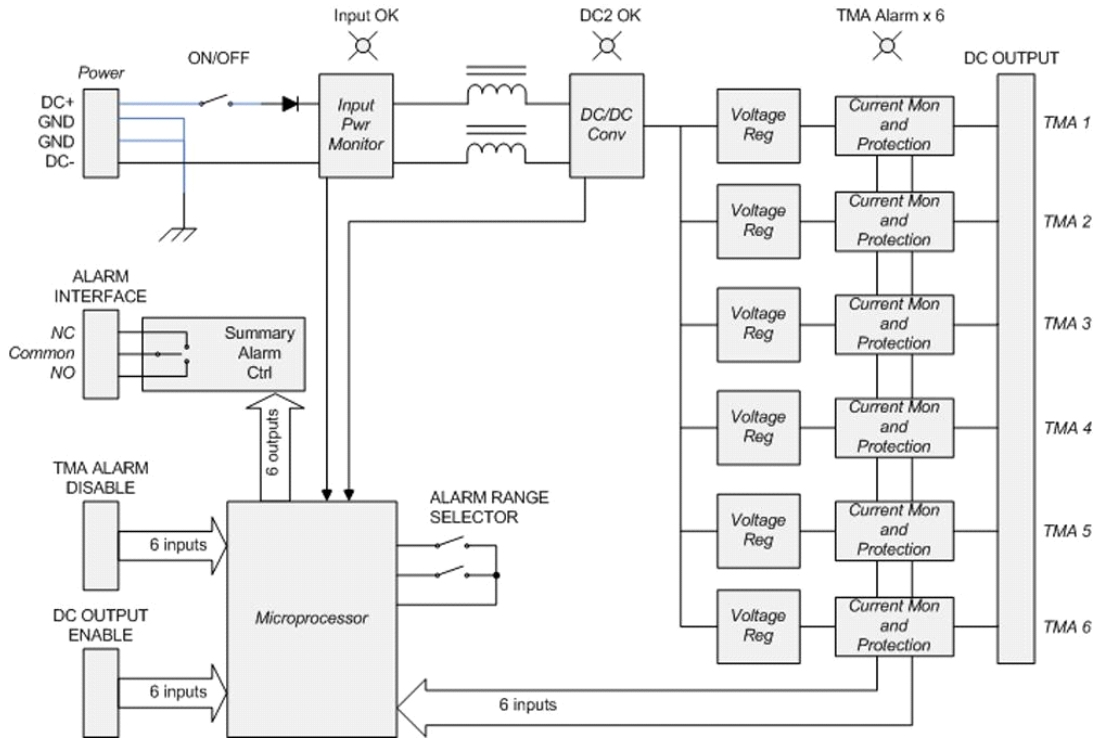
## Product Classification

**Product Type** Power distribution unit

## Electrical Specifications

<b>Input Lightning Surge Current</b>	1 kA
<b>Input Lightning Surge Current Waveform</b>	8/20 waveform
<b>Input Overcurrent Protection</b>	Internal slow blow fuse
<b>Input Voltage, operational</b>	20–60 Vdc
<b>Power Consumption, maximum</b>	40 W
<b>Output Current per Port, maximum</b>	400.0 mA
<b>Output Current, maximum</b>	2.2 A
<b>Output Lightning Surge Current</b>	2 kA
<b>Output Lightning Surge Current Waveform</b>	8/20 waveform
<b>Output Overcurrent Protection</b>	Hiccup mode current limiting
<b>Output Voltage Ripple, maximum</b>	100 mVpp
<b>Output Voltage, typical</b>	12 V
<b>Electrical Safety Standard</b>	CE   EN 60950
<b>Alarm Current Range, high setting</b>	175–312 mA
<b>Alarm Current Range, low setting</b>	20–163 mA

## Block Diagram



## General Specifications

<b>Application</b>	Indoor
<b>Modules per Unit, quantity</b>	1
<b>Output Ports per Module, quantity</b>	6

## Mechanical Specifications

<b>Color</b>	Light gray
<b>Alarm Control</b>	6-position DIP switch
<b>Alarm Interface</b>	9-pin D-sub Female
<b>Alarm Relays</b>	Normally closed   Normally open
<b>LED Indicators, green</b>	Normal   Power supply
<b>LED Indicators, red</b>	Alarm   dc/dc Converter
<b>Output Control</b>	6-position DIP switch
<b>Output Interface</b>	9-pin D-sub Female
<b>Power Supply Control</b>	Toggle switch
<b>Power Supply Interface</b>	4-pin single row header Male

# D54G01P82

---

## Environmental Specifications

<b>Ingress Protection Test Method</b>	IEC 60529:2001, IP20
<b>Operating Temperature</b>	-10 °C to +60 °C (+14 °F to +140 °F)

## Dimensions

<b>Depth</b>	130.0 mm   5.1 in
<b>Height</b>	44.0 mm   1.7 in
<b>Width</b>	483.0 mm   19.0 in
<b>Weight</b>	1.1 kg   2.4 lb

## Outline Drawing

