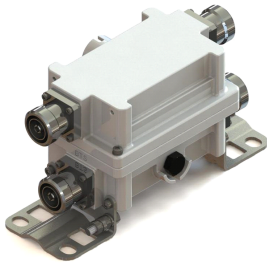


2S-IMF 2530-2670 RJ 2690-2700 47dB DC



General Specifications

Modularity	2-Twin
Includes	Mounting hardware

Electrical Specifications

Sub-module	1 2
Branch	1
License Band	IMT 2600, Band Pass

Electrical Specifications Rx (Uplink)

Frequency Range	2530–2550 MHz
Bandwidth	20.00 MHz
Return Loss, minimum	18 dB

Electrical Specifications Tx (Downlink)

Frequency Range	2650–2670 MHz
Bandwidth	20.00 MHz
Insertion Loss, typical	0.30 dB
Return Loss, minimum	18 dB
Input Power, RMS, maximum	100 W
Input Power, PEP, maximum	1000 W
3rd Order PIM, typical	-155 dBc
3rd Order PIM Test Method	Two +43 dBm carriers

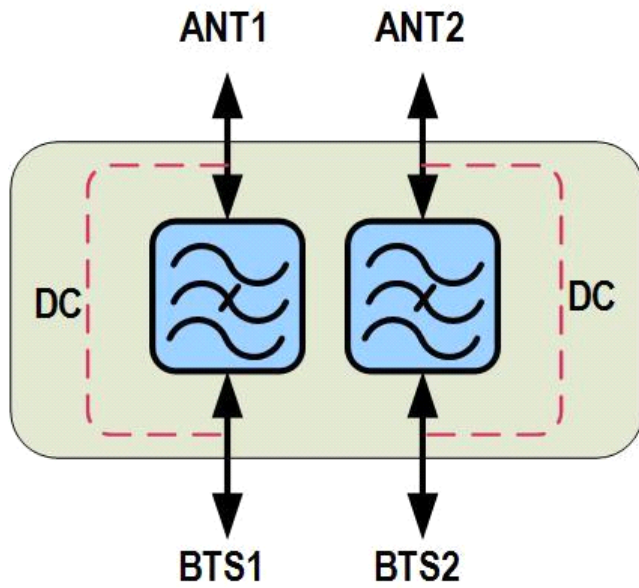
Electrical Specifications, Band Reject

Frequency Range	2690–2700 MHz
Attenuation, minimum	47 dB

dc Power/Alarm Electrical Specifications

Lightning Surge Current	10 kA
Lightning Surge Current Waveform	8/20 waveform

Block Diagram



Pass Band:
 Tx 2650-2670 MHz
 Rx 2530-2550 MHz

Rejection Band:
 2690-2700 MHz
 Attenuation 50 dB typ

Mechanical Specifications

RF Connector Interface	7-16 DIN Female
RF Connector Interface Body Style	Long neck
Ground Screw Diameter	5.00 mm
Color	Gray
Mounting Pipe Hardware	Band clamps (2)

Dimensions

Height	90.0 mm 3.5 in
Width	130.0 mm 5.1 in
Depth	102.0 mm 4.0 in
Mounting Hardware Weight	3.0 kg 6.6 lb

Environmental Specifications

Operating Temperature	-40 °C to +65 °C (-40 °F to +149 °F)
Relative Humidity	Up to 100%
Ingress Protection Test Method	IEC 60529:2001, IP67

Outline Drawing

