

CS-IMF 14 RJ 1498.5-1506 50dB DC

- New 4.3-10 connectors for improved PIM performance and size reduction

General Specifications

Modularity 2-Twin

Electrical Specifications

Sub-module	1 2	1 2	1 2	1 2	1 2
Branch			1	1	1

Electrical Specifications, Band Pass

Frequency Range	1452–1472 MHz
Insertion Loss, typical	0.60 dB
Total Group Delay, maximum	115 ns
Total Group Delay, typical	65 ns
Return Loss, minimum	18 dB
Return Loss, typical	20 dB
Input Power, RMS, maximum	100 W
Input Power, PEP, maximum	1000 W
3rd Order PIM, typical	-160 dBc
3rd Order PIM Test Method	Two +43 dBm carriers

Electrical Specifications, Band Reject

Frequency Range	1495–1498.5 MHz	1506–1518 MHz	1442–1449 MHz	1498.5–1506 MHz
Attenuation, minimum	10 dB	35 dB	10 dB	50 dB

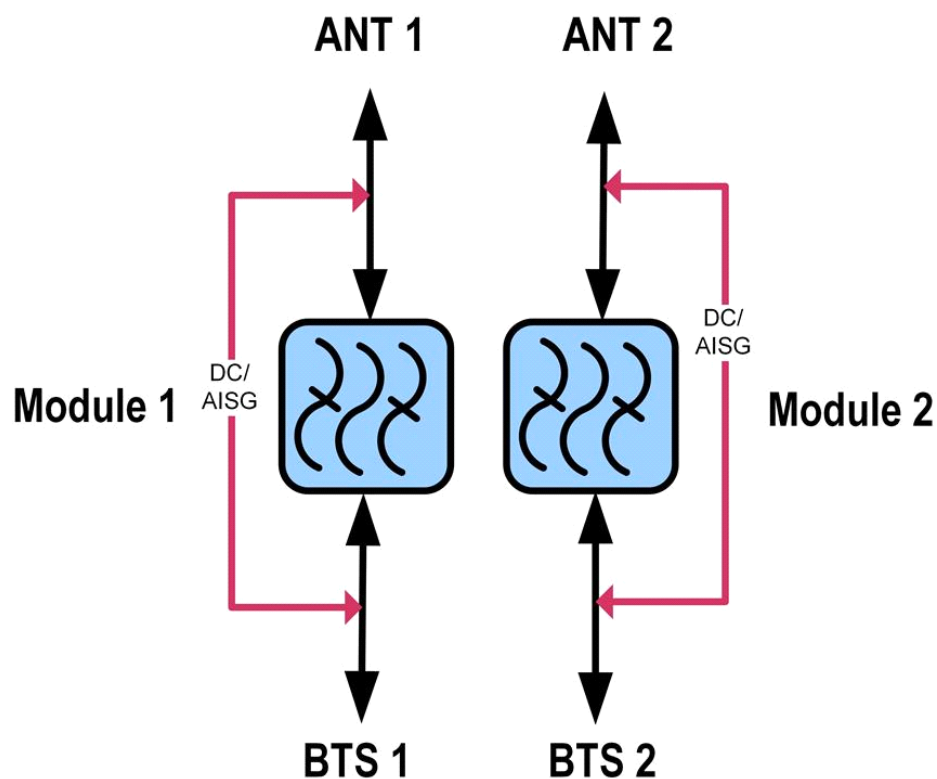
Product Classification

Product Type Interference mitigation filter

dc Power/Alarm Electrical Specifications

Lightning Surge Current	5 kA
Lightning Surge Current Waveform	8/20 waveform

Block Diagram



Mechanical Specifications

RF Connector Interface	4.3-10 Female
RF Connector Interface Body Style	Long neck
Ground Screw Diameter	5.00 mm
Color	Gray

Dimensions

Height	98.0 mm 3.9 in
Width	176.0 mm 6.9 in
Depth	122.0 mm 4.8 in
Weight, without mounting hardware	3.2 kg 7.1 lb

Environmental Specifications

Operating Temperature	-40 °C to +60 °C (-40 °F to +140 °F)
------------------------------	--------------------------------------

E14V00P05

Relative Humidity

Up to 100%

Ingress Protection Test Method

IEC 60529:2001, IP67

Outline Drawing

