



Dual Duplexer Shelf, 1900 RXAIT

## Product Classification

**Product Type** Duplexer shelf

## Electrical Specifications Rx (Uplink)

<b>Band Rejection at Operating Frequency</b>	30 dB @ 1805–1830 MHz   60 dB @ 200–1000 MHz   63 dB @ 1785–1805 MHz   70 dB @ 1000–1785 MHz   77 dB @ 1990–2170 MHz
<b>Bandwidth</b>	60.00 MHz
<b>Frequency Band</b>	1850 – 1910 MHz
<b>Group Delay Variation, maximum</b>	50 ns @ 5.00 MHz
<b>Insertion Loss, maximum</b>	1.00 dB
<b>Insertion Loss, typical</b>	0.50 dB
<b>Return Loss, minimum</b>	18 dB
<b>Total Group Delay, maximum</b>	100 ns
<b>Tx Band Rejection</b>	90 dB

## Electrical Specifications Tx (Downlink)

<b>Bandwidth</b>	60.00 MHz
<b>Frequency Band</b>	1930 – 1990 MHz
<b>Group Delay Variation, maximum</b>	50 ns @ 5.00 MHz
<b>Input Power, PEP, maximum</b>	3 kW
<b>Input Power, RMS, maximum</b>	300 W
<b>Insertion Loss, maximum</b>	1.00 dB
<b>Insertion Loss, typical</b>	0.40 dB
<b>Return Loss, minimum</b>	18 dB
<b>Rx Band Rejection</b>	80 dB
<b>Total Group Delay, maximum</b>	100 ns

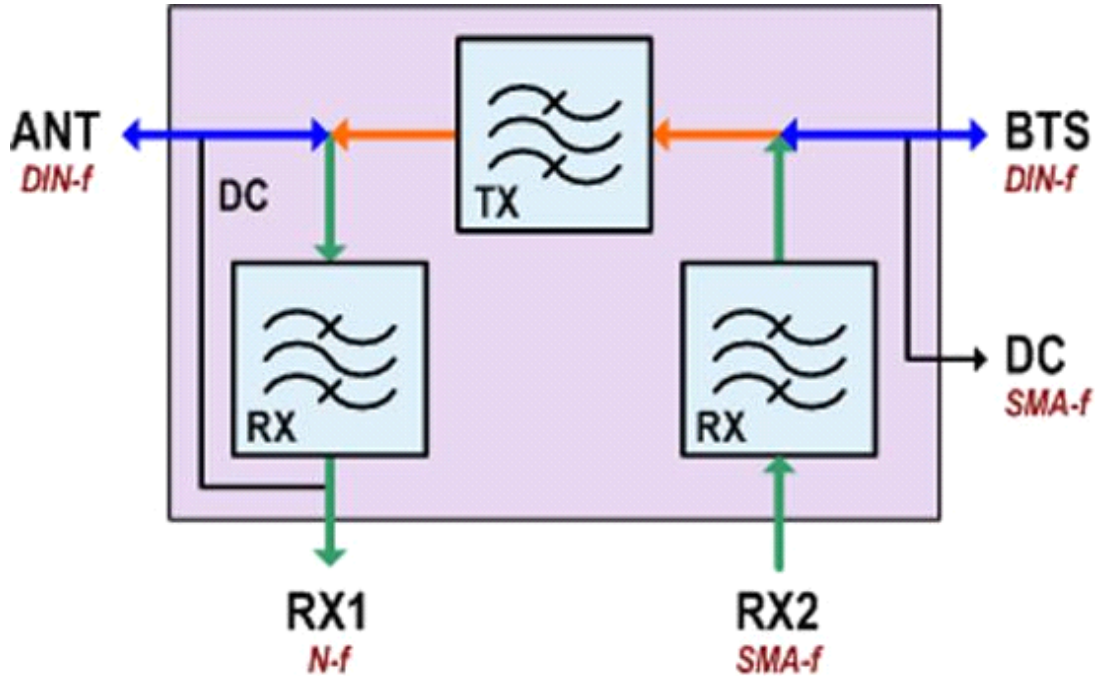
## Electrical Specifications 2 Rx (Uplink)

<b>Bandwidth</b>	60.00 MHz
<b>Frequency Band</b>	1850 – 1910 MHz
<b>Group Delay Variation, maximum</b>	50 ns @ 5.00 MHz
<b>Insertion Loss, maximum</b>	1.00 dB
<b>Insertion Loss, typical</b>	0.50 dB
<b>Return Loss, minimum</b>	18 dB
<b>Total Group Delay, maximum</b>	100 ns
<b>Tx Band Rejection</b>	80 dB

## Electrical Specifications

<b>License Band</b>	PCS
<b>3rd Order IMD Test Method</b>	Two +43 dBm carriers
<b>3rd Order IMD, maximum</b>	-107 dBm
<b>dc Pass-through</b>	Rx

## Block Diagram



## General Specifications

<b>Application</b>	Indoor
--------------------	--------

## Mechanical Specifications

<b>Rx Interface</b>	N Female
<b>Antenna Interface</b>	7-16 DIN Female
<b>BTS Interface</b>	7-16 DIN Female
<b>Color</b>	Black   Silver
<b>dc Interface</b>	SMA Female
<b>Rack Type</b>	EIA 19 in
<b>Rack Units</b>	1
<b>Rx2 Interface</b>	SMA Female

## Environmental Specifications

<b>Ingress Protection Test Method</b>	IEC 60529:2001, IP30
<b>Operating Temperature</b>	0 °C to +50 °C (+32 °F to +122 °F)

## Dimensions

<b>Depth</b>	226.0 mm   8.9 in
<b>Height</b>	43.7 mm   1.7 in
<b>Weight, without mounting hardware</b>	4.3 kg   9.5 lb
<b>Width</b>	482.6 mm   19.0 in

# E15V85P16

## Outline Drawing

