

## Inboard Side Strut Kit for 8 ft, 10 ft, and 12 ft microwave antennas

### Product Classification

**Product Type** Strut kit

### General Specifications

**Diameter, nominal** 2.4 m | 8 ft | 3.0 m | 10 ft | 3.7 m | 12 ft

**Includes** Azimuth adjustment kit | Bracket | Hardware | Strut | Strut collar assembly

**Material Type** Galvanized steel

### Mechanical Specifications

**Aligning Function** Adjustable

**Mounting Pipe Length** 10.50 ft

### Packed Dimensions

**Gross Weight** 51.0 kg | 112.4 lb

**Height** 30.0 cm | 11.8 in

**Length** 330.0 cm | 129.9 in

**Volume** 198000.0 cc

**Width** 20.0 cm | 7.9 in

### Regulatory Compliance/Certifications

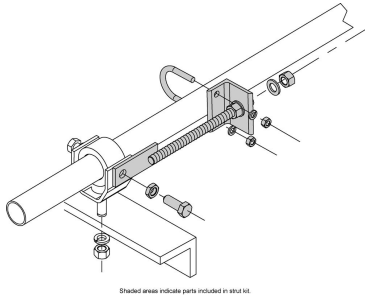
Agency	Classification
ISO 9001:2015	Designed, manufactured and/or distributed under this quality management system



### Included Products

520569 — Azimuth Adjustment Kit





## Azimuth Adjustment Kit

### Product Classification

**Product Type** Strut kit

### General Specifications

**Application** Allows fine movement of antenna during alignment  
**Includes** Hardware | Threaded rod assembly  
**Material Type** Galvanized steel  
**Package Quantity** 1

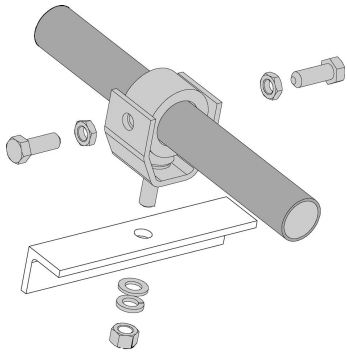
### Packed Dimensions

**Gross Weight** 1.4 kg | 3.1 lb  
**Height** 6.0 cm | 2.4 in  
**Length** 40.0 cm | 15.7 in  
**Volume** 3360.0 cc  
**Width** 14.0 cm | 5.5 in

### Regulatory Compliance/Certifications

<b>Agency</b>	<b>Classification</b>
ISO 9001:2015	Designed, manufactured and/or distributed under this quality management system





Strut Collar Assembly

## Product Classification

**Product Type**                      Strut kit

## General Specifications

**Application**                      Provides tower interface and strut securement point  
**Includes**                              Clamp assembly | Hardware  
**Material Type**                      Galvanized steel  
**Package Quantity**                      1

## Packed Dimensions

**Gross Weight**                      1.5 kg | 3.3 lb  
**Height**                                  6.0 cm | 2.4 in  
**Length**                                  10.0 cm | 3.9 in  
**Volume**                                  600.0 cc  
**Width**                                  10.0 cm | 3.9 in

## Regulatory Compliance/Certifications

**Agency**                              **Classification**  
ISO 9001:2015                      Designed, manufactured and/or distributed under this quality management system

