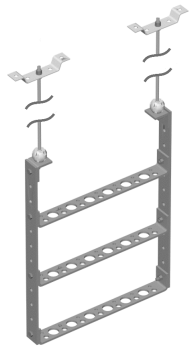


AT-K306-U



Arrestor Trapeze Kit for 7-16 DIN, type N, or bolt-grounded surge arrestors, 3-tier, 6-hole pattern

Product Classification

Product Type Arrestor trapeze kit

Dimensions

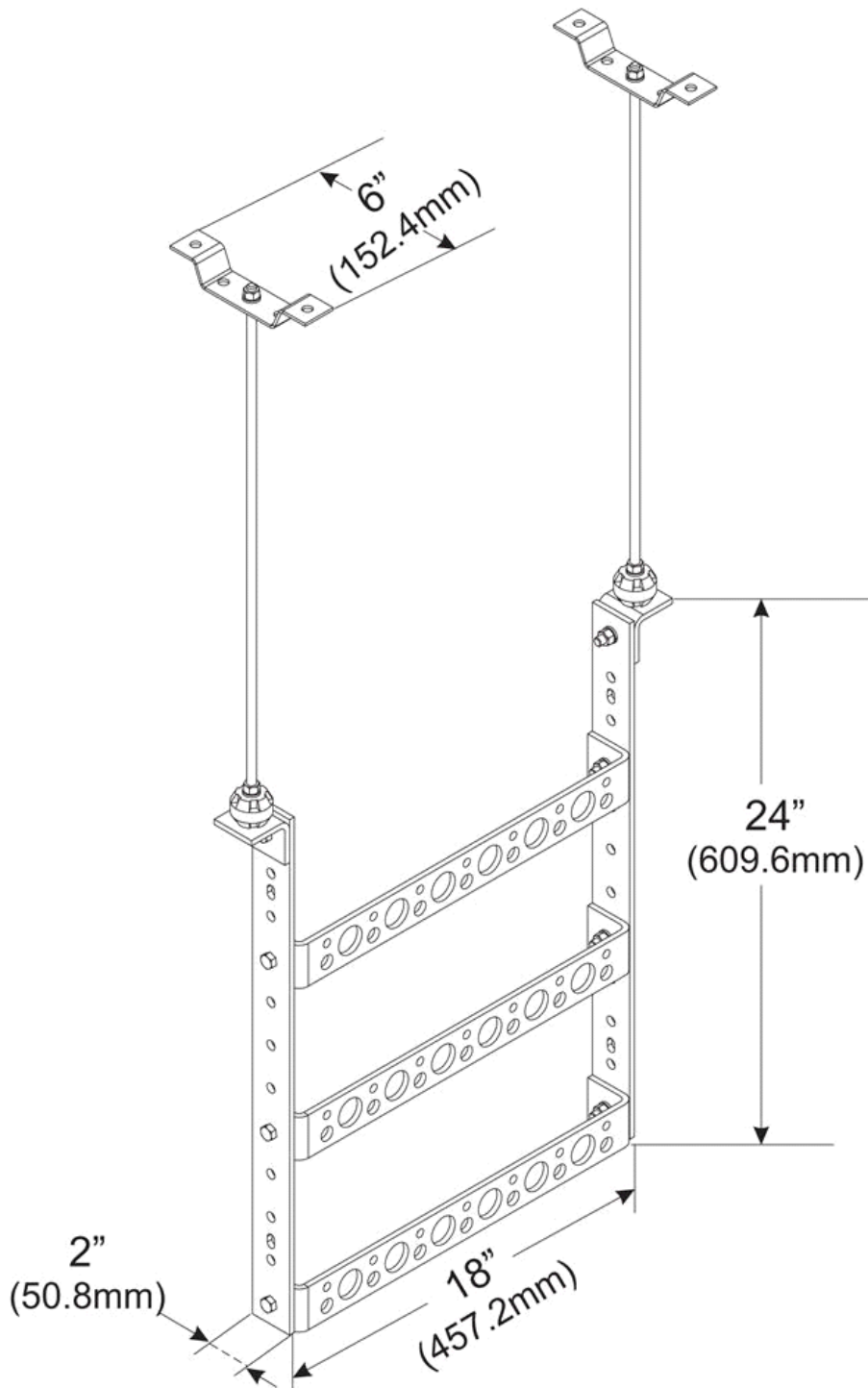
Height 76.2 mm | 3.0 in
Length 1219.2 mm | 48.0 in
Weight 9.7 kg | 21.3 lb
Width 457.2 mm | 18.0 in

General Specifications

Material Type Copper
Includes Ceiling brackets | Threaded rod | Trapeze
Material Thickness 6.4 mm | 1/4 in
Mounting Ceiling | Walls
Package Quantity 1

AT-K306-U

Outline Drawing



Regulatory Compliance/Certifications

AT-K306-U

Agency

ISO 9001:2015

Classification

Designed, manufactured and/or distributed under this quality management system

