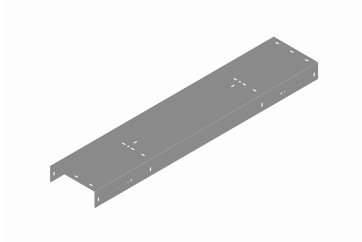


# MT-F501

---



Solid Waveguide Bridge Channel, 12 in x 10 ft

## Product Classification

**Product Type** Waveguide bridge channel

## Dimensions

**Height** 101.6 mm | 4.0 in

**Length** 3.0 m | 10.0 ft

**Weight** 35.4 kg | 78.0 lb

## General Specifications

**Application** Waveguide bridge kit, 12 in

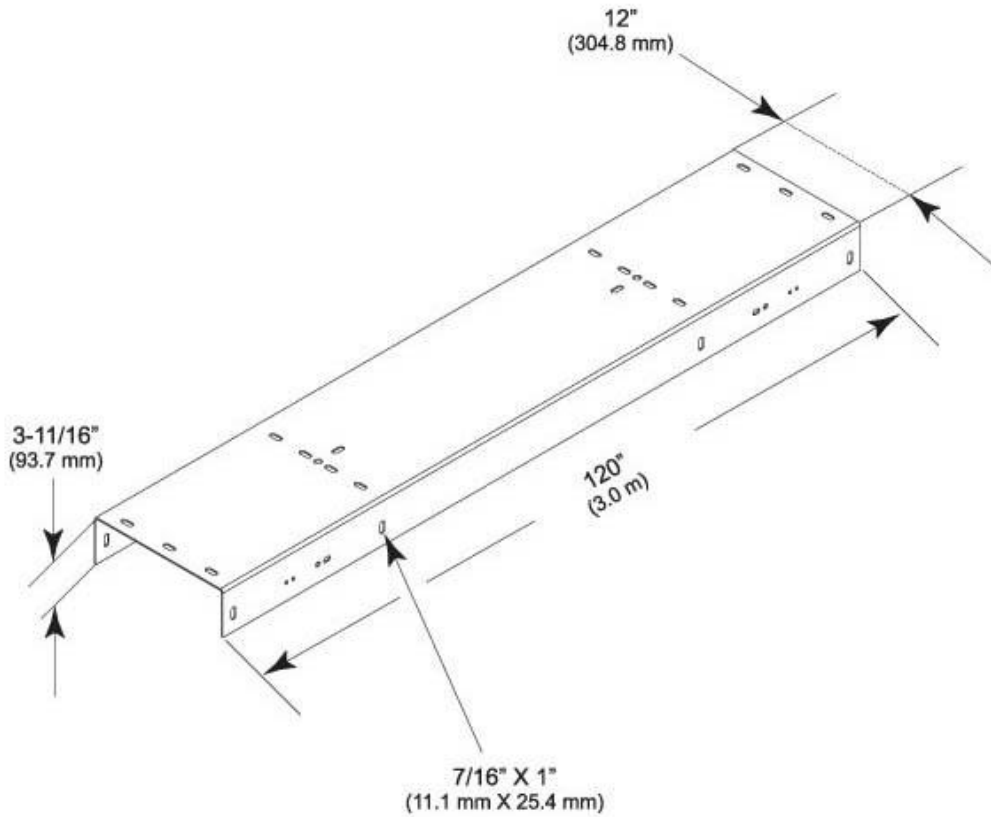
**Includes** Bridge channel

**Material Type** Hot dip galvanized steel

**Mounting** Waveguide bridge support bracket

**Package Quantity** 1

## Outline Drawing



## Regulatory Compliance/Certifications

### Agency

ISO 9001:2015

### Classification

Designed, manufactured and/or distributed under this quality management system

