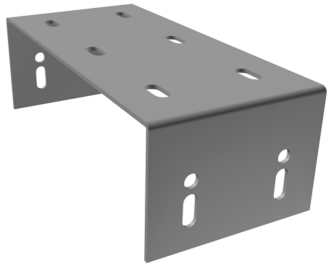


MT-F503



Straight/Hinged Splice

Product Classification

Product Type Splices and splicing kits

Dimensions

Height 127.0 mm | 5.0 in

Length 152.4 mm | 6.0 in

Weight 1.8 kg | 4.0 lb

General Specifications

Application Waveguide bridge kit, 12 in

Includes Hardware | Splices

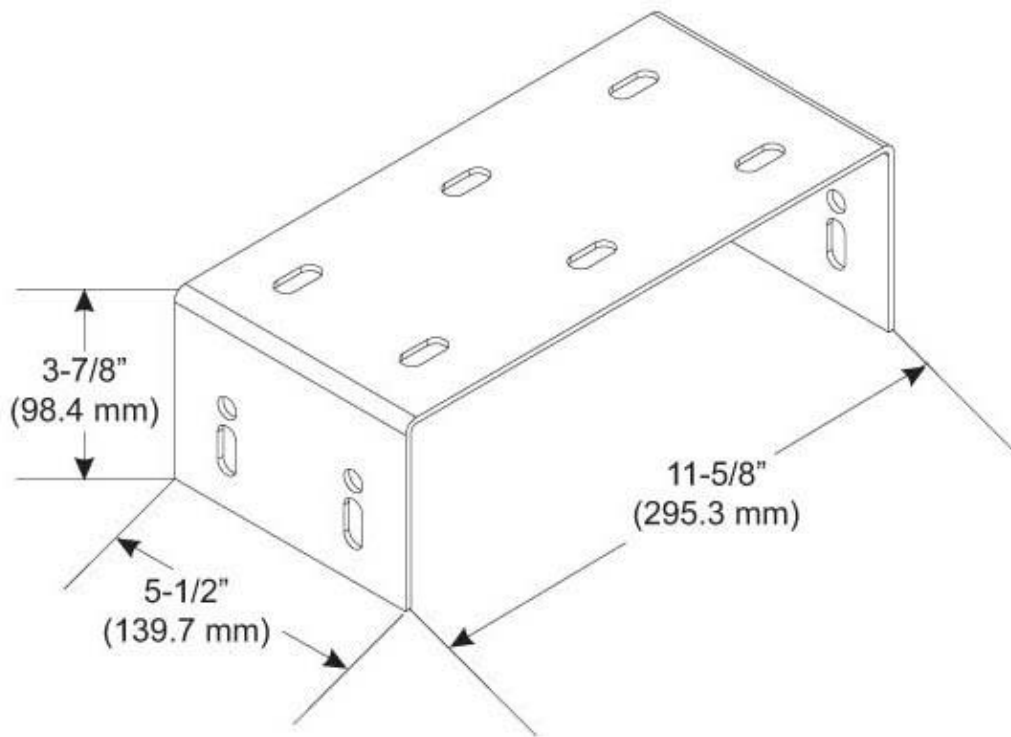
Material Type Hot dip galvanized steel

Mounting Solid waveguide bridge

Package Quantity 1

MT-F503

Outline Drawing



Regulatory Compliance/Certifications

Agency

ISO 9001:2015

Classification

Designed, manufactured and/or distributed under this quality management system

