

Base Shoe for 3-1/2 in OD pipe, hardware included

Product Classification

Product Type Shoe

Dimensions

Height 152.4 mm | 6.0 in

Length 203.2 mm | 8.0 in

Weight 8.7 kg | 19.2 lb

General Specifications

Application Base shoe

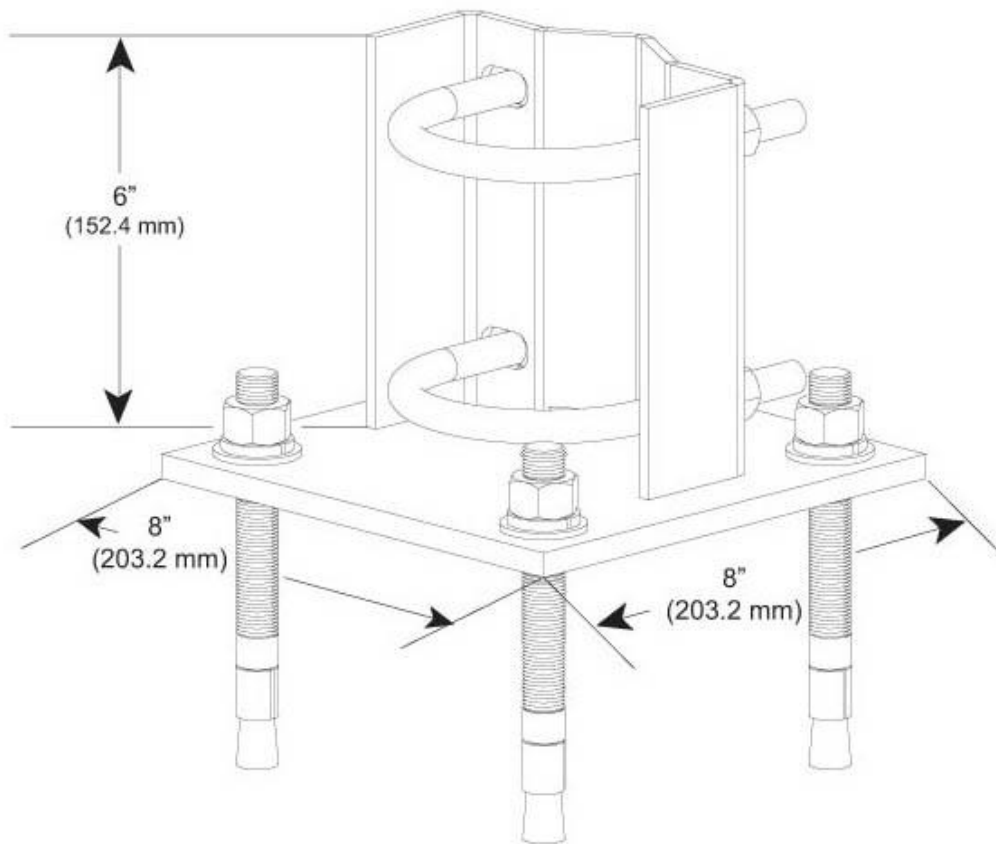
Includes Hardware | Mount

Material Type Hot dip galvanized steel

Mounting Pipe, 88.9 mm (3-1/2 in) OD

Package Quantity 1

Outline Drawing



Regulatory Compliance/Certifications

Agency

ISO 9001:2015

Classification

Designed, manufactured and/or distributed under this quality management system



Included Products

MT-280 — Wedge Anchor, 5/8 in x 6 in