

Waveguide Bridge Corner Filler, 45°

Product Classification

Product Type Waveguide bridge kit

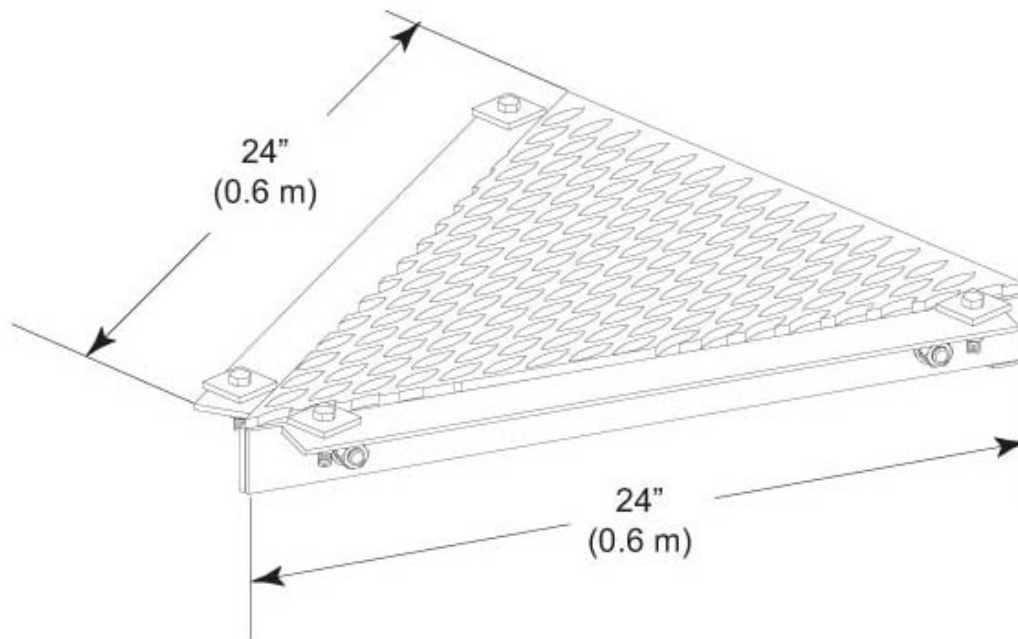
Dimensions

Height 76.2 mm | 3.0 in
Length 609.6 mm | 24.0 in
Weight 14.5 kg | 32.0 lb

General Specifications

Application Waveguide bridge kit, 24 in
Includes Corner modules | Mounting hardware
Material Type Hot dip galvanized steel
Mounting Waveguide bridge kit
Package Quantity 1

Outline Drawing



Regulatory Compliance/Certifications

Agency

ISO 9001:2015

Classification

Designed, manufactured and/or distributed under this quality management system

