



Extension Kit, safety grating

Product Classification

Product Type Waveguide bridge kit

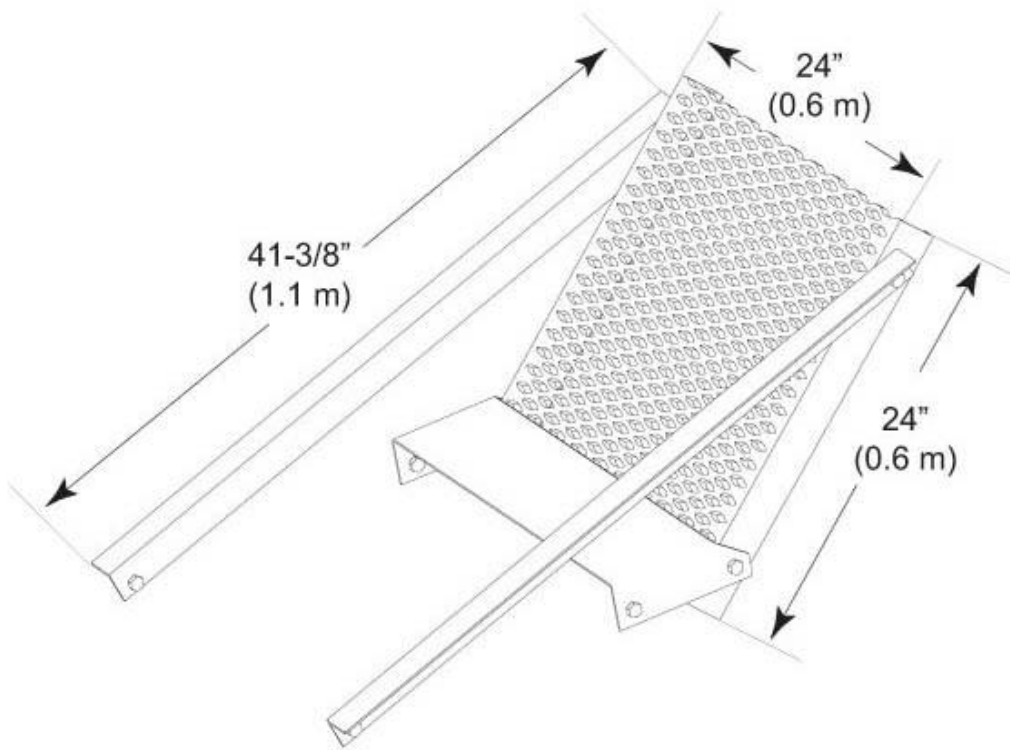
Dimensions

Height 101.6 mm | 4.0 in
Length 609.6 mm | 24.0 in
Weight 34.5 kg | 76.0 lb

General Specifications

Application Waveguide bridge kit, 24 in
Includes Channel support bracket | Hardware
Material Type Hot dip galvanized steel
Mounting Pipe, 88.9 mm (3-1/2 in) OD
Package Quantity 1

Outline Drawing



Regulatory Compliance/Certifications

Agency

ISO 9001:2015

Classification

Designed, manufactured and/or distributed under this quality management system

