

FIST™ Splice Sub-assembly kit with 4 slim element trays, each for holding up to 9 primary coated fibers, with Heat Shrink type splice holder and universal 1x8 splitter holder

- Splice sub-assemblies consists of a wraparound groove plate holding the included splice organizer trays
- Groove plates are designed with slots for routing fiber to and from the organizer trays
- Loop-back facility allowing for single circuit uncut looped fiber storage on the splice tray
- Compliant with most splice types and independent of any optical fiber construction

Product Classification

Product Type	Fiber splice tray
Product Series	FIST-SOSA2
Regional Availability	EMEA
Product Brand	FIST™

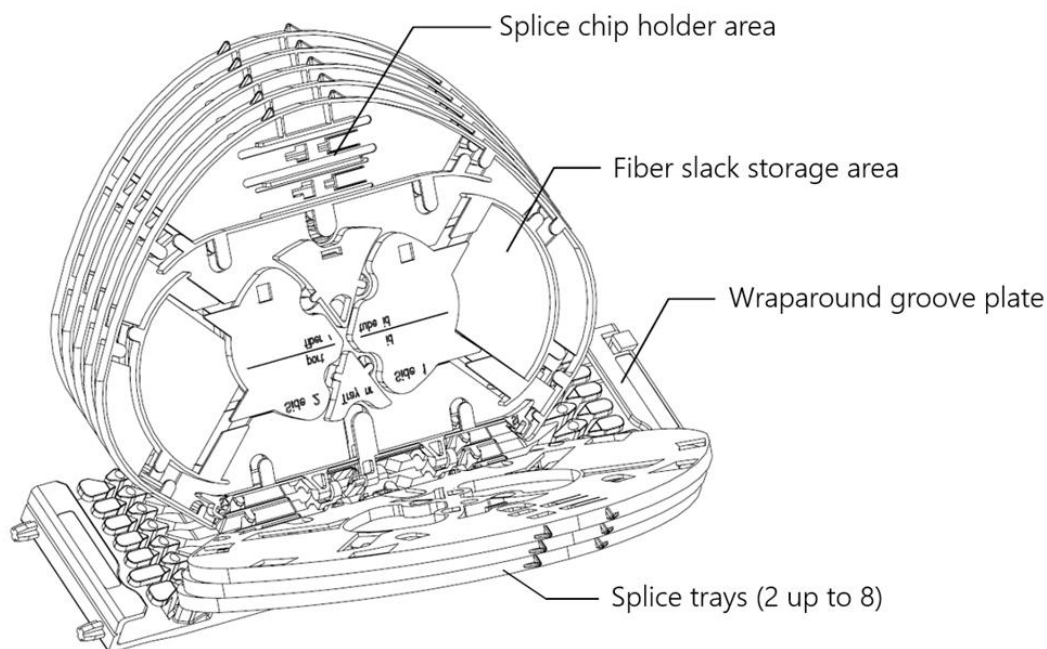
General Specifications

Application	For use with BUDI fiber wall boxes For use with FIST fiber splice closures For use with FIST fiber splice panels
Color	Gray
Fiber Storage Length, maximum	1200 mm for 250 μm fibers
Fiber Storage Length, minimum	650.00 mm 25.59 in
Package, quantity	1
Packaging Type	Bag Carton
Splice Protector Diameter, maximum	2.60 mm 0.10 in
Splice Protector Diameter, minimum	2.20 mm 0.09 in
Splice Protector Length, maximum	47.00 mm 1.85 in
Splice Protector Length, minimum	43.00 mm 1.69 in
Splice Tray Chip Type	Heat shrink
Splice Tray Construction	SLE (Slim element tray for up to 12 primary coated fibers)
Splice Tray Included, quantity	4
Splices per Tray, quantity	9
Used UMS Units, quantity	1

Dimensions

Height	4.00 mm 0.16 in
Length	152.00 mm 5.98 in
Weight	0.10 kg 0.22 lb
Width	105.00 mm 4.13 in

Dimension Drawing



Dimension Drawing

Used as an image placeholder

Mechanical Specifications

Material Type PBT | PET
Minimum Bend Radius, standard 20.00 mm | 0.79 in

Environmental Specifications

Environmental Space Indoor | Outdoor
Relative Humidity 93%, non-condensing
Storage Temperature -40 °C to +70 °C (-40 °F to +158 °F)

Regulatory Compliance/Certifications

Agency
 RoHS 2011/65/EU

Classification
 Compliant



* Footnotes

Used UMS Units, quantity The overall used splice tray height is expressed in UMS units. One UMS unit equals 6 mm.