



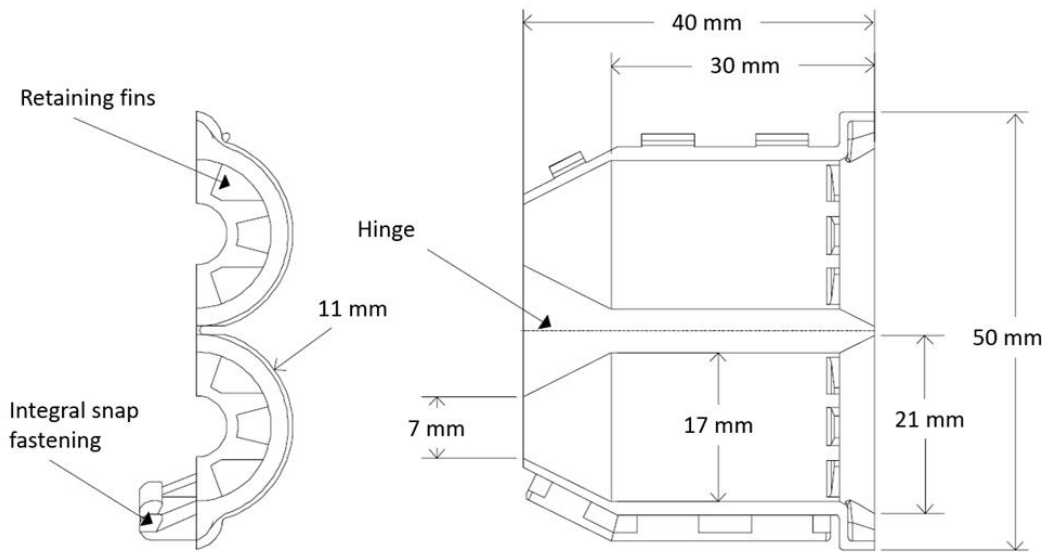
VST Weatherproofing Gel Sealed Termination Boot for F connectors

- Provides long-term corrosion-resistant and gel-based sealing of an F-connector exposed to the outside environment
- One-step installation by placing the VST around the F-connector and clicking the housing together
- Can be reopened and reused at least twenty times, which permits verification, removing and reconnection of the F-connector

Product Classification

Product Type Weatherproofing boot
Regional Availability EMEA | Latin America | North America

Outline Drawing



Outline Drawing Used as an image placeholder

Dimensions

Cable Diameter for Seal, maximum	7.00 mm 0.28 in
Cable Diameter for Seal, minimum	4.00 mm 0.16 in
Inner Diameter	11.00 mm 0.43 in
Length	40.00 mm 1.57 in
Width	21.00 mm 0.83 in

Environmental Specifications

Operating Temperature -30 °C to +60 °C (-22 °F to +140 °F)

General Specifications

Application Provides additional moisture seal for cable connections

Color Black

Material Type Engineered plastic

Package Quantity 1

Regulatory Compliance/Certifications

Agency
RoHS 2011/65/EU

Classification
Compliant

