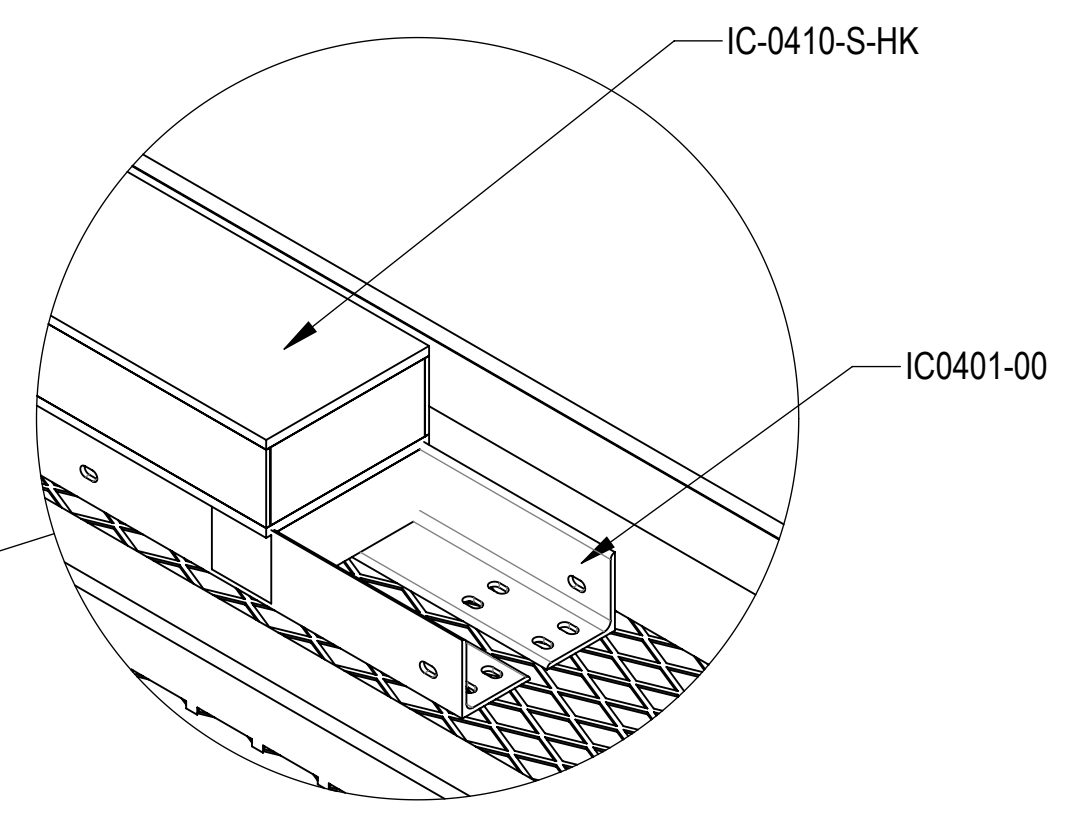
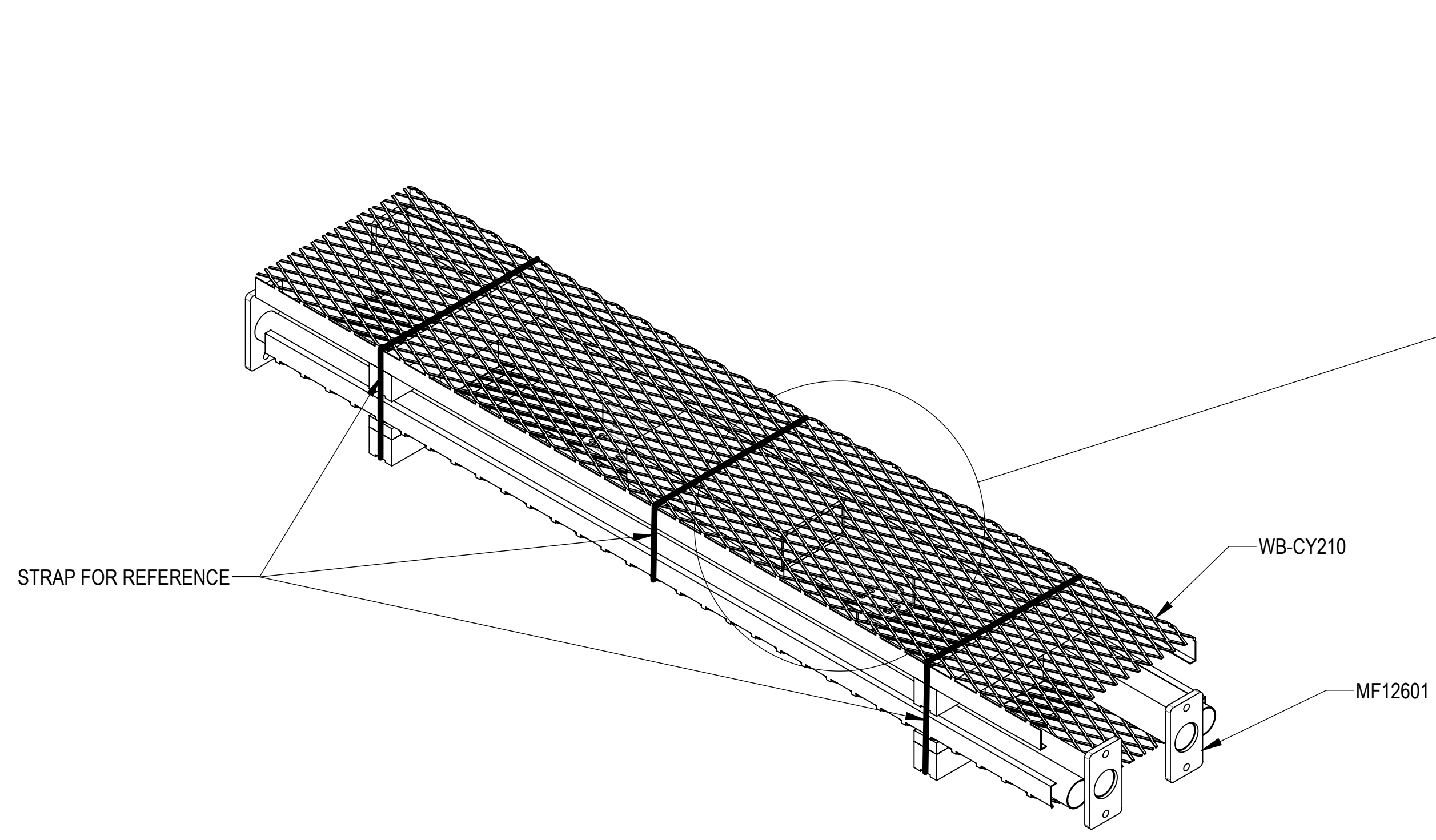


- 1.0 GENERAL NOTES
 1.1 ALL METRIC DIMENSIONS ARE IN BRACKETS [X. X]
 1.2 FOR PATENT INFO: <https://www.cs-pat.com>
- 2.0 DESIGN NOTES
 2.1 ANY HAZARDS OR OBSTRUCTIONS TO THE CLIMBING FACILITY AND SAFETY CLIMB MUST BE IDENTIFIED PRIOR TO INSTALLING THE APPURTENANCE. ADDITIONAL PRODUCTS MAY BE REQUIRED TO MAINTAIN THE INTEGRITY OF THE SAFETY CLIMB. DURING INSTALLATION, TEMPORARY AND/OR PERMANENT PRECAUTIONARY MEASURES SHOULD BE TAKEN TO PRESERVE THE CLIMBING FACILITY AND/OR SAFETY CLIMB.
- 3.0 MANUFACTURING/SPECIAL REQUIREMENTS
 3.1 TIGHTEN ALL BOLTS SECURING FLAT PLATES BY THE TURN-OF-NUT METHOD. TIGHTEN ALL U-BOLTS USING TURN-OF-NUT METHOD WITH ATTENTION TO LEAVE EQUAL DISTANCE AND EQUAL FORCE ON EACH LEG OF THE U-BOLT.
 3.2 INSTALLER WILL NEED TO FIELD DRILL HOLES IN SAFETY GRATE FOR CONNECTION OF ANGLE BRACKETS. SPRAY COLD GALV AFTER DRILLING
- 4.0 TEST
- 5.0 PACKAGING
 5.1 PACKAGING SHALL MEET COMMSCOPE REQUIREMENTS PER DOCUMENT IS-PL-3005
 5.2 PRINTED DOCUMENT TO BE PLACED INSIDE POLYBAG AND THEN IN SHIPPING CONTAINER
 5.3 EXTRA HARDWARE MAY BE SUPPLIED, BAGGED AND SHIPPED

REVISIONS			
REV.	DESCRIPTION	DATE	APPROVED
A	INITIAL RELEASE	LL1090 24APR24	RW1043 40194048CMO
B	WB-CY210-CTM WAS WB-CY210-CTM-00	LL1090 09MAY24	RW1043 40195189CMO
C	REPLACED ITEM "1" FROM WB-CY210-CTM TO CURRENT; ADDED PACKAGE VIEW	RW1043 5/23/2024	LMCDOWEL 40196422CMO



COMMSCOPE, INC. OF NORTH CAROLINA											
TOLERANCES						SAP MATERIAL MASTER					
1 PLACE .X[X] ± 0.5 [13]			3 PLACE .XXX[X] ± 0.125 [3.18]			IC-0410-S					
2 PLACE .XX[X] ± 0.25 [6.4]			ANGLES ± 2°			FINISH SEE BOM					
FINISH SEE BOM						MATERIAL SEE BOM					
UNLESS OTHERWISE SPECIFIED DIMENSIONS ARE IN INCHES INTERPRET PER ANSI Y 14.5M-1994	NAME	DATE	TITLE								
	CE LL1090	24APR24	CANOPY, ICE BRIDGE, 4 X 10, BASE SHOE								
	RW LL1090	05/27/2024	SCALE DOCUMENT NO.								
	AD RW1043	05/28/2024	1:16			IC-0410-S					
	RE RW1043	05/28/2024	ECN 40196422CMO								
SIZE	Auth Group	INSL	MODEL			DRAWING			SHEET		
C	⊕	◁	VERSION	STATUS	REVISION	VERSION	STATUS	REVISION	1 OF 2		
			00	RE	A	02	RE	C			

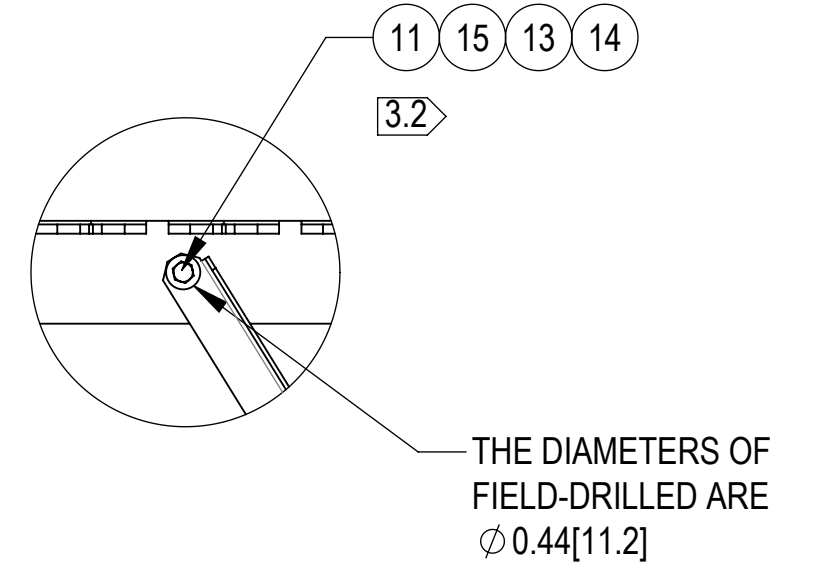
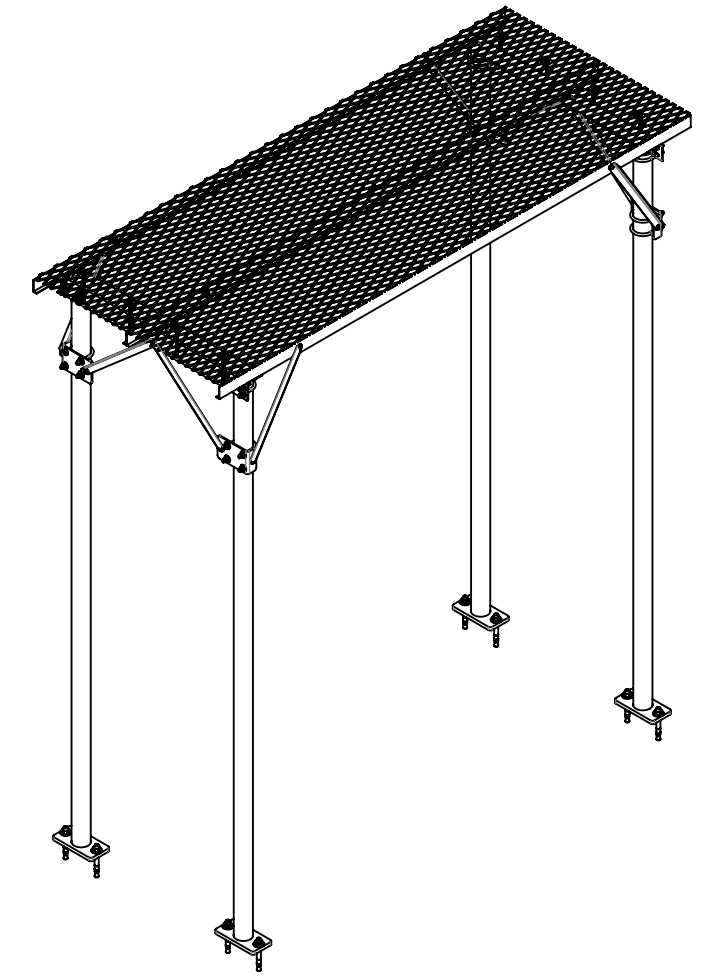
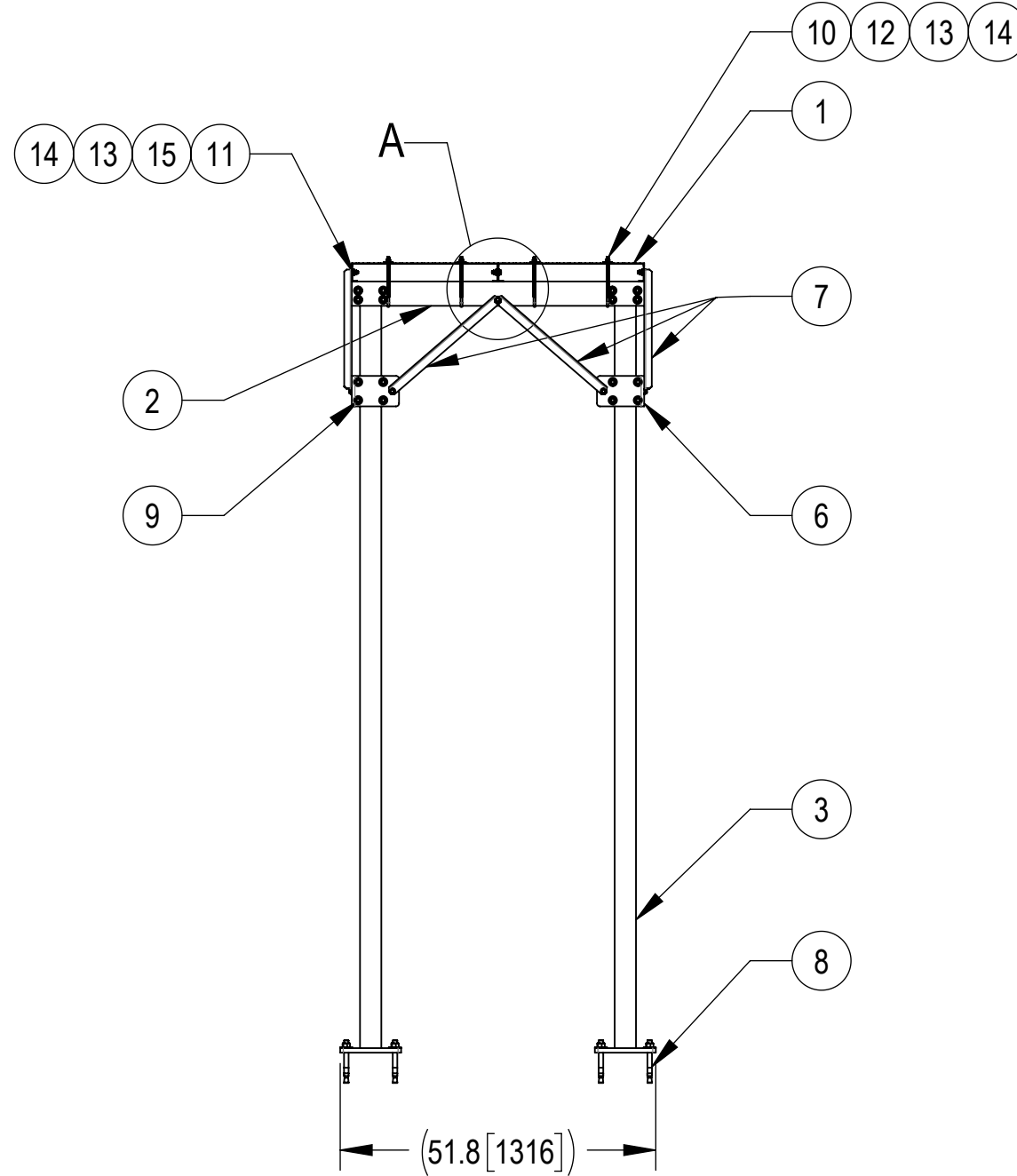
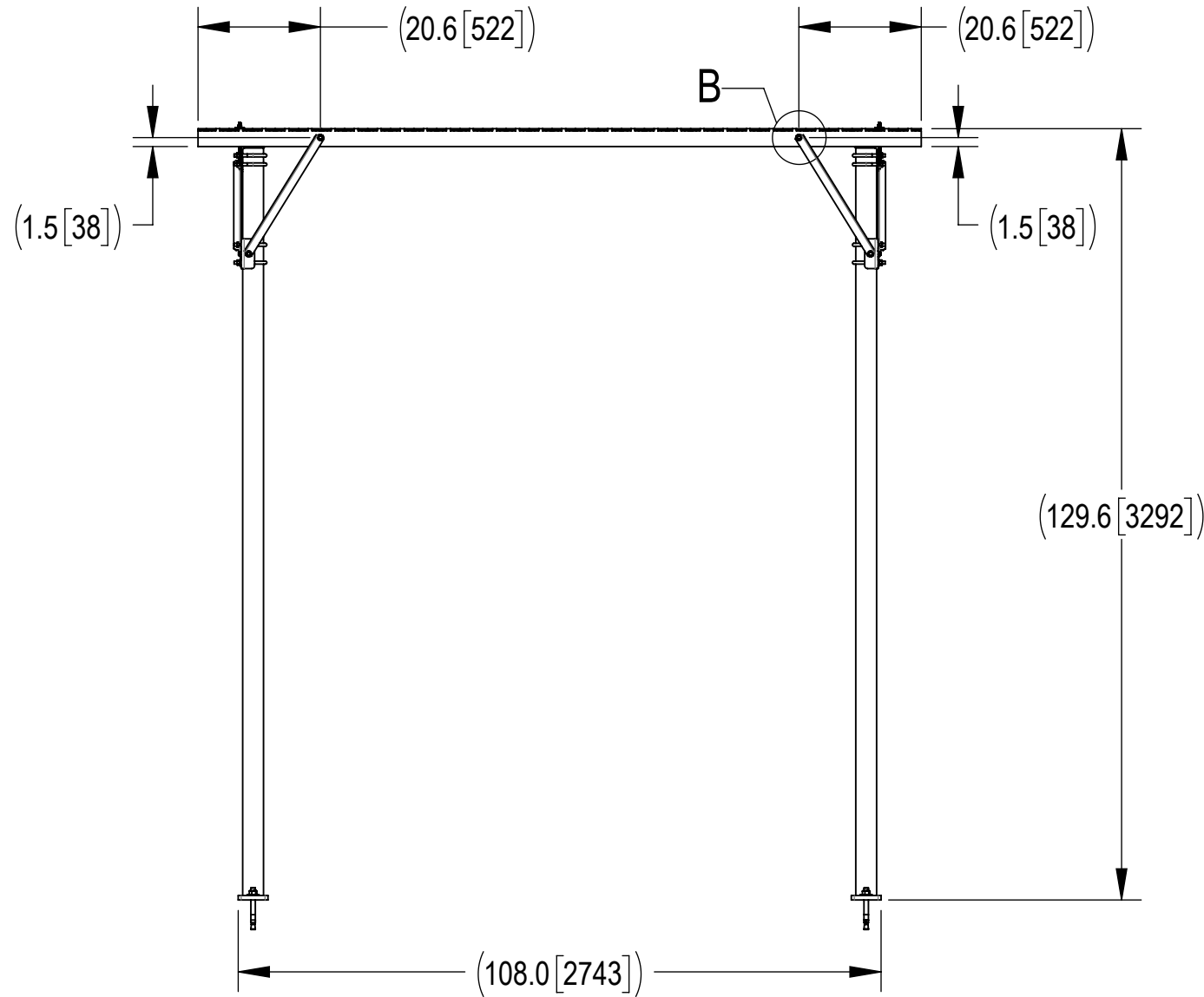
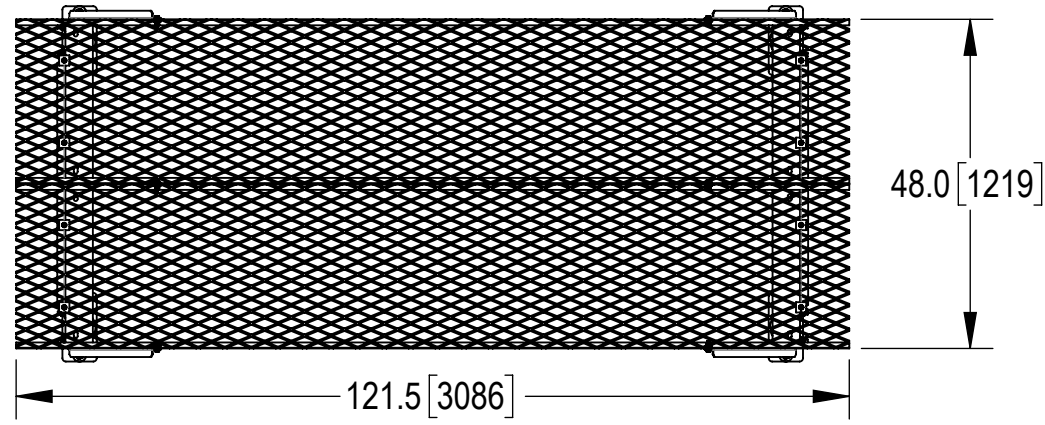
DENSITY	lbs/in³
MASS	lbs
VOLUME	in³
SURFACE AREA	in²
HEIGHT	129.6"
LENGTH	121.5"
WIDTH	51.8"

4

3

2

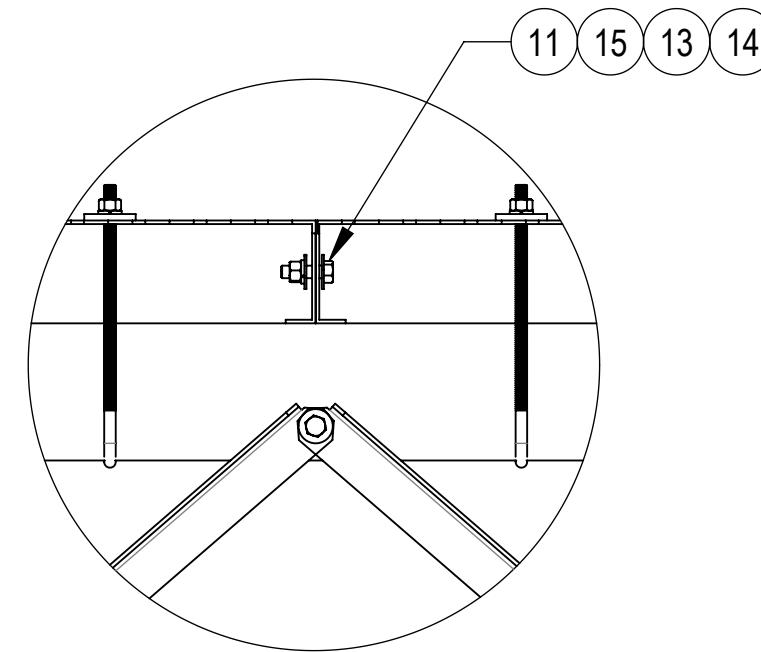
1



DETAIL B
SCALE 5 : 28

COMPONENT PART NUMBERS PROVIDED FOR ASSEMBLY PURPOSES;
INDIVIDUAL COMPONENTS MAY BE SHIPPED AS PARTS WITHIN AN INCLUDED KIT.

ITEM NO.	PART NUMBER	DESCRIPTION	QTY.	WEIGHT	NOTE NO.
1	WB-CY210	SAFETY GRATED WAVEGUIDE BRIDGE CHANNEL, GALV	2	49.84 LBS	
2	IC0401-00	4' ICE SHIELD SUPPORT BRACKET	2	25.81 LBS	
3	MF12601	BASE SHOE WELDMENT, 10' 6"	4	53.81 LBS	
4	IC-0410-S-HK	HARDWARE KIT FOR IC-0410-S	1		
		ALL ITEMS BELOW THIS ROW SHALL BE PART OF HW-KIT			
6	MTC4130-4999-00	CANOPY BRACE ADAPTER	4	3.20 LBS	
7	MTC4130-4998-00	BRACE, L-SHAPED, 2 HOLES	8	1.99 LBS	
8	MT-287	3/4" ANCHOR BOLT	8	1.08 LBS	5.3
9	GUB-4355	1/2" X 3-5/8" X 5" GALV U-BOLT	16	0.71 LBS	5.3
10	GJB0380	8" GALV J-BOLT KIT	8	0.23 LBS	5.3
11	GB-03125	3/8" X 1-1/4" GALV BOLT KIT	16	0.06 LBS	5.3
12	MT-387	SQUARE WASHER 1-1/2"X1-1/2" W/ 7/16 HOLE	8	0.11 LBS	5.3
13	GWL-03	3/8" GALV LOCK WASHER	24	0.01 LBS	5.3
14	GN-03	3/8" GALV HEX NUT	24	0.02 LBS	5.3
15	GWF-03	3/8" GALV FLAT WASHER	32	0.01 LBS	5.3
16	IC-0410-S	REF. DOC	1	0.01 LBS	5.2



DETAIL A
SCALE 5 : 28

COMMScope, INC. OF NORTH CAROLINA				
TITLE CANOPY, ICE BRIDGE, 4 X 10, BASE SHOE				
SIZE C	SCALE 1:32	DOCUMENT NO. IC-0410-S		
DRAWING		VERSION	STATUS	REVISION
SHEET 2 OF 2		02	RE	C

4

3

2

1