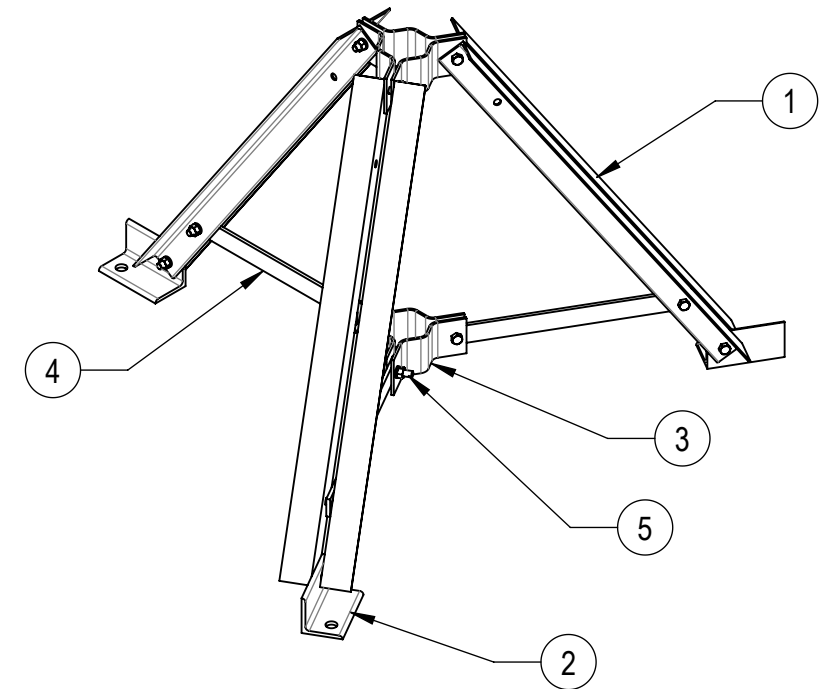
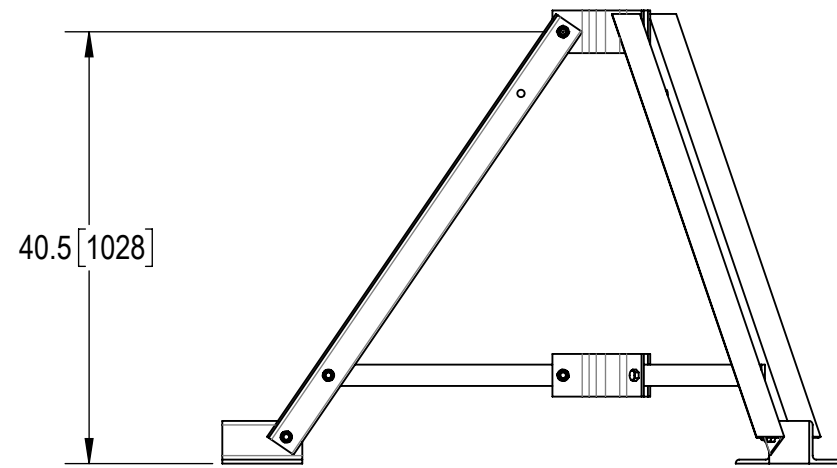
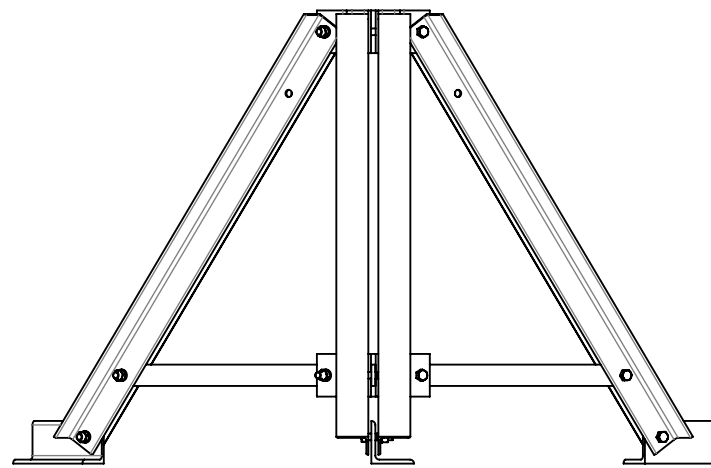
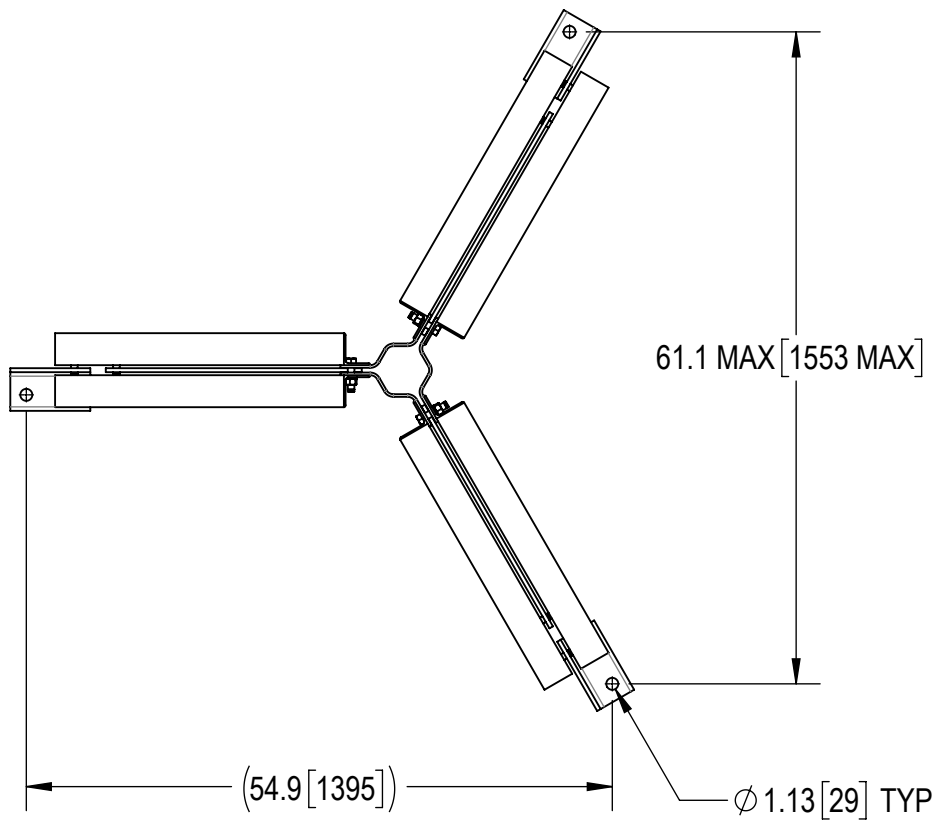


- 1.0 GENERAL NOTES  
 1.1 ALL METRIC DIMENSIONS ARE IN BRACKETS [X.X]  
 1.2 FOR PATENT INFO: <https://www.cs-pat.com>  
 2.0 DESIGN NOTES  
 3.0 MANUFACTURING/SPECIAL REQUIREMENTS  
 3.1 TIGHTEN ALL BOLTS SECURING FLAT PLATES BY THE TURN-OF-NUT METHOD. TIGHTEN ALL U-BOLTS USING TURN-OF-NUT METHOD WITH ATTENTION TO LEAVE EQUAL DISTANCE AND EQUAL FORCE ON EACH LEG OF THE U-BOLT.  
 4.0 TEST  
 5.0 PACKAGING  
 5.1 PACKAGING SHALL MEET COMMSCOPE REQUIREMENTS PER DOCUMENT IS-PL-3005  
 5.2 PRINTED DOCUMENT TO BE PLACED INSIDE POLYBAG AND THEN IN SHIPPING CONTAINER  
 5.3 EXTRA HARDWARE MAY BE SUPPLIED, BAGGED AND SHIPPED

REVISIONS			
REV.	DESCRIPTION	DATE	APPROVED
F	INITIAL RELEASE	LL1090 20JUN24	BA1025 40198577CMO


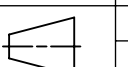


COMPONENT PART NUMBERS PROVIDED FOR ASSEMBLY PURPOSES;  
 INDIVIDUAL COMPONENTS MAY BE SHIPPED AS PARTS WITHIN AN INCLUDED KIT.

ITEM NO.	PART NUMBER	DESCRIPTION	QTY.	WEIGHT	NOTE NO.
1	TPG412B09	TRIPOD LEG ANGLE	6	14.74 LBS	
2	TPG412B07	FOOT FOR TPG SERIES TRIPOD	3	5.84 LBS	
3	TPG412B02	4-1/2" TRIPOD CLAMP	6	3.05 LBS	
4	TPG412B04	LEG BRACE (EA)	3	4.99 LBS	
5	GB-05245	5/8" X 2-1/2" GALV BOLT KIT	12	0.30 LBS	

DENSITY		lbs/in <sup>3</sup>
MASS	144.19	lbs
VOLUME	511.67	in <sup>3</sup>
SURFACE AREA	4818.65	in <sup>2</sup>
HEIGHT	42.5"	
LENGTH	65.7"	
WIDTH	58.2"	

© 2024 CommScope, Inc. Confidential

<b>COMMSCOPE, INC. OF NORTH CAROLINA</b>					
TOLERANCES			SAP MATERIAL MASTER		
1 PLACE .X[X] ± 0.12[3.0]		3 PLACE .XXX[X] ± 0.030[0.8]		<b>TP-G412-B</b>	
2 PLACE .XX[X] ± 0.06[1.5]		ANGLES ± 2°			
FINISH			MATERIAL		
UNLESS OTHERWISE SPECIFIED DIMENSIONS ARE IN INCHES INTERPRET PER ANSI Y 14.5M-1994	NAME	DATE	TITLE		
	CE LL1090	20JUN24	<b>UNIVERSAL TRIPOD BASE, 4-1/2"(KIT/1)</b>		
	RW LL1090	06/20/2024			
	AD YMENG	06/21/2024	SCALE	DOCUMENT NO.	
	RE YMENG	06/21/2024	<b>1:12</b>	<b>TP-G412-B</b>	
ECN 40198577CMO			DRAWING		
SIZE	Auth Group	INSL	MODEL	DRAWING	
<b>C</b>	 	VERSION	STATUS	REVISION	SHEET
		02	RE	H	1 OF 1
			VERSION	STATUS	REVISION
			00	RE	F