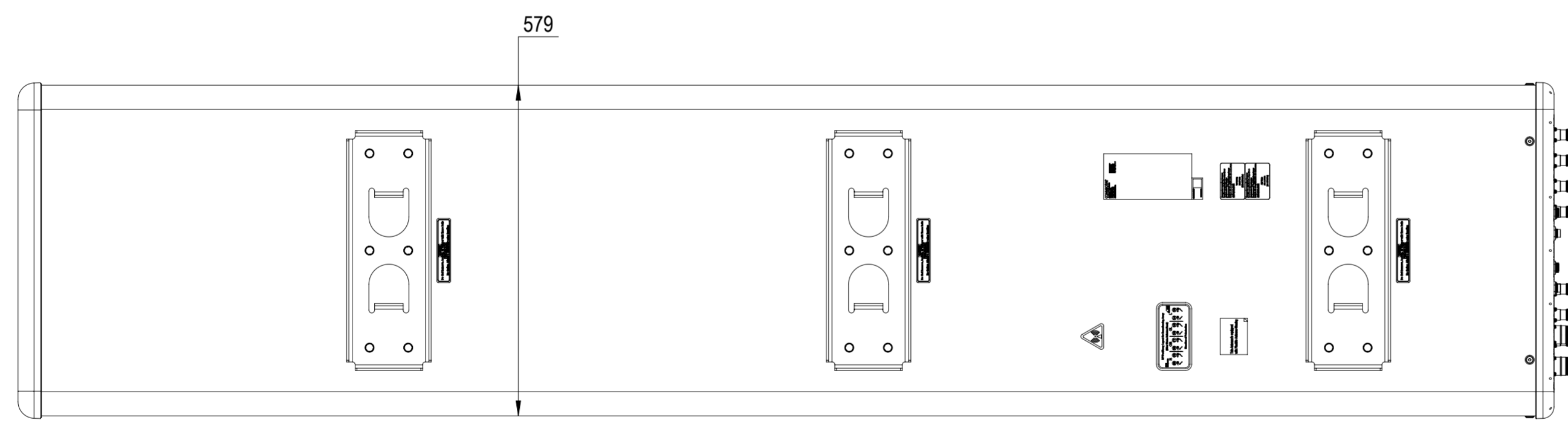
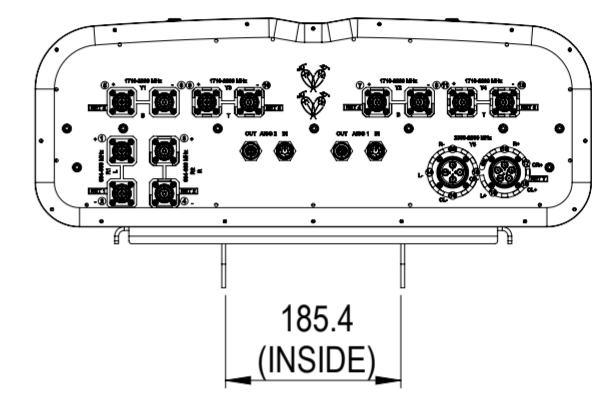
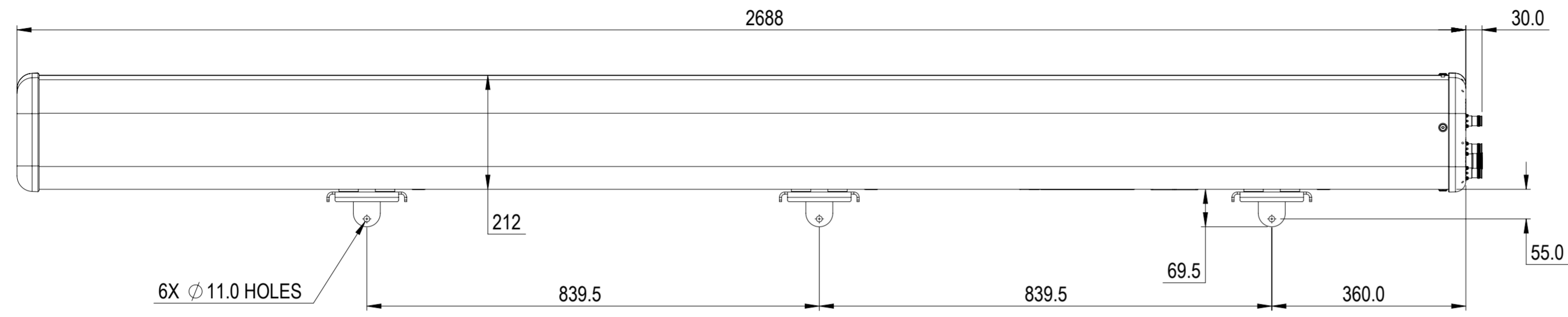


REVISIONS			
REV.	DESCRIPTION	DATE	APPROVED
A	ECR 40192448CMO: RELEASE TO PRODUCTION PER EAO 613391.	09APR24 K.W	R.SU / YWQ



RR2VVT4-6533D-R7V4

COMMSCOPE, INC. OF NORTH CAROLINA

TOLERANCES		SAP MATERIAL MASTER	
0 PLACE X ±	2 PLACE .XX ±		
1 PLACE .X ±	ANGLES ±		
FINISH		MATERIAL	
<small>UNLESS OTHERWISE SPECIFIED DIMENSIONS ARE IN MILLIMETERS INTERPRET PER ISO STANDARDS HANDBOOK TECHNICAL DRAWINGS VOLUMES 1 & 2, THIRD EDITION (2002)</small>		NAME	DATE
		CE K.W	04/10/2024
		RW XIAOWANG	04/10/2024
		AD QW1003	04/11/2024
		RE XIAOWANG	04/11/2024
ECN 40192448CMO		SCALE	DOCUMENT NO.
		1:8	RR2VVT4-6533D-R7V4-L
SIZE	Auth Group	BSA	MODEL
A2			VERSION STATUS REVISION
			VERSION STATUS REVISION
			00 RE A 00 RE A
			DRAWING SHEET
			1 OF 1

DENSITY	g/mm ³
MASS	grams
VOLUME	mm ³
SURFACE AREA	mm ²
HEIGHT	
LENGTH	
WIDTH	