

4

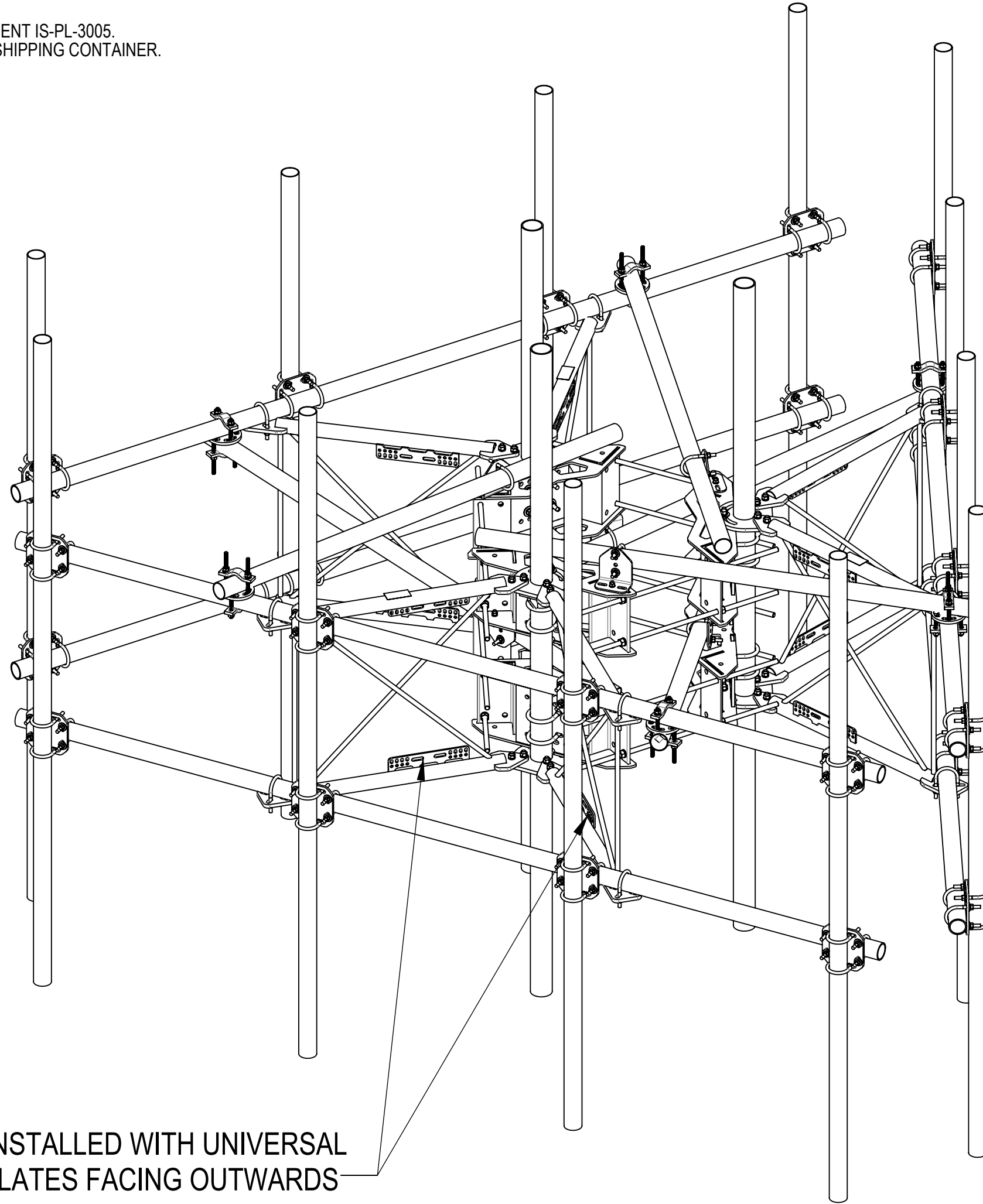
3

2

1

- 1.0 GENERAL NOTES
 - 1.1 ALL METRIC DIMENSIONS ARE IN BRACKETS [X. X]
 - 1.2 FOR PATENT INFO: <https://www.cs-pat.com>
- 2.0 DESIGN NOTES
 - 2.1 ANY HAZARDS OR OBSTRUCTIONS TO THE CLIMBING FACILITY AND SAFETY CLIMB MUST BE IDENTIFIED PRIOR TO INSTALLING THE APPURTENANCE. ADDITIONAL PRODUCTS MAY BE REQUIRED TO MAINTAIN THE INTEGRITY OF THE SAFETY CLIMB. DURING INSTALLATION, TEMPORARY AND/OR PERMANENT PRECAUTIONARY MEASURES SHOULD BE TAKEN TO PRESERVE THE CLIMBING FACILITY AND/OR SAFETY CLIMB.
 - 2.2 FITS MONOPOLES 28" TO 50" OD. MONOPOLE DIAMETER MUST BE GREATER THAN OR EQUAL TO 28" TO MEET ANTENNA TO ANTENNA CORNER SPACING OF >24".
- 3.0 MANUFACTURING/SPECIAL REQUIREMENTS
 - 3.1 TIGHTEN ALL BOLTS SECURING FLAT PLATES BY THE TURN-OF-NUT METHOD. TIGHTEN ALL U-BOLTS USING TURN-OF-NUT METHOD WITH ATTENTION TO LEAVE EQUAL DISTANCE AND EQUAL FORCE ON EACH LEG OF THE U-BOLT.
- 4.0 TEST
- 5.0 PACKAGING
 - 5.1 PACKAGING SHALL MEET COMMSCOPE REQUIREMENTS PER DOCUMENT IS-PL-3005.
 - 5.2 PRINTED DOCUMENT TO BE PLACED INSIDE POLYBAG AND THEN IN SHIPPING CONTAINER.
 - 5.3 EXTRA HARDWARE MAY BE SUPPLIED, BAGGED AND SHIPPED.

REVISIONS			
REV.	DESCRIPTION	DATE	APPROVED
A	INITIAL RELEASE	JL1183 07MAY24	CB1094 40194988CMO
B	V-ARM SFG2292-00 (ITEM 3) WAS SFG2278; SHEET5: ADDED V-ARM DETAIL VIEW	JL1183 12JUL24	CB1094 40200155CMO



SHOULD BE INSTALLED WITH UNIVERSAL
INTERFACE PLATES FACING OUTWARDS

COMMSCOPE, INC. OF NORTH CAROLINA

TOLERANCES		SAP MATERIAL MASTER							
0 PLACE X[X] ± 0.25[6.3]	2 PLACE .XX[X] ± 0.06[1.5]	MCG22RHDX-13M12120							
1 PLACE .X[X] ± 0.12[3.0]	ANGLES ± 2°								
FINISH		MATERIAL							
UNLESS OTHERWISE SPECIFIED DIMENSIONS ARE IN INCHES INTERPRET PER ANSI Y 14.5M-1994		NAME	DATE	TITLE					
		CE JL1183	07MAY24	PG,MP,SF,13'FP,(12)120"AP					
		RW JL1183	07/15/2024						
		AD CB1094	07/18/2024	SCALE	DOCUMENT NO.				
		RE YMENG	08/05/2024	1:20	MCG22RHDX-13M12120				
ECN 40200155CMO									
SIZE	Auth Group	INSL	MODEL	DRAWING		SHEET			
C			VERSION	STATUS	REVISION	VERSION	STATUS	REVISION	1 OF 5
			01	RE	B	01	RE	B	

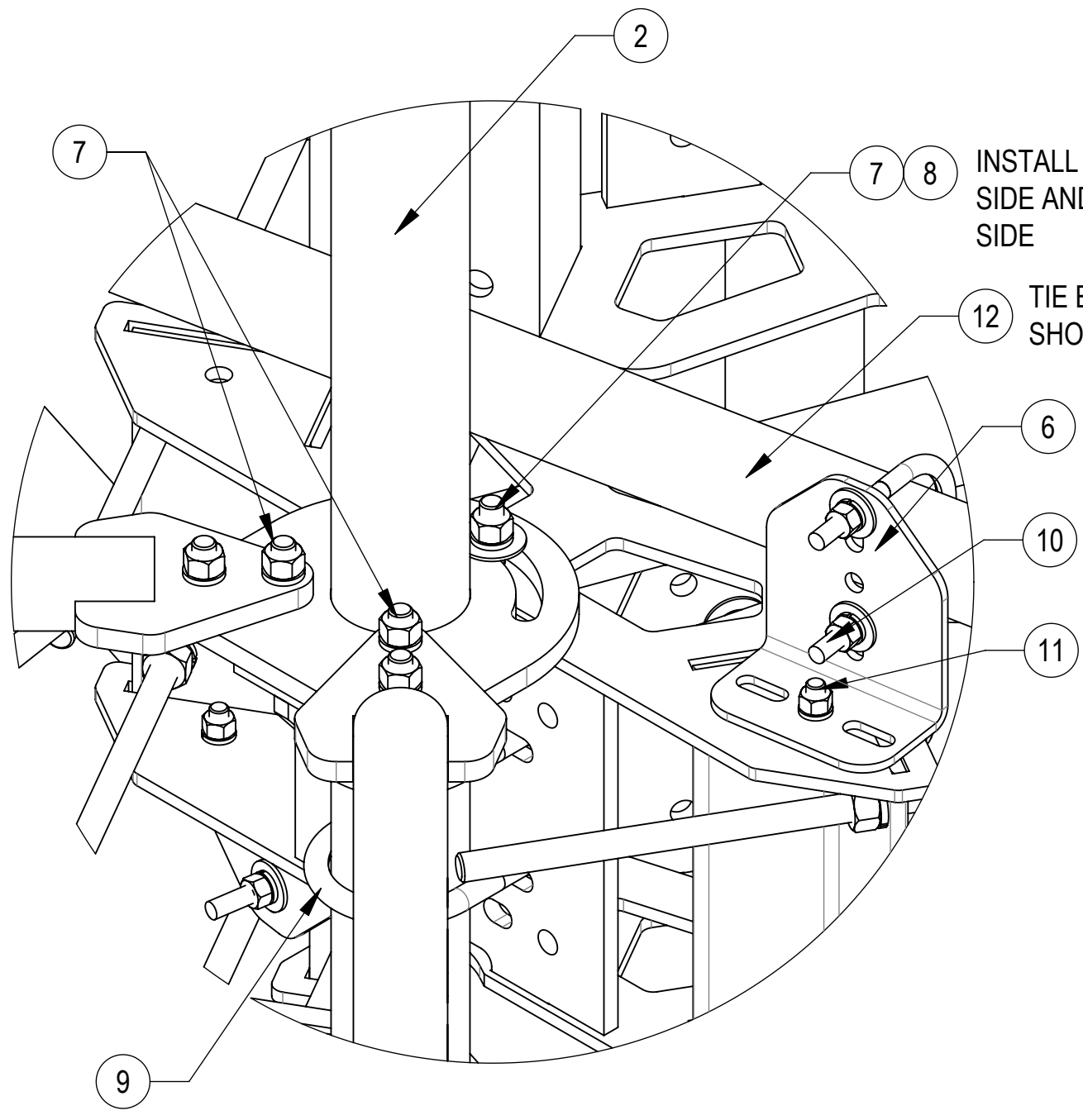
DENSITY		lbs/in ³
MASS	2382.39	lbs
VOLUME	9704.57	in ³
SURFACE AREA	92193.06	in ²
HEIGHT	120"	
LENGTH	156"	
WIDTH	84"	

4

3

2

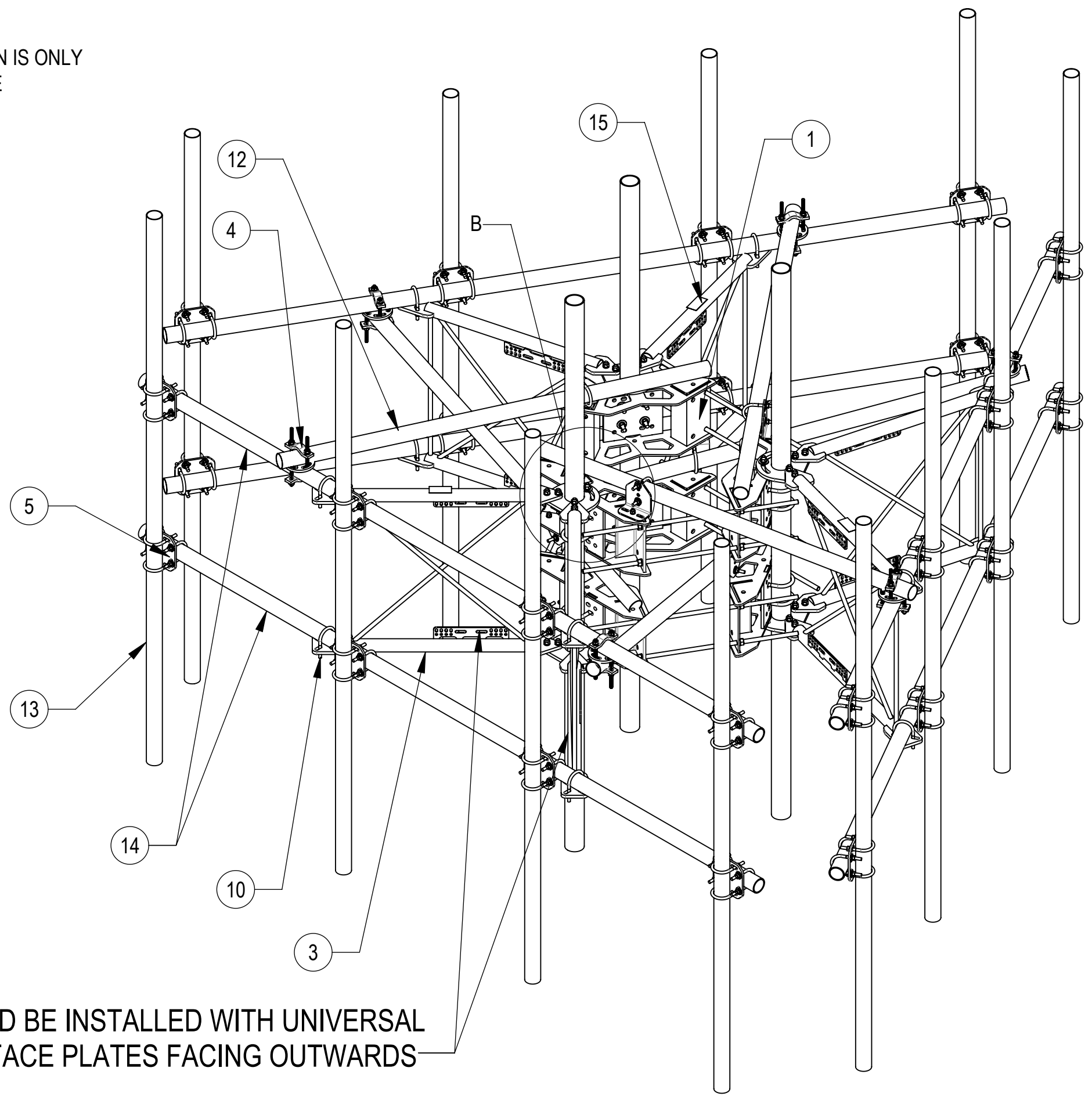
1



INSTALL FLAT WASHER ON NEAR SIDE AND LOCK WASHER ON FAR SIDE

TIE BACK PIPE POSITION IS ONLY SHOWN AS REFERENCE

DETAIL B
SCALE 1:4

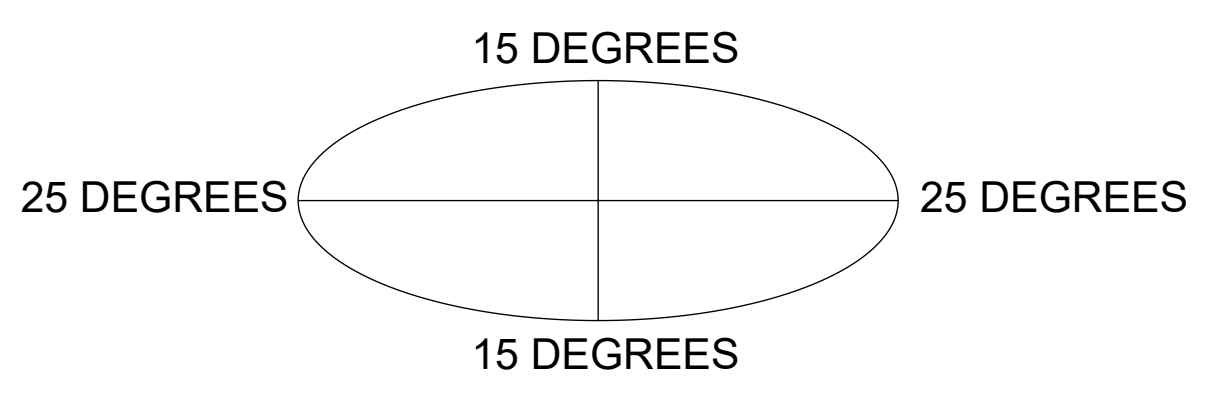


SHOULD BE INSTALLED WITH UNIVERSAL INTERFACE PLATES FACING OUTWARDS

COMPONENT PART NUMBERS PROVIDED FOR ASSEMBLY PURPOSES;
INDIVIDUAL COMPONENTS MAY BE SHIPPED AS PARTS WITHIN AN INCLUDED KIT.

ITEM	PART NO.	DESCRIPTION	QTY.	WEIGHT	NOTE NO.
1	MC-RM1550-3	15" - 50" OD RINGMOUNT	2	229.90 LBS	
2	SFG2204	WELDMENT, BACK VERTICAL ARM MOUNT	3	36.96 LBS	
3	SFG2292-00	WELDMENT, V-ARM, SECTOR FRAME 22	6	49.69 LBS	
4	XP-R	CROSSOVER PLATE, ROUND, UP TO 3.5" OD	6	6.20 LBS	
5	XP-2525	CROSSOVER PLATE KIT, 2-7/8 OD X 2-7/8 OD	24	8.37 LBS	
6	XAU01	ANGLE, CROSSOVER, 1.9-3.5" X 1.9-3.5" OD	6	2.98 LBS	
7	GB-05225	5/8" X 2-1/4" GALV BOLT KIT	30	0.28 LBS	
8	GWF-05	5/8" GALV FLAT WASHER, 1.70D	6	0.06 LBS	
9	GUB-53560	5/8" X 3-5/8" X 6" GALV U-BOLT	12	1.30 LBS	
10	GUB-4352	1/2" X 3" X 5-1/4" GALV U-BOLT	18	0.71 LBS	
11	GB-04145	1/2" X 1-1/2" GALV BOLT KIT	6	0.13 LBS	
12	MT546084120	2.88" OD X 84" LONG PIPE	6	24.81 LBS	
13	MT546120120	PIPE, 2.875"OD X 120"	12	35.44 LBS	
14	MT546156	2.875" O.D. X 156" PIPE	6	75.58 LBS	
15	SFG2295	LABEL, SFG22RHDX	3	0.04 LBS	

ALLOWABLE TIEBACK ANGLE
 ±15 DEGREES VERTICAL
 ±25 DEGREES HORIZONTAL



COMMSCOPE, INC. OF NORTH CAROLINA				
TITLE PG,MP,SF,13'FP,(12)120"AP				
SIZE C	SCALE 1:20	DOCUMENT NO. MCG22RHDX-13M12120		
DRAWING		REVISION		SHEET
VERSION 01	STATUS RE	REVISION B	2 OF 5	

4

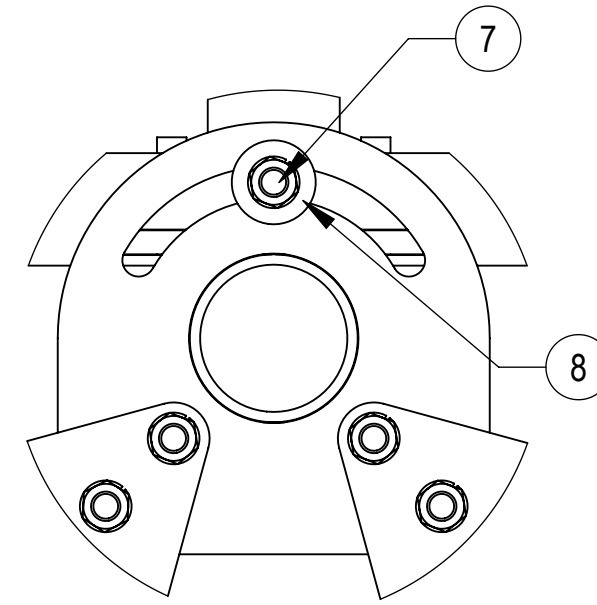
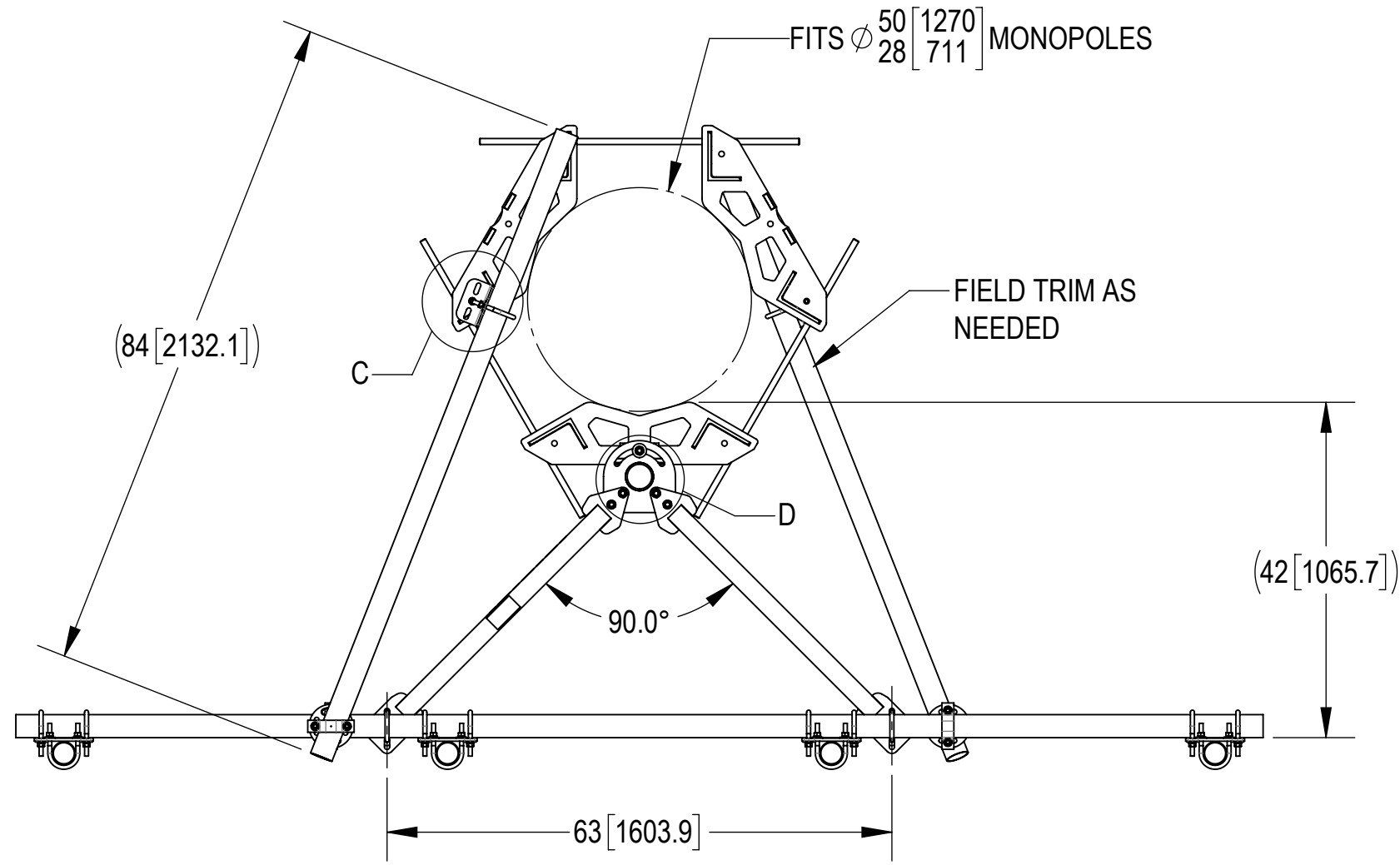
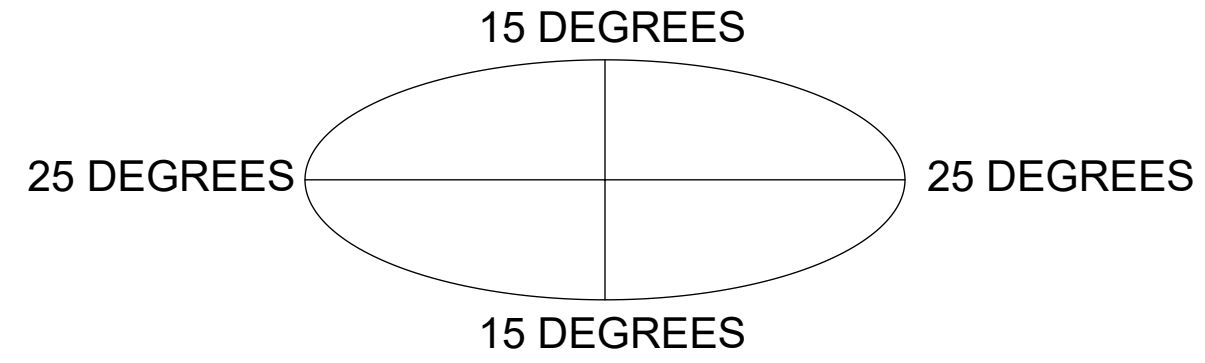
3

2

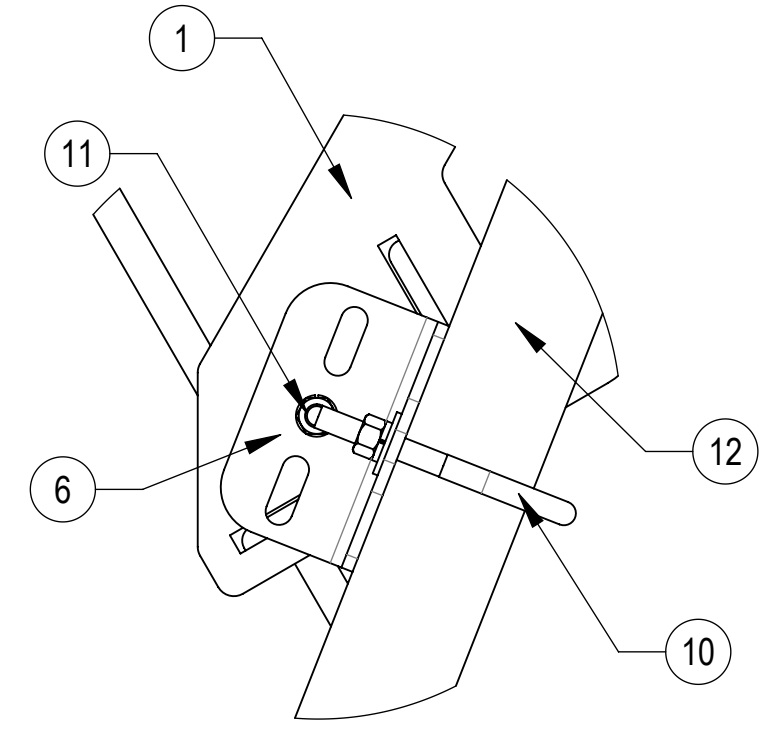
1

ALLOWABLE TIEBACK ANGLE

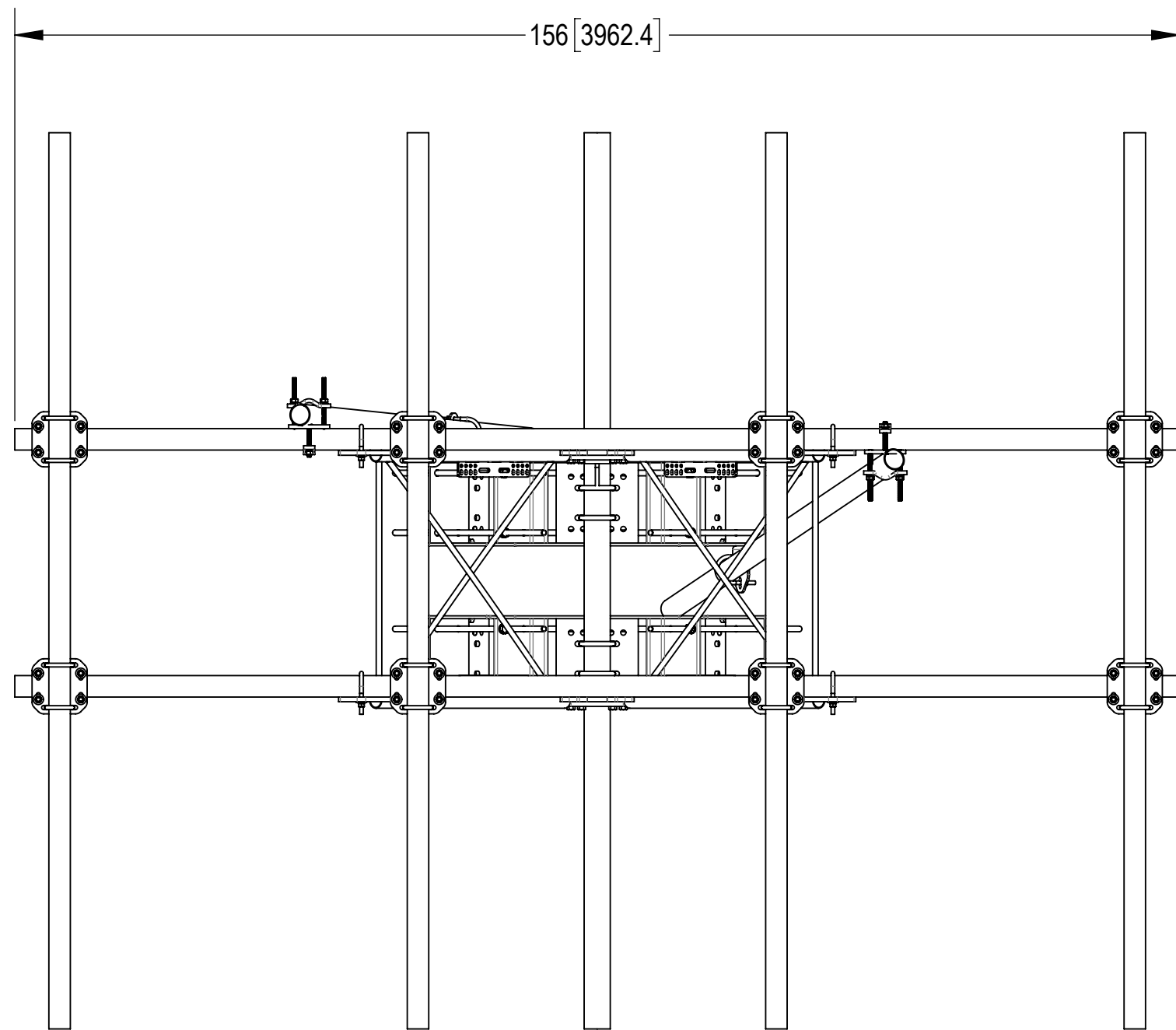
±15 DEGREES VERTICAL
±25 DEGREES HORIZONTAL



DETAIL D
SCALE 1:4

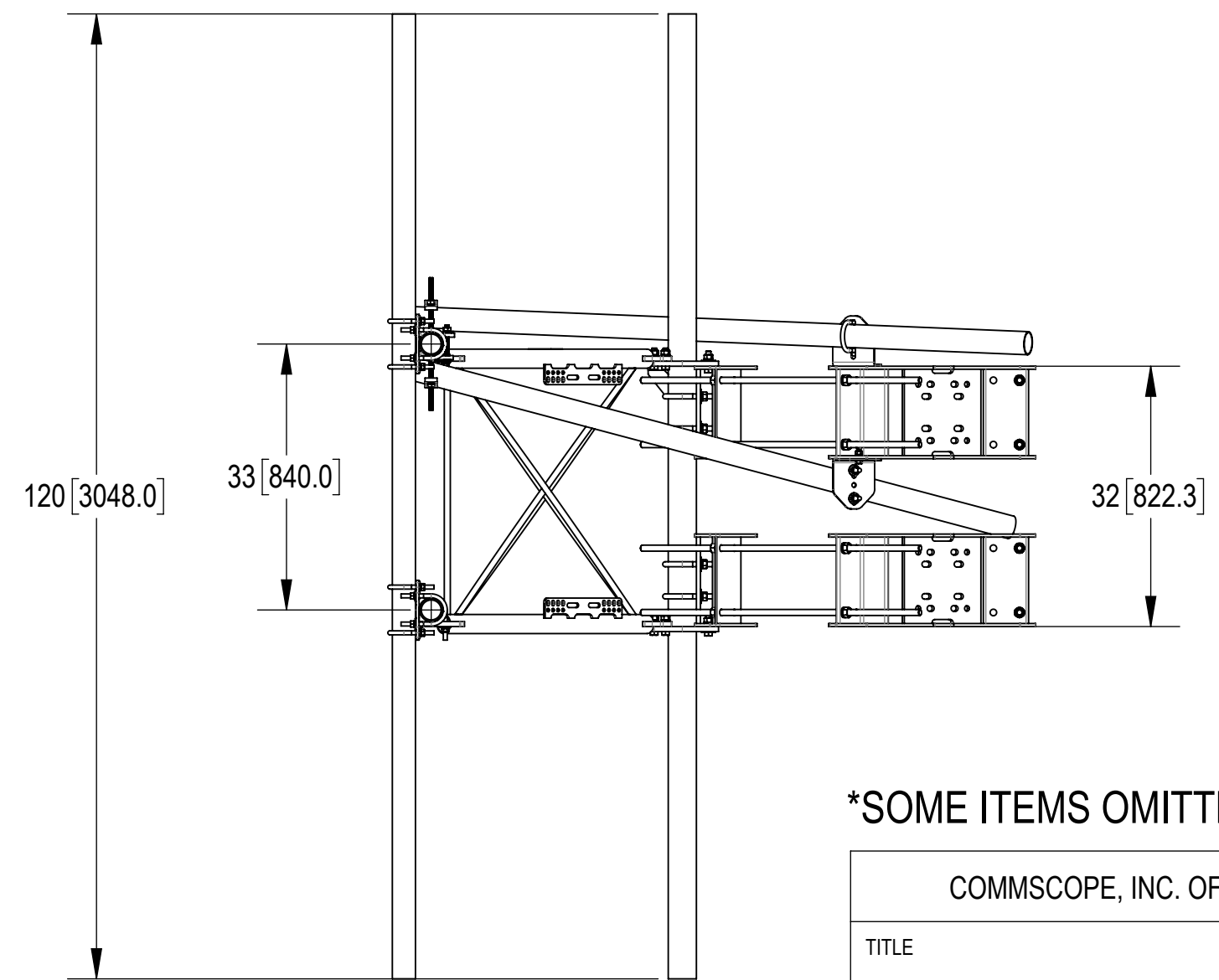


DETAIL C
SCALE 1:4



TOP

BOTTOM



SOME ITEMS OMITTED FOR CLARITY

COMMSCOPE, INC. OF NORTH CAROLINA				
TITLE PG,MP,SF,13'FP,(12)120"AP				
SIZE C	SCALE 1:20	DOCUMENT NO. MCG22RHDX-13M12120		
		DRAWING		SHEET
		VERSION	STATUS	REVISION
		01	RE	B
				SHEET 3 OF 5

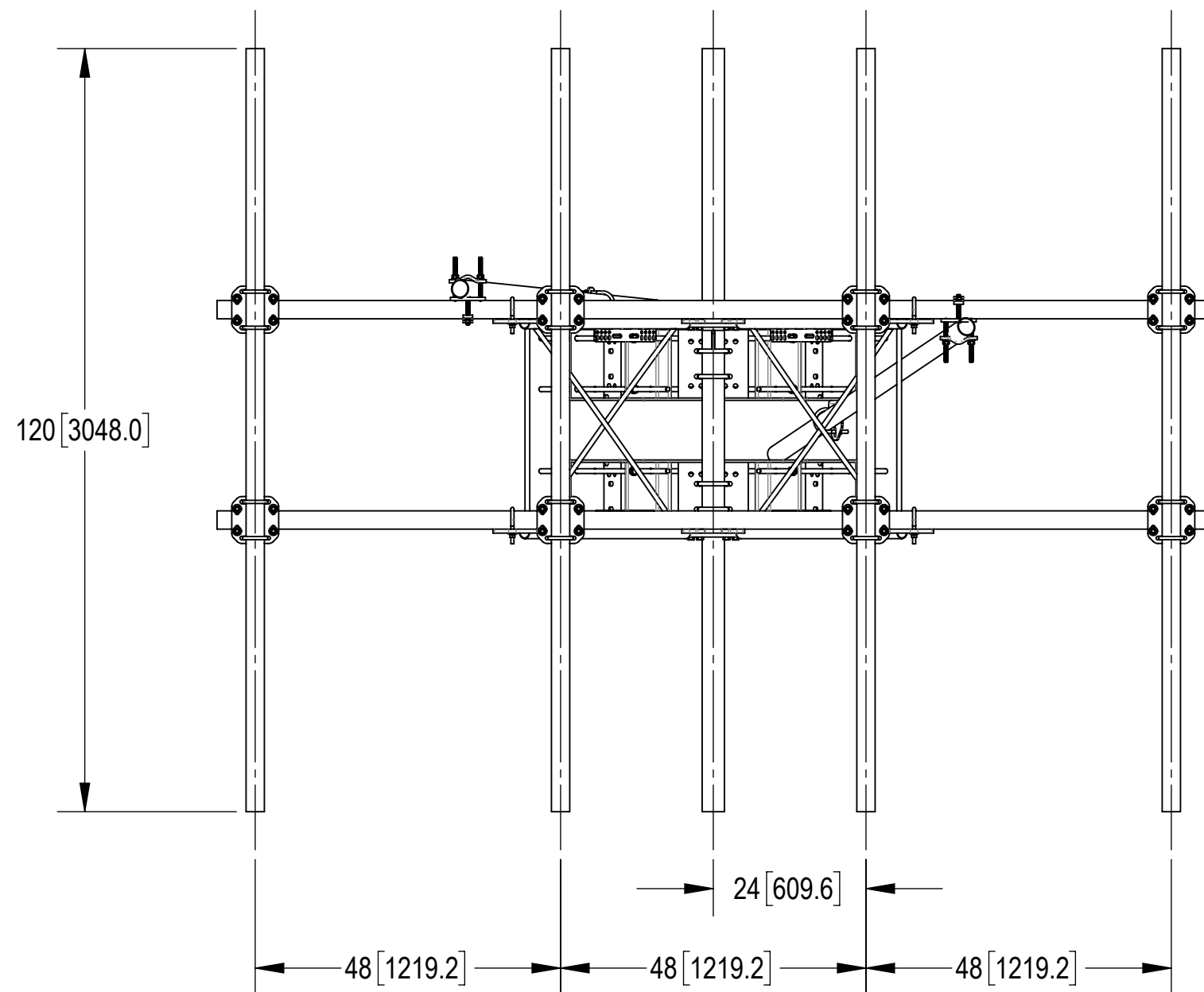
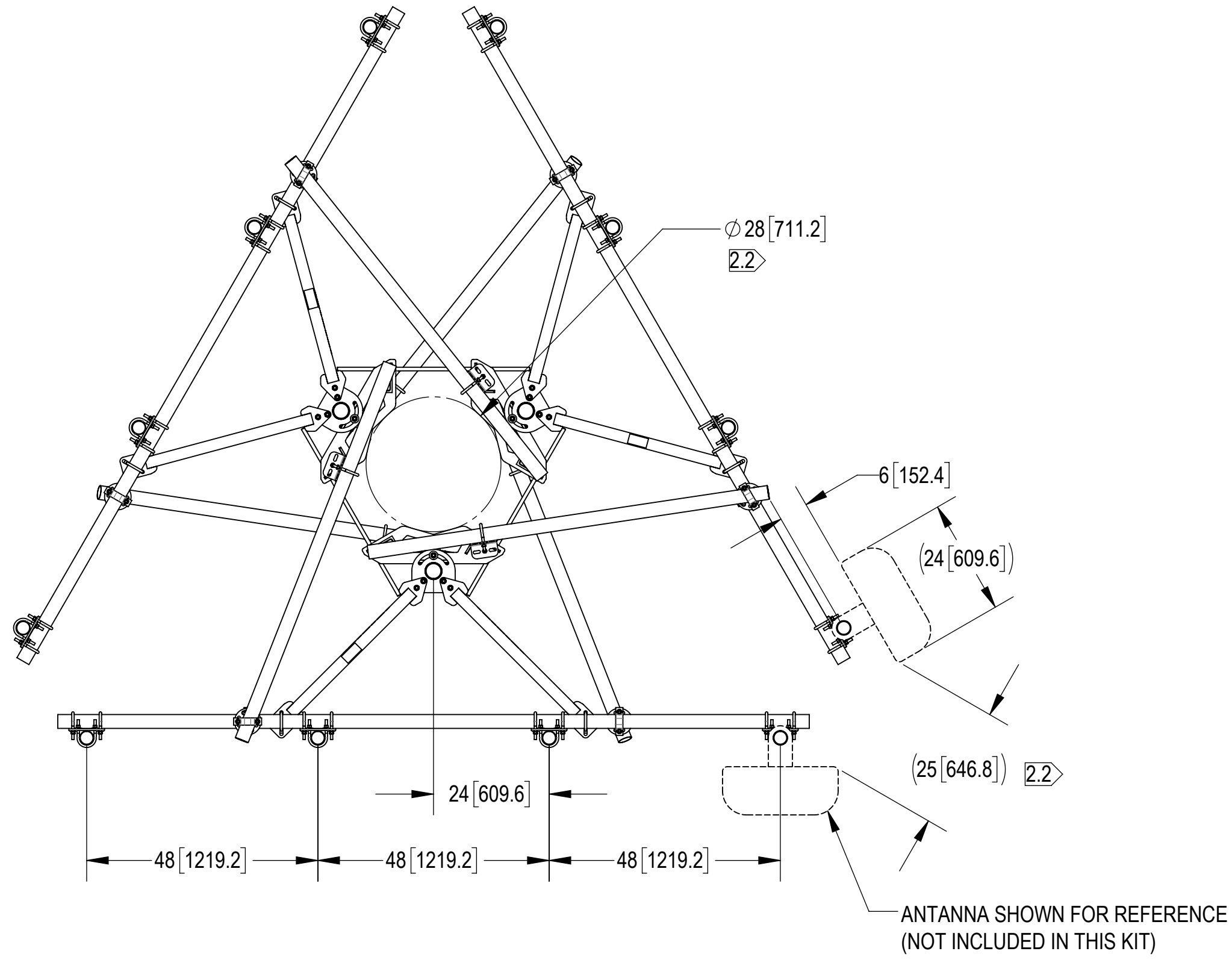
4

3

2

1

ANTENNA SPACING SHOWN



SOME ITEMS OMITTED FOR CLARITY

COMMSCOPE, INC. OF NORTH CAROLINA					
TITLE PG,MP,SF,13'FP,(12)120"AP					
SIZE C	SCALE 1:24	DOCUMENT NO. MCG22RHDX-13M12120			
		DRAWING			SHEET 4 OF 5
		VERSION 01	STATUS RE	REVISION B	

4

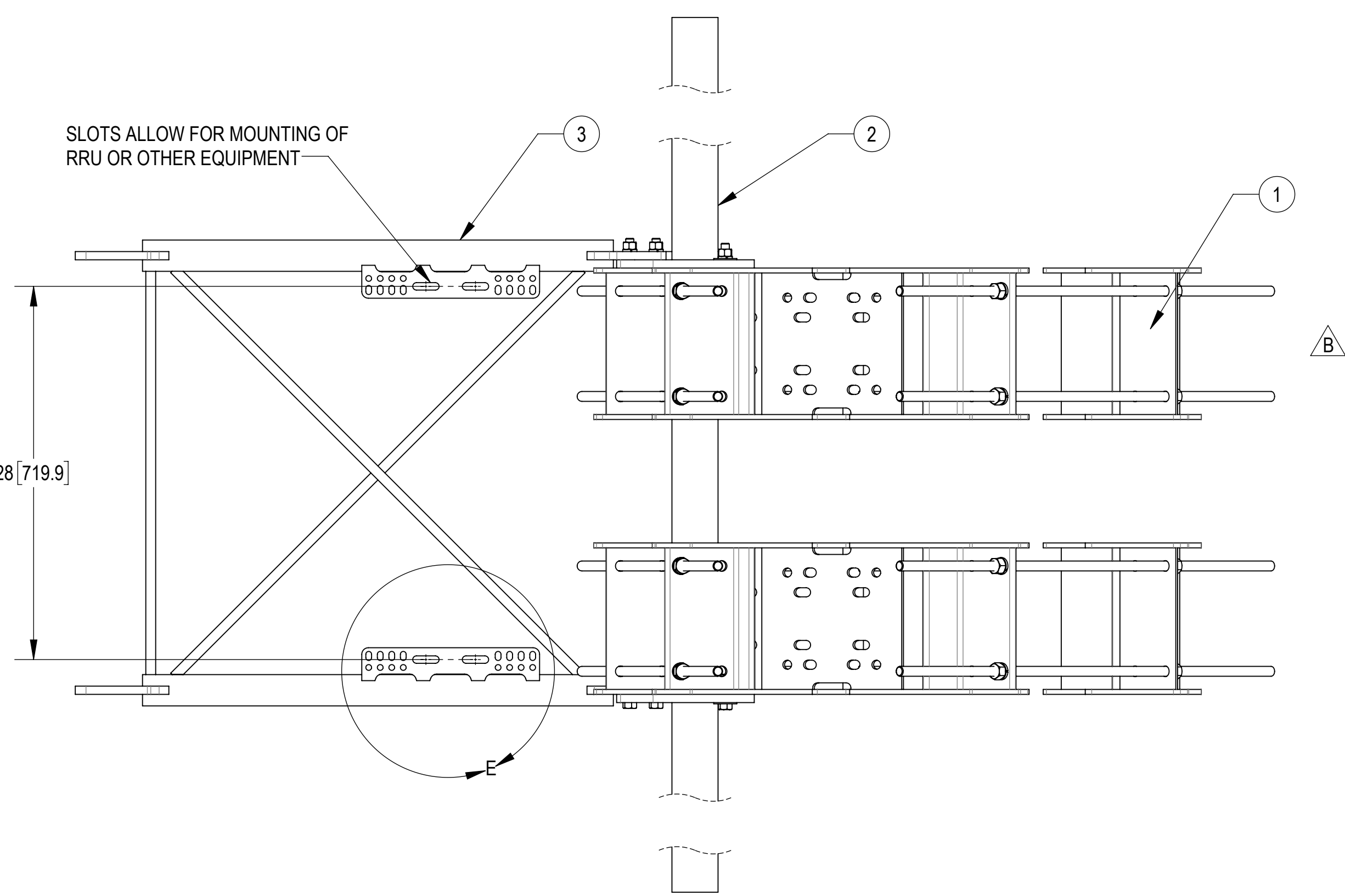
3

2

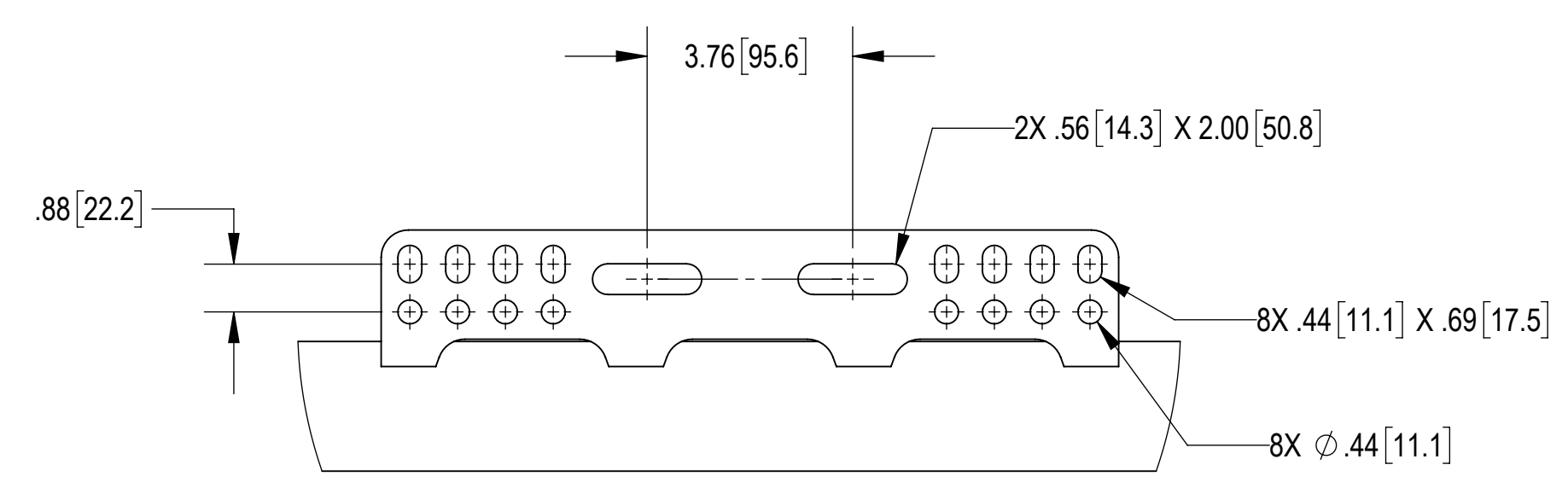
1

SLOTS ALLOW FOR MOUNTING OF RRU OR OTHER EQUIPMENT

28 [719.9]



SIDE VIEW



DETAIL E
SCALE 1 : 3
2 PLACES

SOME ITEMS OMITTED FOR CLARITY

COMMSCOPE, INC. OF NORTH CAROLINA				
TITLE PG,MP,SF,13'FP,(12)120"AP				
SIZE C	SCALE 1:8	DOCUMENT NO. MCG22RHDX-13M12120		
		DRAWING		SHEET
		VERSION	STATUS	REVISION
		01	RE	B
				5 OF 5

4

3

2

1

D

D

C

C

B

B

A

A