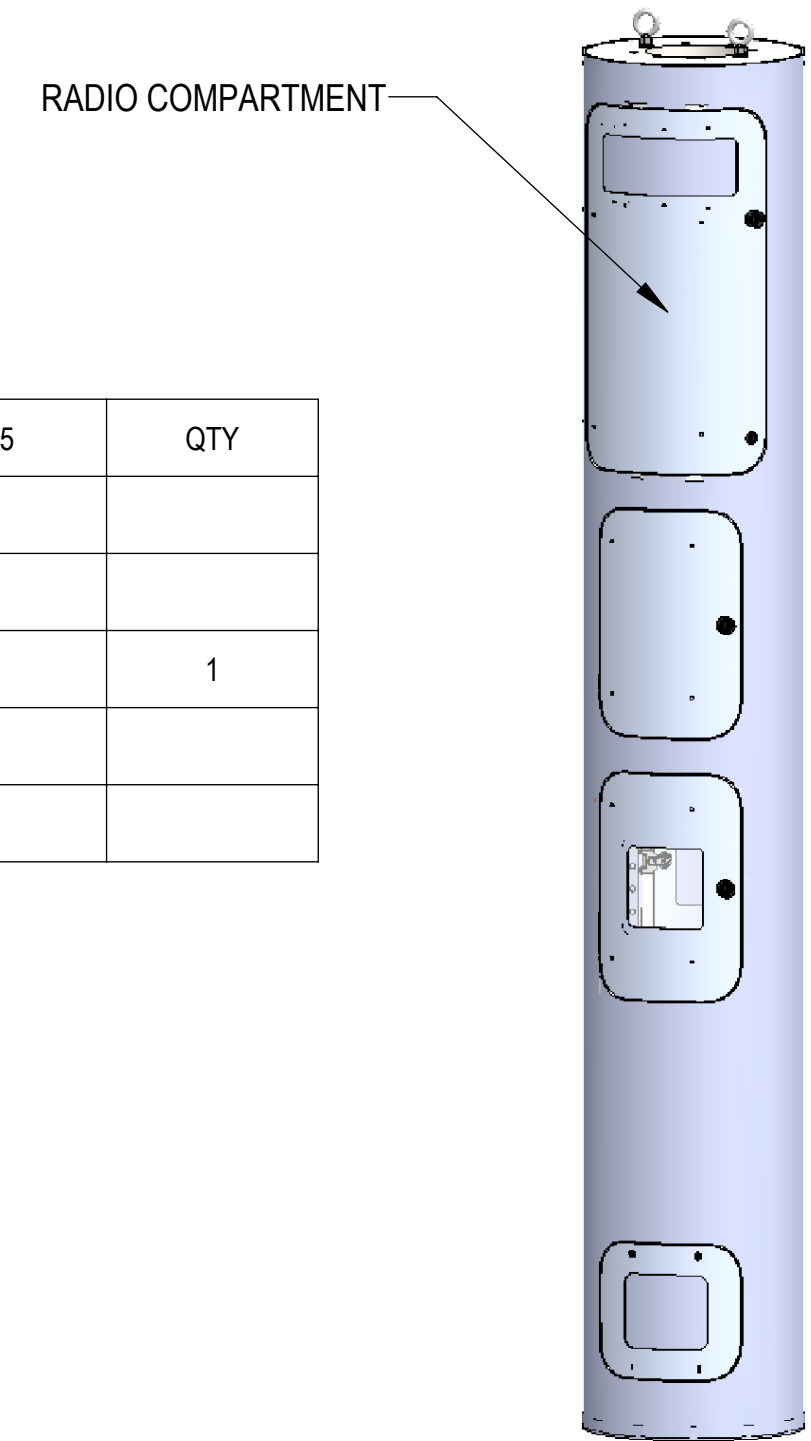


- 1.0 GENERAL NOTES
 - 1.1 THIS DOCUMENT PROVIDES INSTALLATION INSTRUCTIONS FOR NOKIA RADIOS IN TO THE PB20GA, MTM1160-1050-XX AND D-MODULE, MTM1160-8800-XX
- 2.0 DESIGN NOTES
 - 2.1 POWER SUPPLY/RECTIFIERS SUPPLIED SEPARATELY, SHOWN FOR REFERENCE ONLY
- 3.0 MANUFACTURING/SPECIAL REQUIREMENTS
 - 3.1 TORQUE HARDWARE ACCORDING TO SIZE:
 - > M4: TORQUE 19.50 IN-LB OR 2.2 N-M
 - > M6: TORQUE 40.0 IN-LB OR 4.5 N-M
 - > M8: TORQUE 6.6 FT-LB OR 9.0 N-M
 - > M10: TORQUE 16.2 FT-LB OR 22 N-M
 - > 1/4": TORQUE 4.8 ft-LB OR 6.6 N-M
 - 3.2 EXTRA HARDWARE MAY BE SUPPLIED
- 4.0 TEST
- 5.0 PACKAGING
 - 5.1 PACKAGING SHALL MEET COMMSCOPE REQUIREMENTS PER DOCUMENT IS-PL-3005
 - 5.2 BAG AND INDIVIDUALLY TAG ALL HARDWARE AND PLACE IN SHIPPING BOX WITH BRACKETS FOR CUSTOMER INSTALLATION.
 - 5.3 THIS PRINTED DOCUMENT TO BE PLACED INSIDE SHIPPING BOX FOR CUSTOMER INSTALLATION

REVISIONS			
REV.	DESCRIPTION	DATE	APPROVED
A	INITIAL RELEASE	NSUN 14SEP23	RW1043 40178739CMO



NOKIA EQUIPMENT INSTALLATION CONFIGURATION LIST

CONFIGURATION	SHEET NO.	EQUIP.1	QTY	EQUIP.2	QTY	EQUIP.3	QTY	EQUIP.4	QTY	EQUIP.5	QTY
N2	3	AHFIB	1	SDX1926Q-43	1						
N3	4	AWHHF	1	SDX1926Q-43	1	AHFB	1	AZQC 3.5GHZ	1		
N4	5	AHIB	1	SDX1926Q-43	1	AHFB	1	AZQC 3.5GHZ	1	AZRB	1
N5	6	AHFIB	1	SDX1926Q-43	1	AWHHF	1				
N6 (TBD)	(TBD)	AZHL, (FUTURE)	1	SDX1926Q-43	1						

ESTABLISH NOKIA CONFIGURATION FROM ABOVE TABLE TO INSTALL DESIRED NOKIA RADIOS IN THE PB20GA. SEE SHEET 2 FOR DETAILED SECURING OF RADIOS & DIPLEXERS TO BRACKETS. SEE SPECIFIC SHEET NUMBER FOR FURTHER INSTALLATION DETAILS.

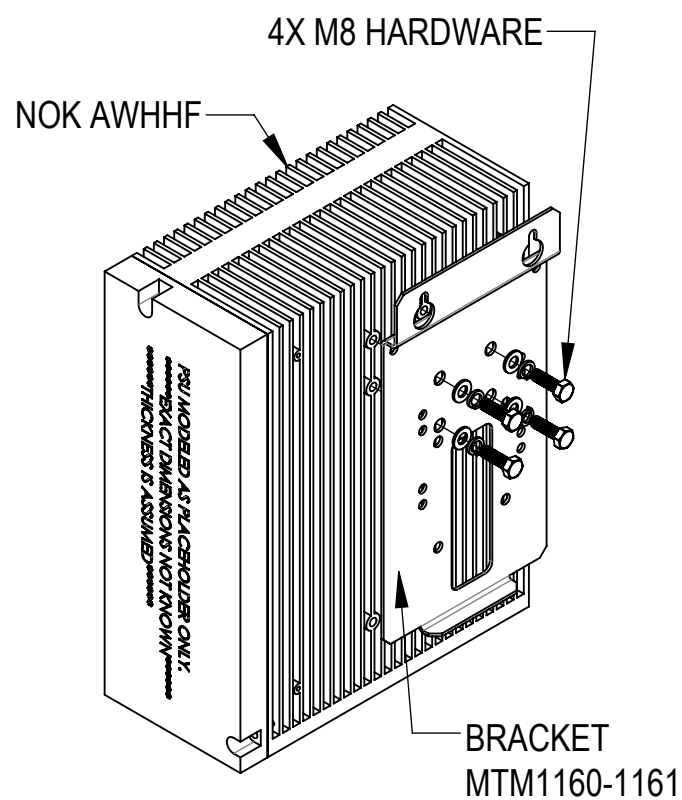
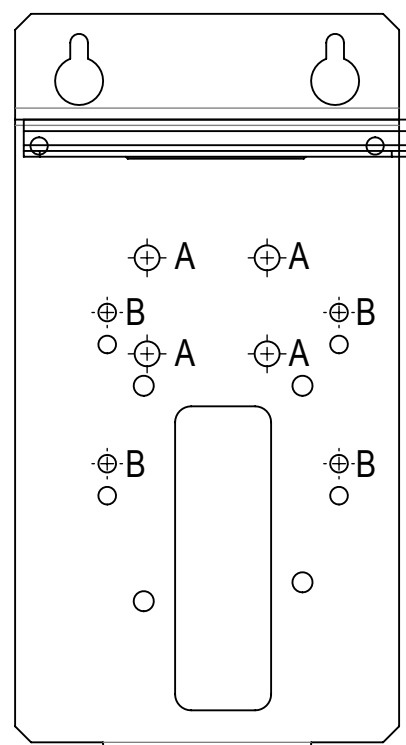
COMPONENT PART NUMBERS PROVIDED FOR ASSEMBLY PURPOSES; INDIVIDUAL COMPONENTS MAY BE SHIPPED AS PARTS WITHIN AN INCLUDED KIT.

ITEM NO.	PART NUMBER	DESCRIPTION	QTY.	NOTE
1	MTM1160-1120	KIT MULTI-FIT BIG NOK INSTALL PB20GA	1	
2	MTM1160-1131-CR	BRACKET PB20GA RAD 1-2-4 MULTI MOUNT	1	
3	MTM1160-1133-CR	BRACKET, FLT-4-AIRSCALES PB20GA	4	
4	MTM1160-1152-CR	BRKT NOK-HEAVY U-HANG SHRT PB20GA -CR	2	
5	MTM1160-1161-CR	BRACKET AWHHF HANGER RIGHT PB20GA	2	
6	MTM1160-1167-CR	BRKT DIPLEX MNTG TOP/ANGLE PB20GA -CR	1	
7	MTM1160-1168-CR	BRKT MAIN PLATE RADIOS REAR PB20GA	1	
8	460143456	CLIP NUT, M6, 316 SST	16	
9	100117-4	FA,SEMS,PH,XRES,M6X25,SST,PASS	22	
10	100534-356	SCR,HCS,HEX,M5X12,SST,PASS	16	
11	100522-19	WSHR,LK,SPLT, M5,SST, PASS	16	
12	100521-19	WSHR,FLAT,M5.5.3X10X1,SST,PASS	16	
13	MTC9415	M8 X 25mm HEX BOLT SS	8	
14	MTC9418	M8 LOCK WASHER SS	8	
15	MTC9419	M8 FLAT WASHER SS	8	
9000	MTM1193-1101-AMK-N	REFERENCE DOCUMENT	1	5.3

DENSITY	lbs/in ³
MASS	lbs
VOLUME	in ³
SURFACE AREA	in ²
HEIGHT	N/A
LENGTH	N/A
WIDTH	N/A

COMMSCOPE, INC. OF NORTH CAROLINA												
TOLERANCES						SAP MATERIAL MASTER						
1 PLACE .X[X] ± N/A			3 PLACE .XXX[X] ± N/A			MTM1193-1101-AMK-N						
2 PLACE .XX[X] ± N/A			ANGLES ± N/A°									
FINISH						MATERIAL						
UNLESS OTHERWISE SPECIFIED DIMENSIONS ARE IN INCHES INTERPRET PER ANSI Y 14.5M-1994	CE	NSUN	DATE	TITLE								
	RW	NSUN	09/19/2023	KIT NOKIAS INSTALL INTO PB20GA-0.375								
	AD	RW1043	09/19/2023									
	RE	RW1043	09/20/2023	SCALE	DOCUMENT NO.							
	ECN 40178739CMO			1:10		MTM1193-1101-AMK-N						
SIZE	Auth Group	INSL	MODEL			DRAWING			SHEET			
C	⊕	◁	VERSION	STATUS	REVISION	VERSION	STATUS	REVISION	00	RE	A	
			00	RE	A	00	RE	A	1 OF 6			

EQUIPMENT MOUNTING INSTALLATION

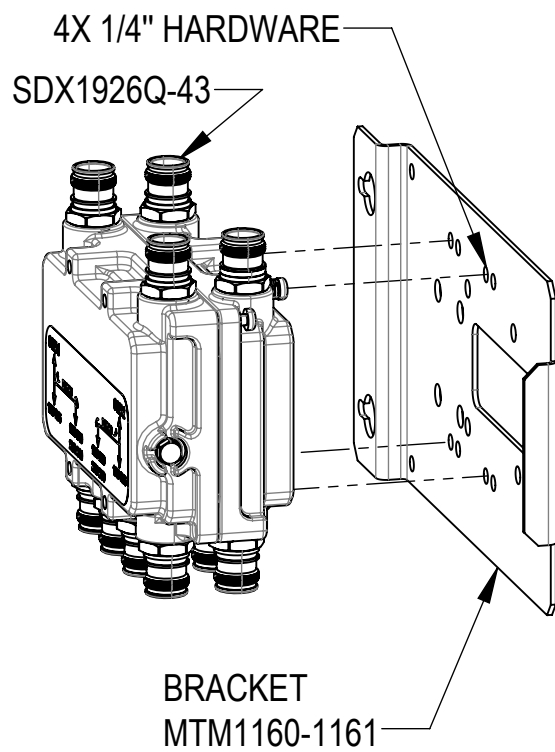


RADIO INSTALLATION MTM1160-1161

"A": NOK AWHHF
"B": SDX1926Q-43

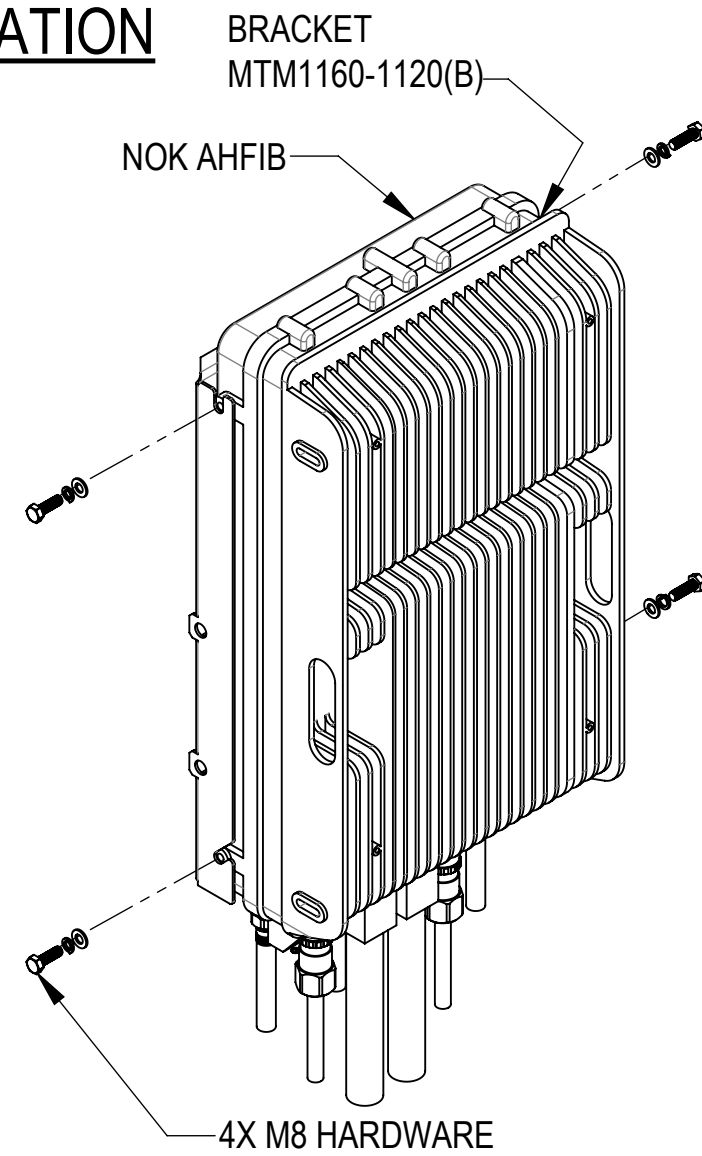
NOK AWHHF:

INSTALL THE NOK AWHHF TO THE MOUNTING BRACKET MTM1160-1161 USING 4 SETS OF M8 BOLTS AS SHOWN



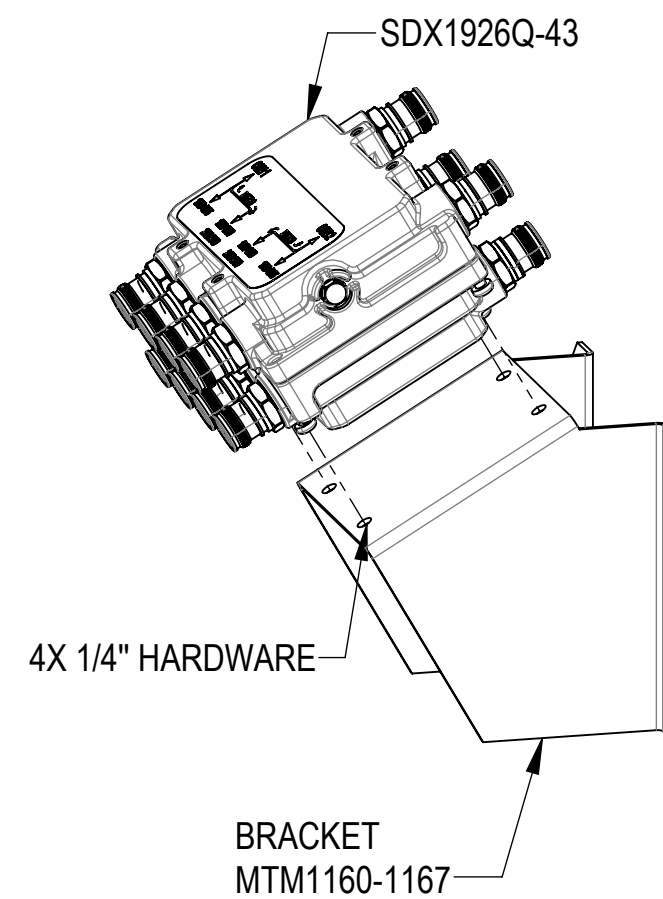
SDX1926Q-43:(MTM1160-1161)

INSTALL THE SDX1926Q-43 TO THE MOUNTING BRACKET MTM1160-1161 USING 4 SETS OF 1/4" BOLTS AS SHOWN



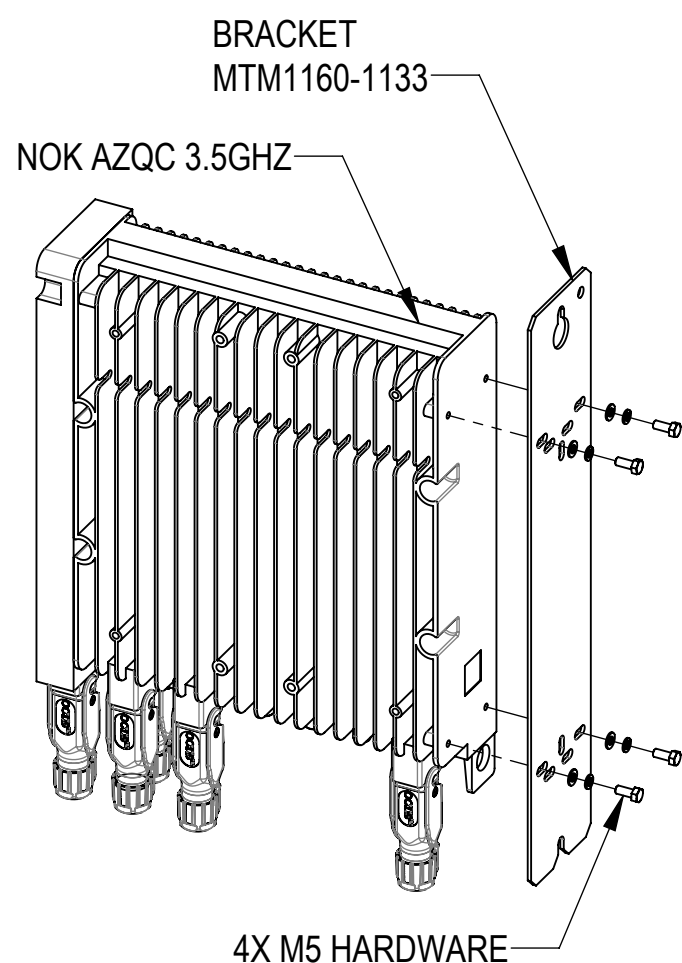
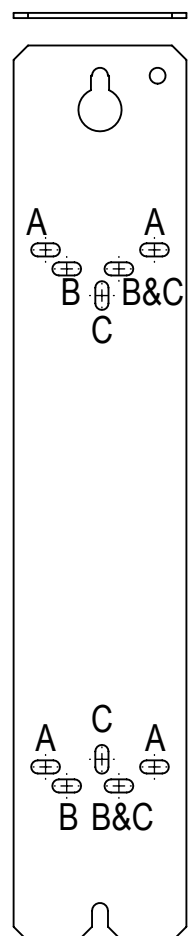
NOK AHFIB:

INSTALL THE NOK AHFIB TO THE MOUNTING BRACKET MTM1160-1120(B) USING 4 SETS OF M8 BOLTS AS SHOWN



SDX1926Q-43:(MTM1160-1167)

INSTALL THE SDX1926Q-43 TO THE MOUNTING BRACKET MTM1160-1167 USING 4 SETS OF 1/4" BOLTS AS SHOWN

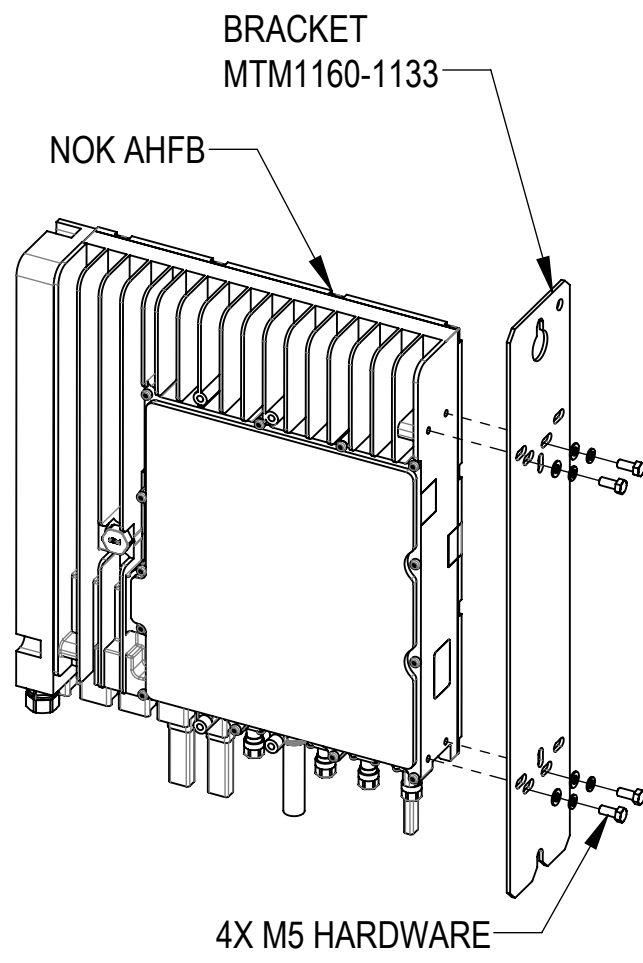


RADIO INSTALLATION MTM1160-1133

"A": NOK AZQC 3.5GHZ
"B": NOK AHFB + NOK AHIB
"C": NOK AZRB

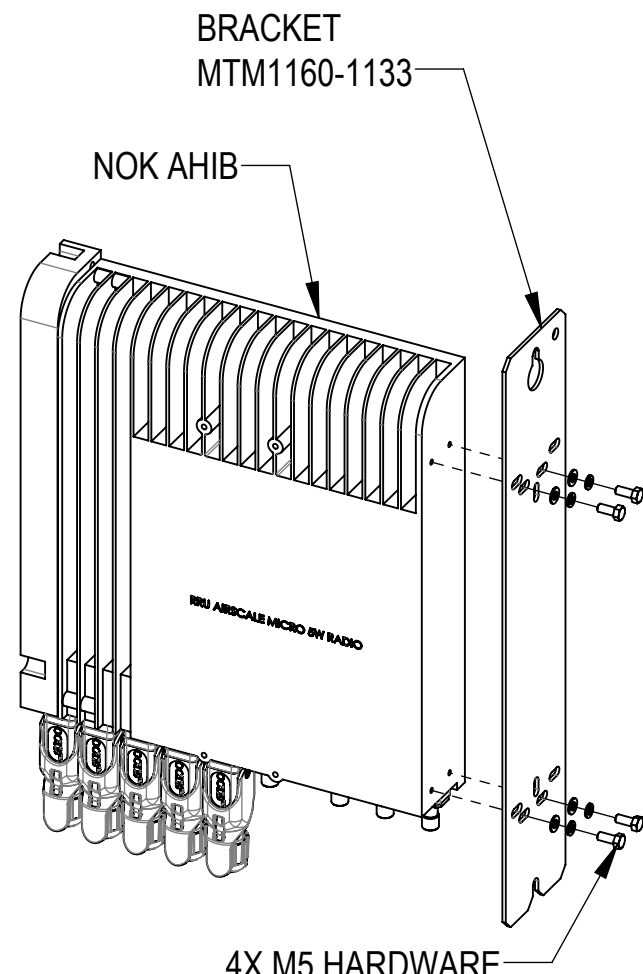
NOK AZQC 3.5GHZ:

INSTALL THE AZQC 3.5GHZ TO THE MOUNTING BRACKET MTM1160-1133 USING 4 SETS OF M5 BOLTS AS SHOWN



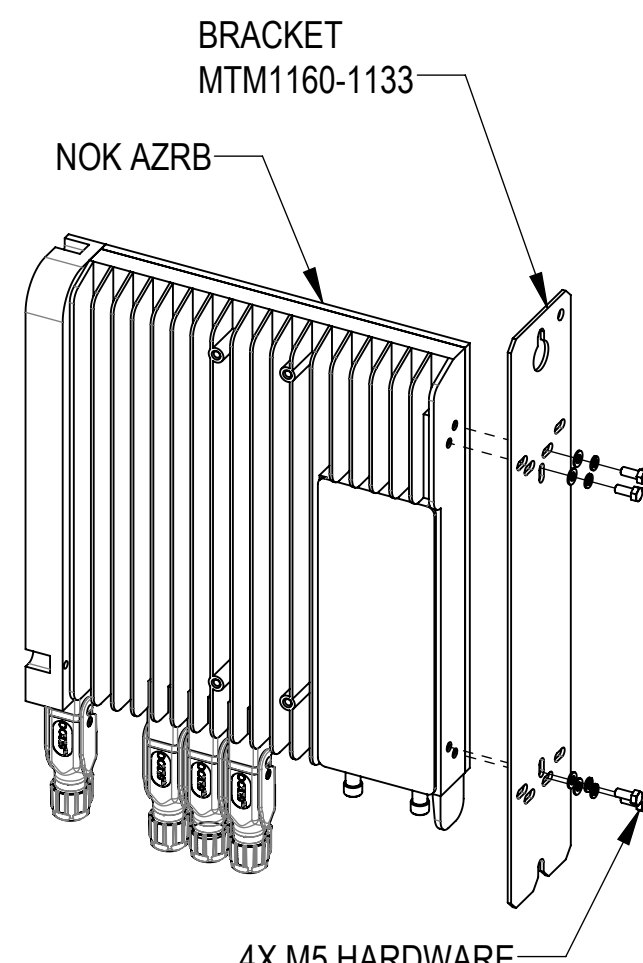
NOK AHFB:

INSTALL THE AHFB TO THE MOUNTING BRACKET MTM1160-1133 USING 4 SETS OF M5 BOLTS AS SHOWN



NOK AHIB:

INSTALL THE AHIB TO THE MOUNTING BRACKET MTM1160-1133 USING 4 SETS OF M5 BOLTS AS SHOWN



NOK AZRB:

INSTALL THE AZRB TO THE MOUNTING BRACKET MTM1160-1133 USING 4 SETS OF M5 BOLTS AS SHOWN

TORQUE ALL TO SPEC

© 2023 CommScope, Inc. Confidential

COMMSCOPE, INC. OF NORTH CAROLINA				
TITLE KIT NOKIAS INSTALL INTO PB20GA-0.375				
SIZE C	SCALE 1:10	DOCUMENT NO. MTM1193-1101-AMK-N		
		DRAWING		SHEET
		VERSION	STATUS	REVISION
		00	RE	A
				SHEET 2 OF 6

D

C

B

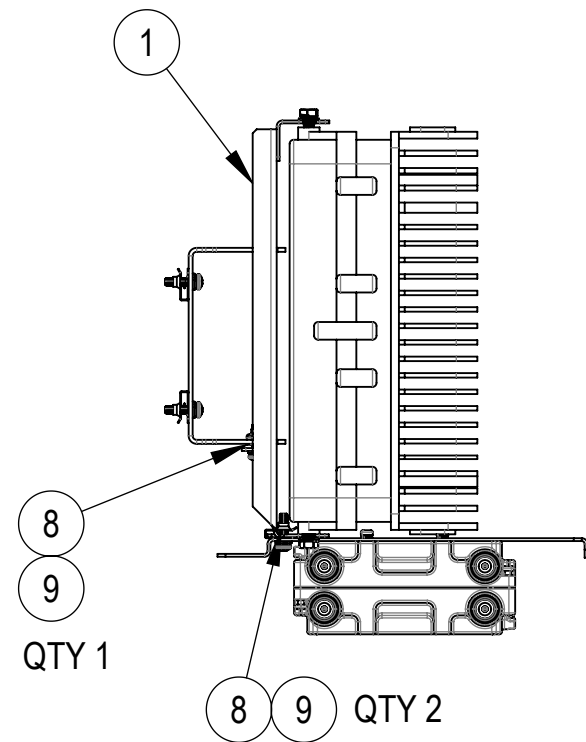
A

D

C

B

A

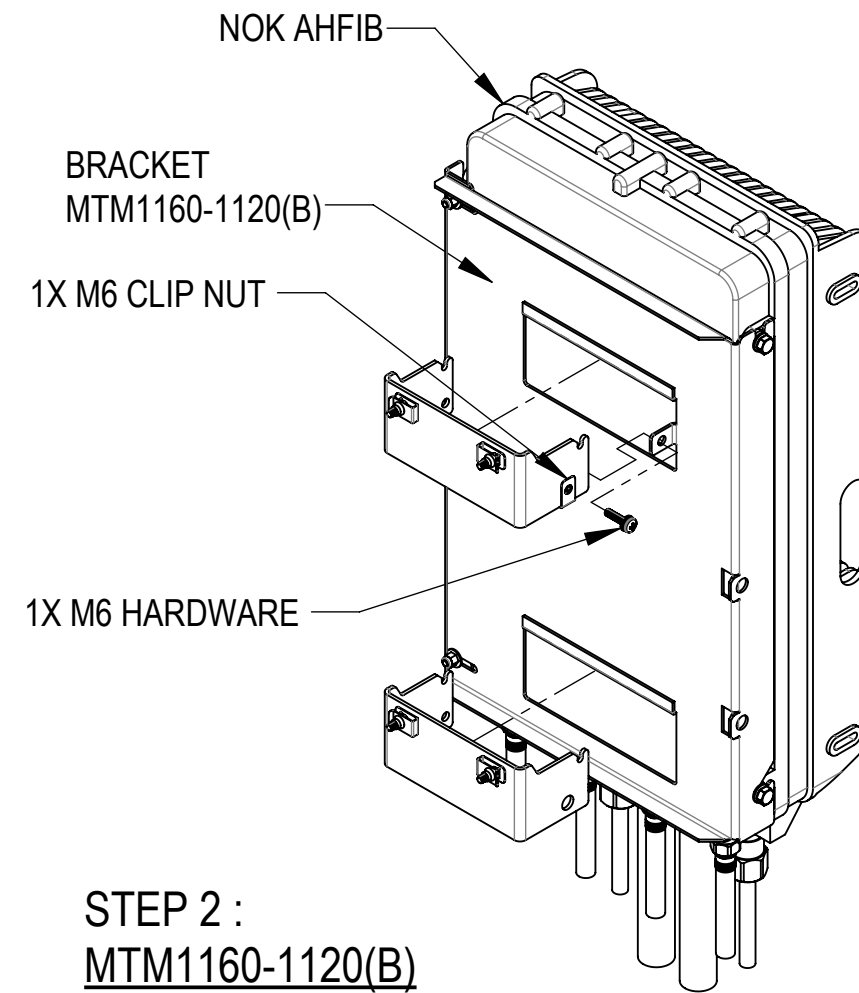


2X BRACKET
MTM1160-1152

4X M6
HARDWARE

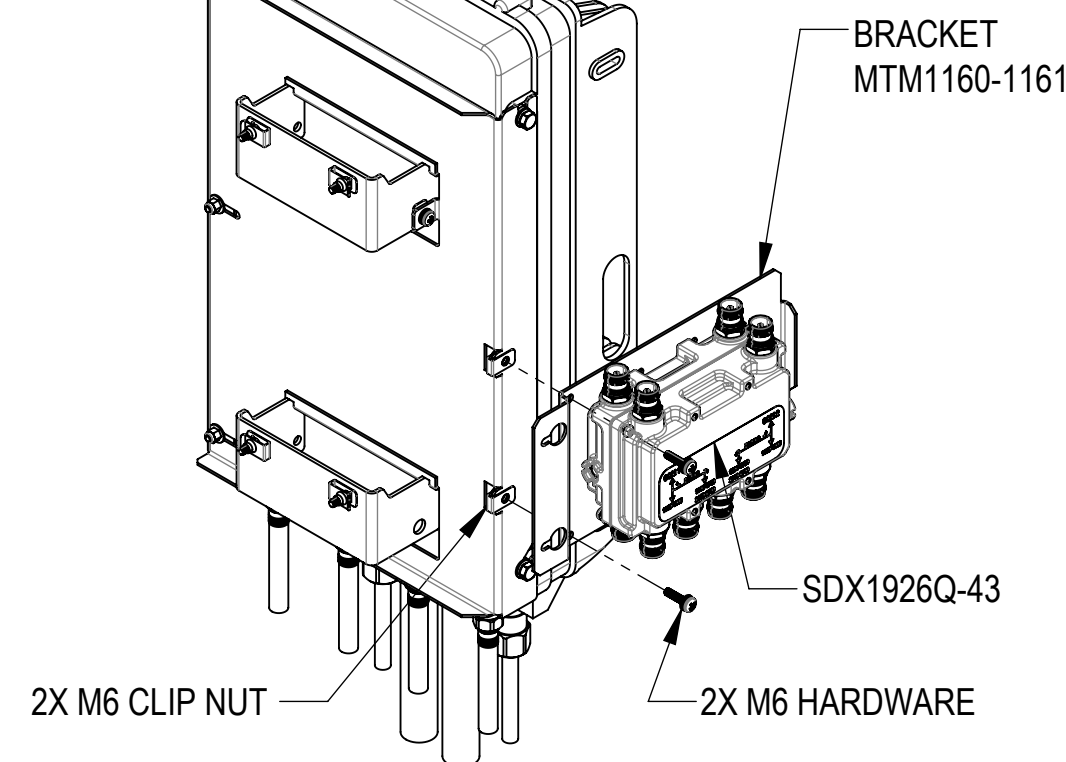
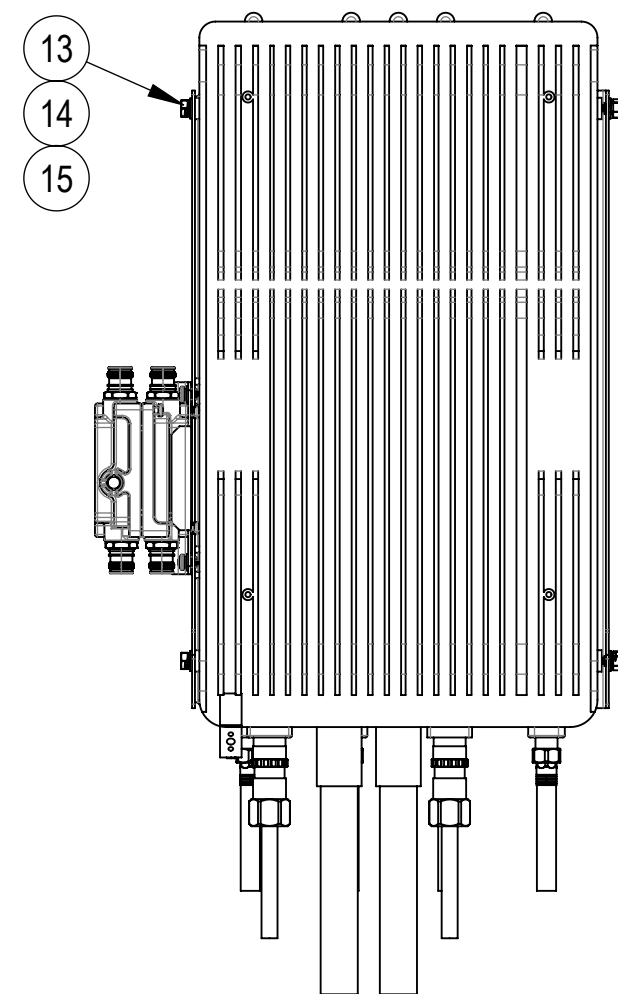
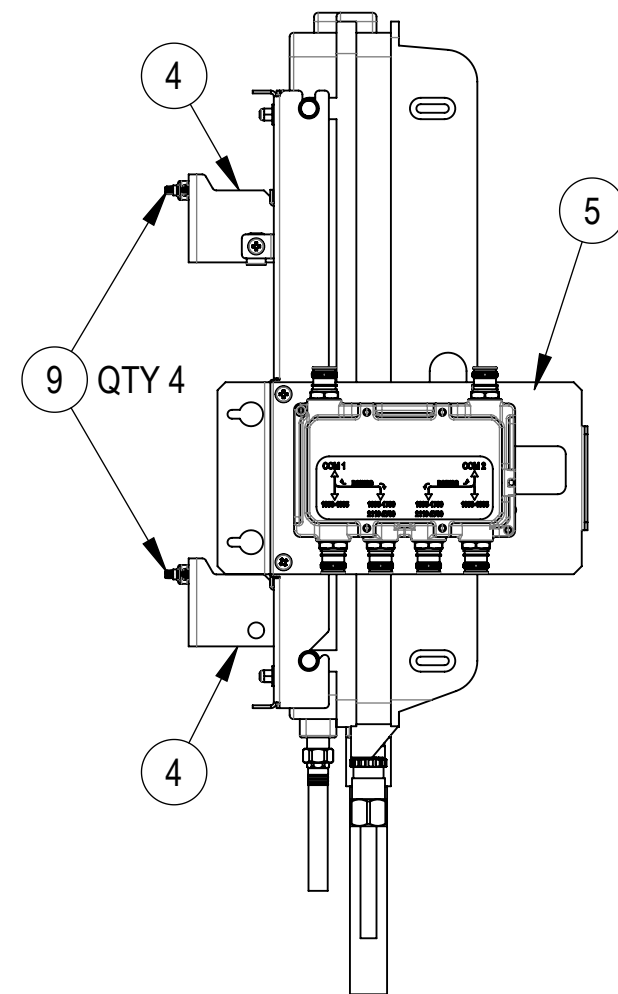
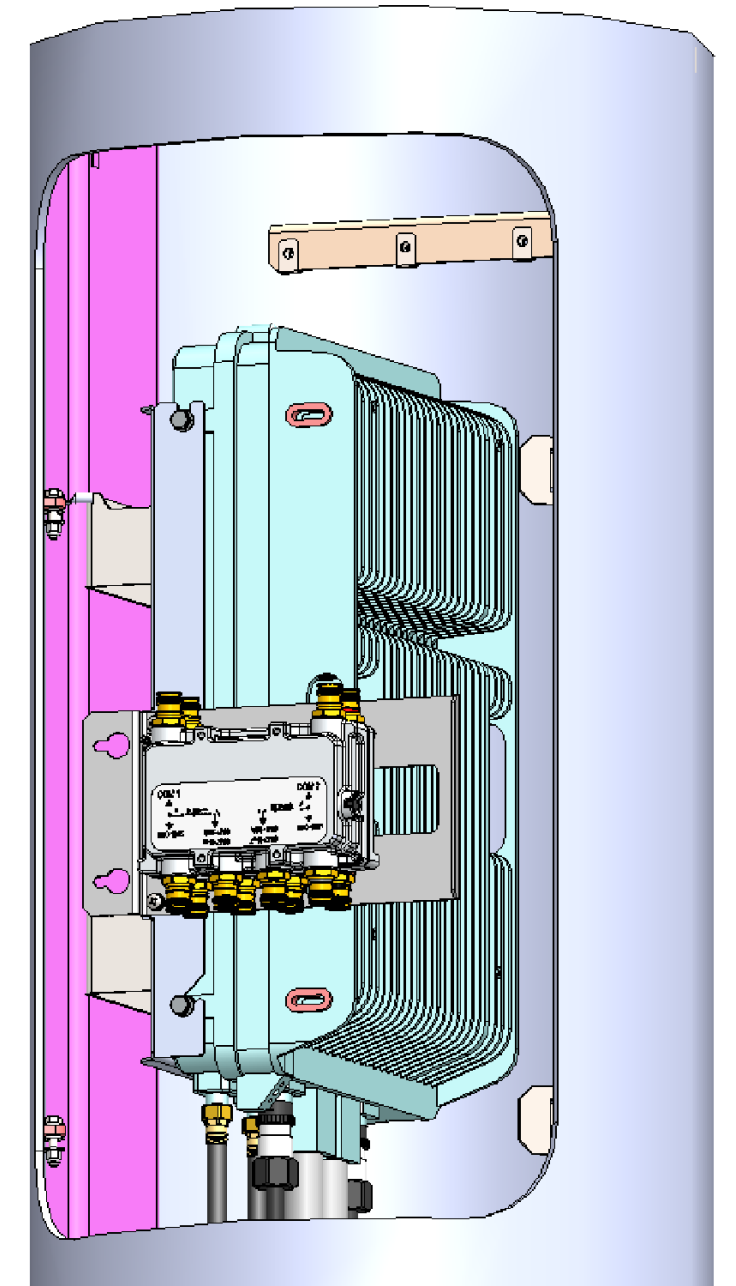
STEP 1 :
MTM1160-1152

1. INSTALL THE 2 MOUNTING BRACKET MTM1160-1152 TO BRACKET OF ASSEMBLY USING 4 SETS OF M6 BOLTS



STEP 2 :
MTM1160-1120(B)

1. INSTALL M6 CLIP NUTS AS SHOWN
2. HANG THE MOUNTING BRACKET MTM1160-1120(B) TO 2 MOUNTING BRACKET MTM1160-1152, THEN LOCK THEM USING 1 SET OF M6 BOLTS



STEP 3 :
MTM1160-1161

1. INSTALL M6 CLIP NUTS AS SHOWN
2. INSTALL THE MOUNTING BRACKET MTM1160-1161 TO THE MOUNTING BRACKET MTM1160-1120 USING 2 SETS OF M6 BOLTS

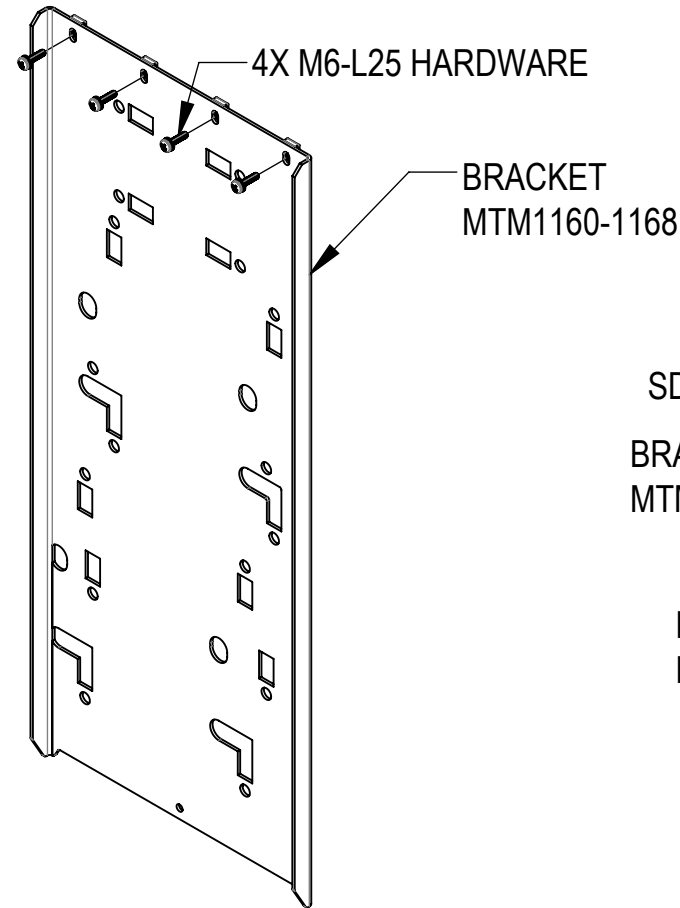
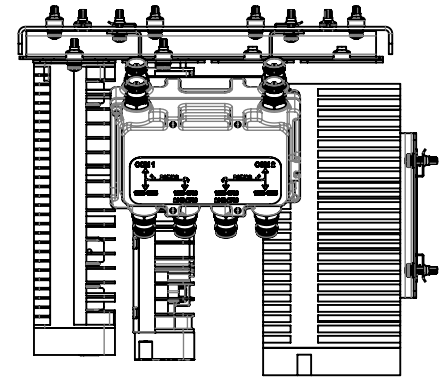
BOM FOR NOK AHFIB + SDX1926Q-43 INSTALLATION

ITEM NO.	PART NUMBER	DESCRIPTION	QTY.
1	MTM1160-1120	KIT MULTI-FIT BIG NOK INSTALL PB20GA	1
4	MTM1160-1152-CR	BRACKET NOK-HEAVY U-HANG SHORT PB20GA	2
5	MTM1160-1161-CR	BRACKET AWHHF HANGER RIGHT PB20GA	1
8	460143456	CLIP NUT, M6, 316 SST	3
9	100117-4	FA,SEMS,PH,XRES,M6X25,SST,PASS	7
13	MTC9415	M8 X 25mm HEX BOLT SS	4
14	MTC9418	M8 LOCK WASHER SS	4
15	MTC9419	M8 FLAT WASHER SS	4

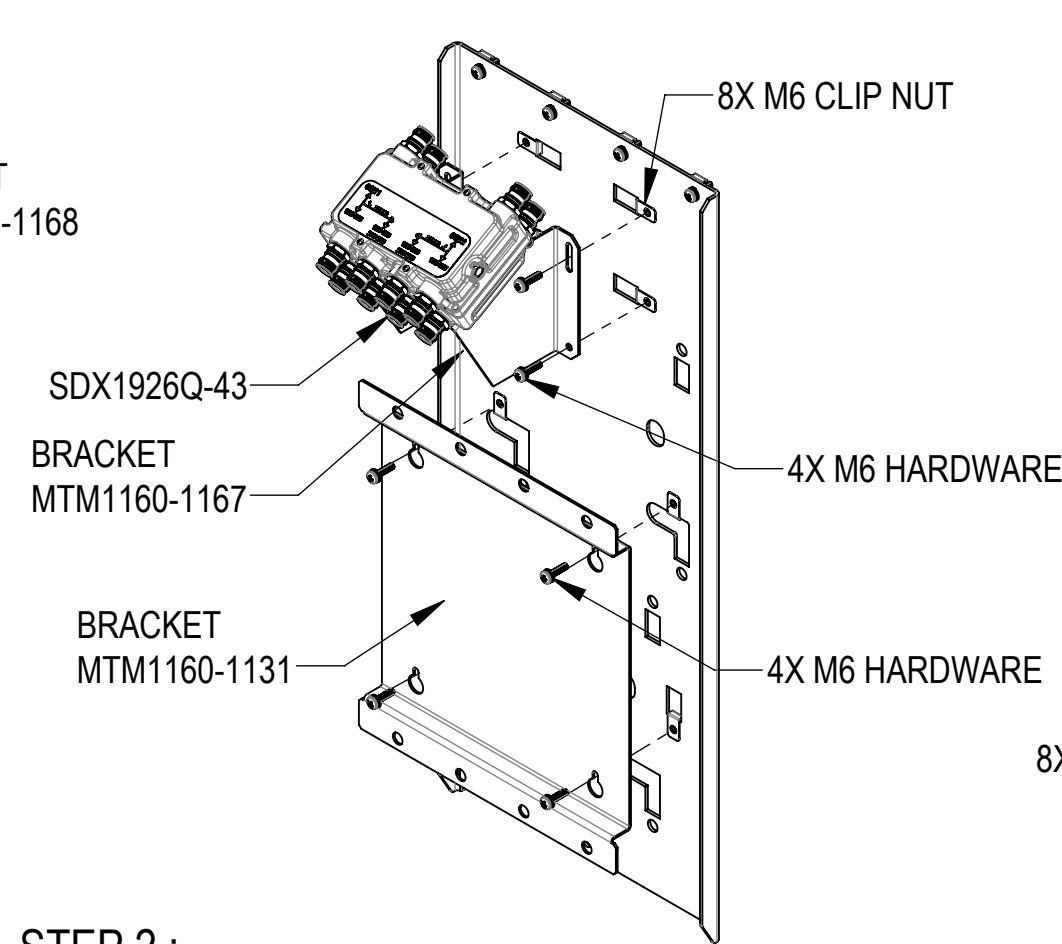
N2: NOK AHFIB + SDX1926Q-43 INSTALLATION

EQUIPMENT INSTALLATION SEE SHEET 2
TORQUE ALL TO SPEC

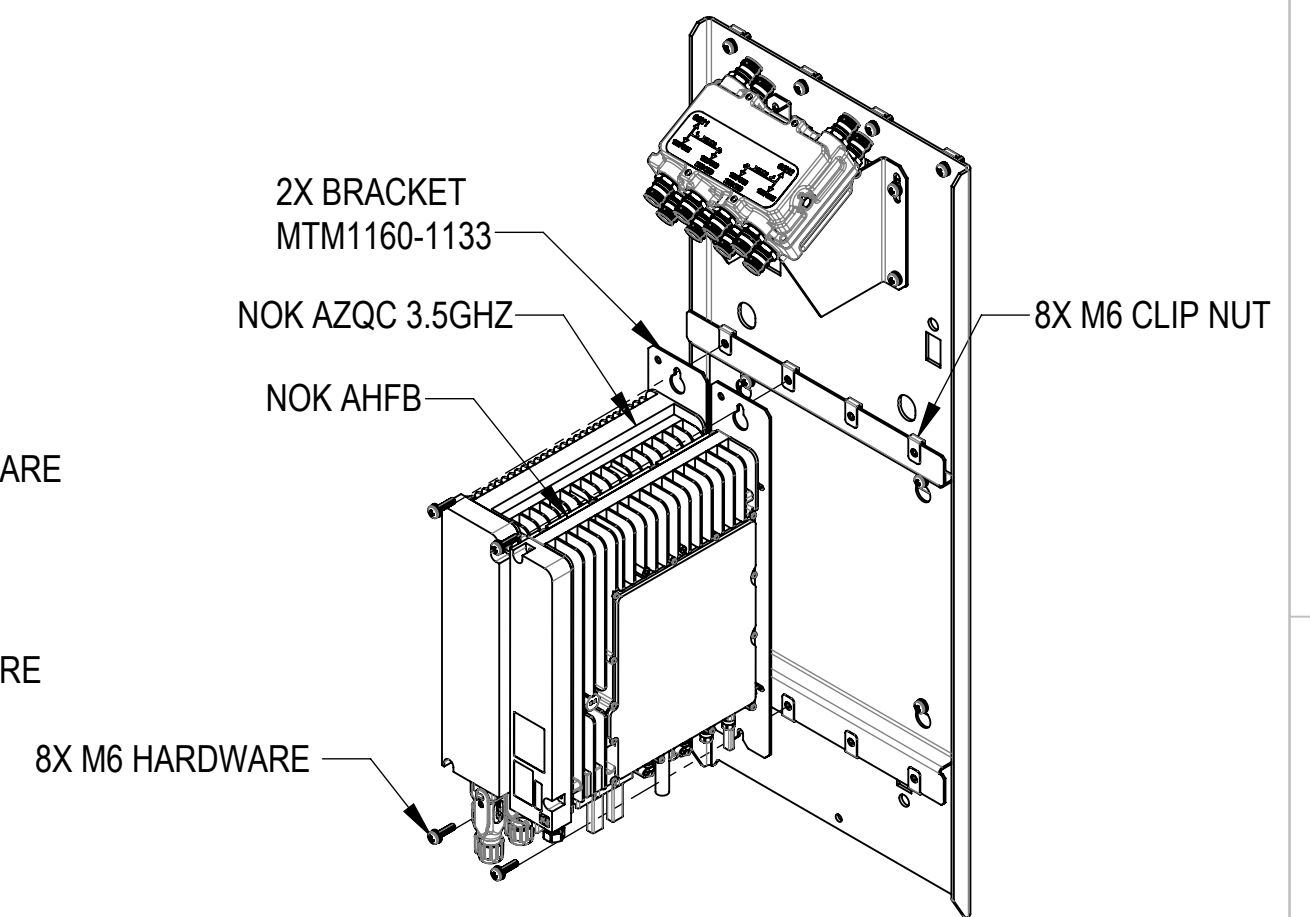
COMMScope, INC. OF NORTH CAROLINA			
TITLE KIT NOKIAS INSTALL INTO PB20GA-0.375			
SIZE C	SCALE 1:10	DOCUMENT NO. MTM1193-1101-AMK-N	
DRAWING		VERSION	STATUS
		00	RE
		REVISION	REVISION
			A
SHEET			3 OF 6



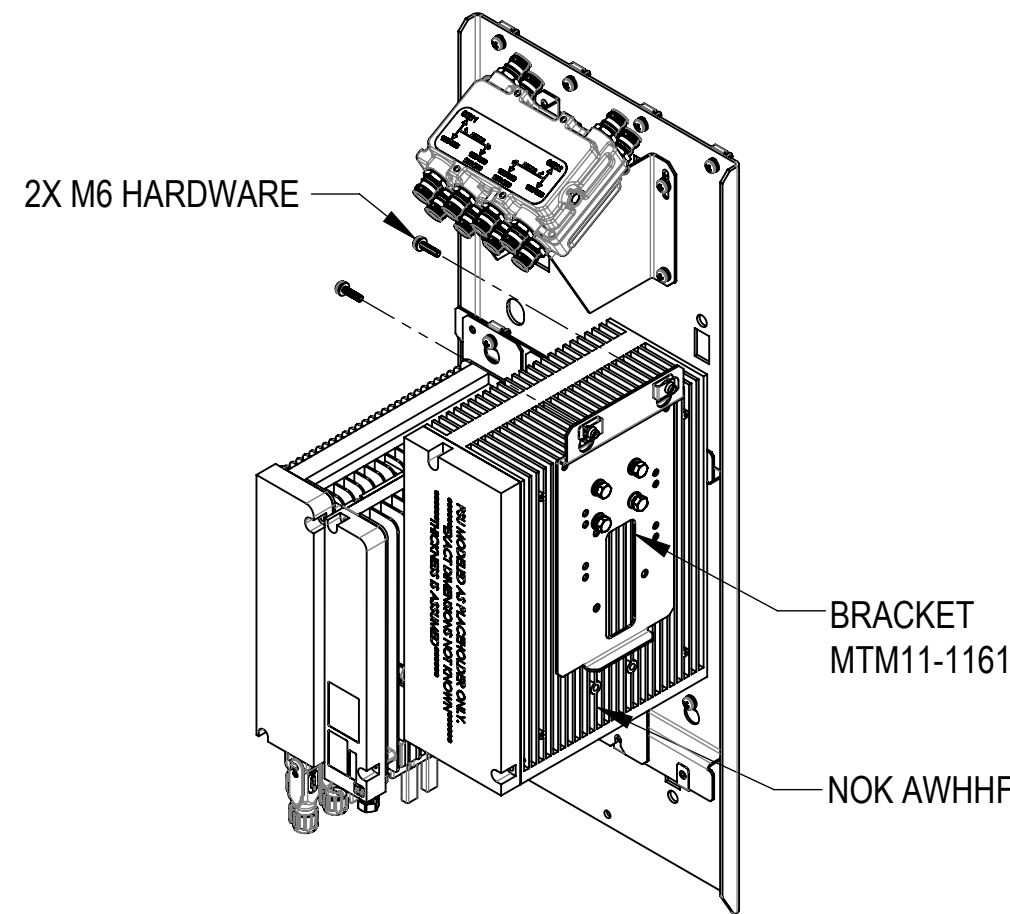
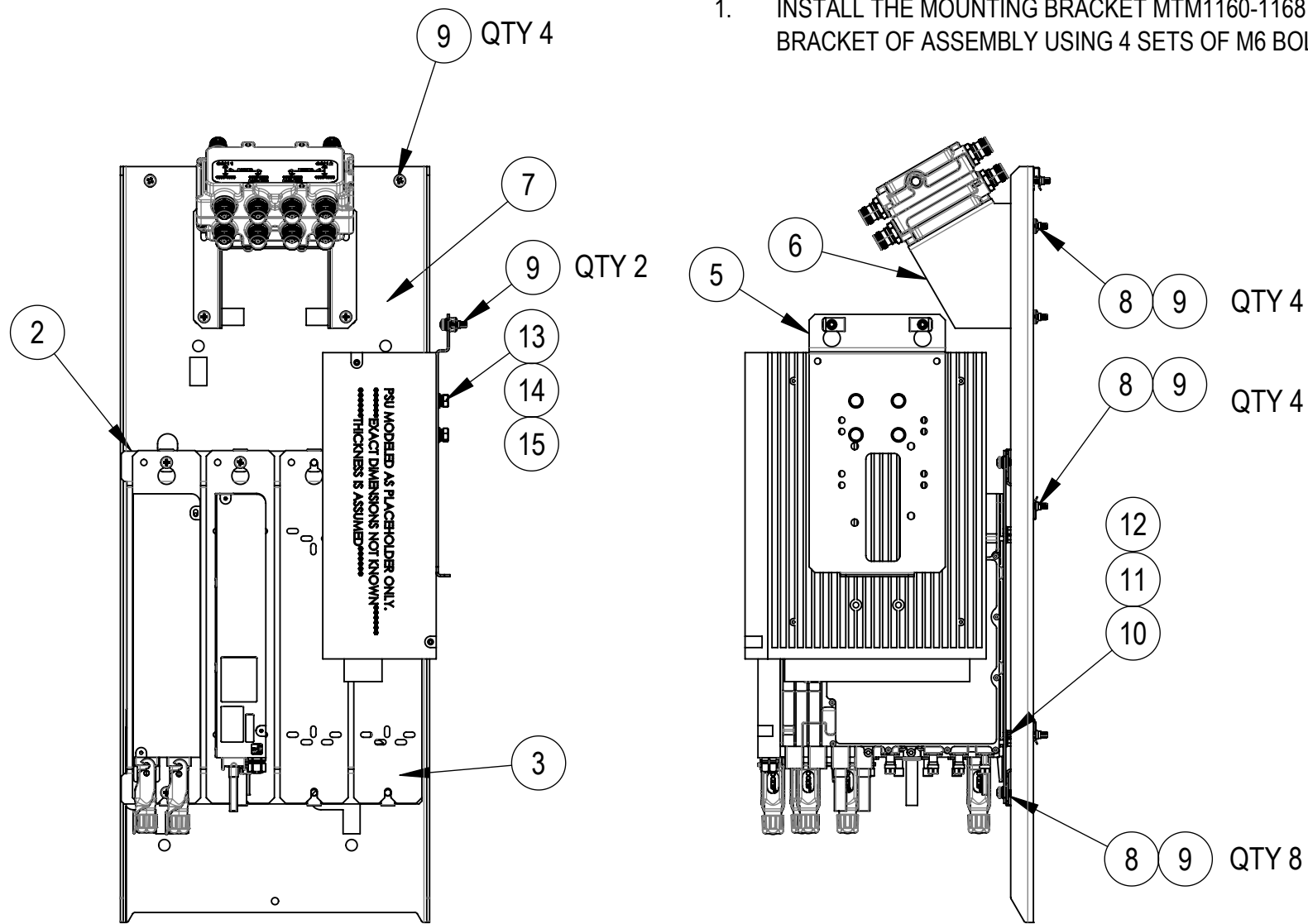
STEP 1 :
MTM1160-1168
 1. INSTALL THE MOUNTING BRACKET MTM1160-1168 TO BRACKET OF ASSEMBLY USING 4 SETS OF M6 BOLTS



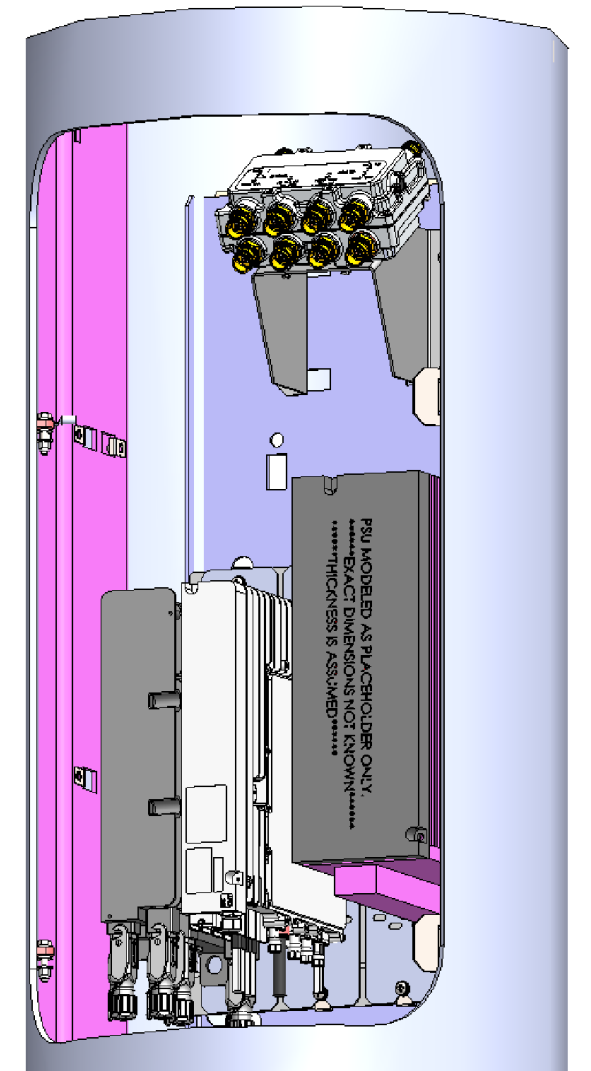
STEP 2 :
MTM1160-1167(SDX1926Q-43) + MTM1160-1131
 1. INSTALL M6 CLIP NUTS AS SHOWN
 2. INSTALL THE MOUNTING BRACKET MTM1160-1167 TO THE MOUNTING BRACKET MTM1160-1168 USING 4 SETS OF M6 BOLTS
 3. INSTALL THE MOUNTING BRACKET MTM1160-1131 TO THE MOUNTING BRACKET MTM1160-1168 USING 4 SETS OF M6 BOLTS



STEP 3 :
MTM1160-1133
 1. INSTALL M6 CLIP NUTS AS SHOWN
 2. INSTALL 4 MOUNTING BRACKET MTM1160-1133(2 EMPTY BRACKETS) TO THE MOUNTING BRACKET MTM1160-1131 USING 8 SETS OF M6 BOLTS



STEP 4 :
MTM1160-1161
 1. INSTALL THE MOUNTING BRACKET MTM1160-1161 TO BRACKET OF ASSEMBLY USING 6 SETS OF M6 BOLTS



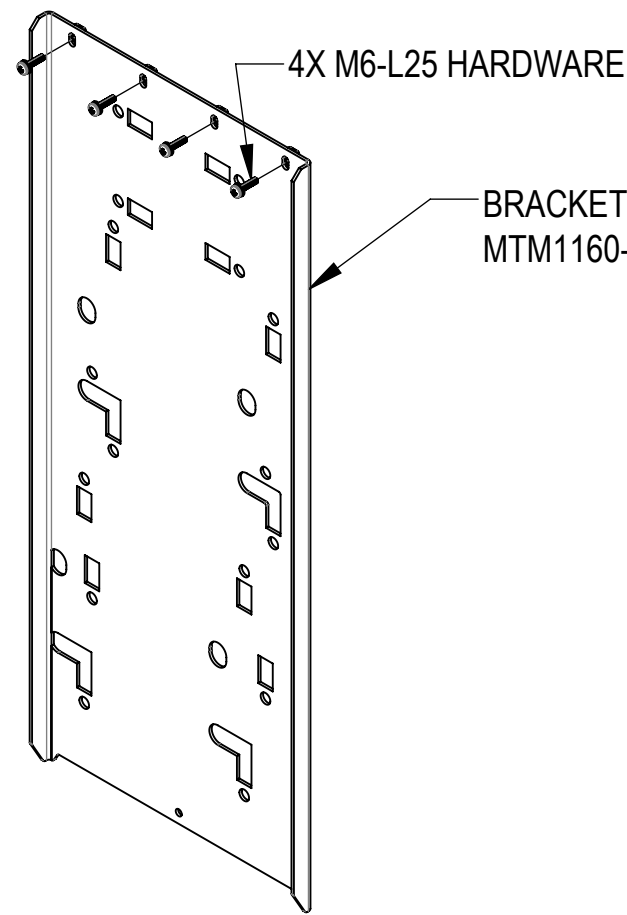
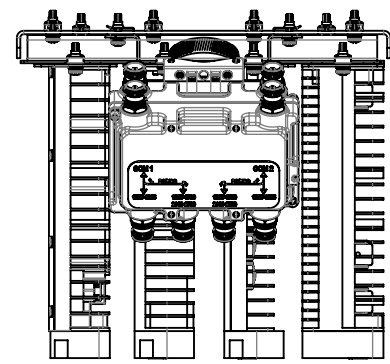
BOM FOR AWHHF + AZQC 3.5GHZ + AHFB + SDX1926Q-43 INSTALLATION

ITEM NO.	PART NUMBER	DESCRIPTION	QTY.
2	MTM1160-1131-CR	BRACKET PB20GA RAD 1-2-4 MULTI MOUNT	1
3	MTM1160-1133-CR	BRACKET, FLT-4-AIRSCALES PB20GA	4
5	MTM1160-1161-CR	BRACKET AWHHF HANGER RIGHT PB20GA	1
6	MTM1160-1167-CR	BRKT DIPLEX MNTG TOP/ANGLE PB20GA	1
7	MTM1160-1168-CR	BRKT MAIN PLATE RADIOS REAR PB20GA	1
8	460143456	CLIP NUT, M6, 316 SST	16
9	100117-4	FA,SEMS,PH,XRES,M6X25,SST,PASS	18
10	100534-356	SCR,HCS,HEX,M5X12,SST,PASS	8
11	100522-19	WSHR,LK,SPLT, M5,SST, PASS	8
12	100521-19	WSHR,FLAT,M5,5.3X10X1,SST,PASS	8
13	MTC9415	M8 X 25mm HEX BOLT SS	4
14	MTC9418	M8 LOCK WASHER SS	4
15	MTC9419	M8 FLAT WASHER SS	4

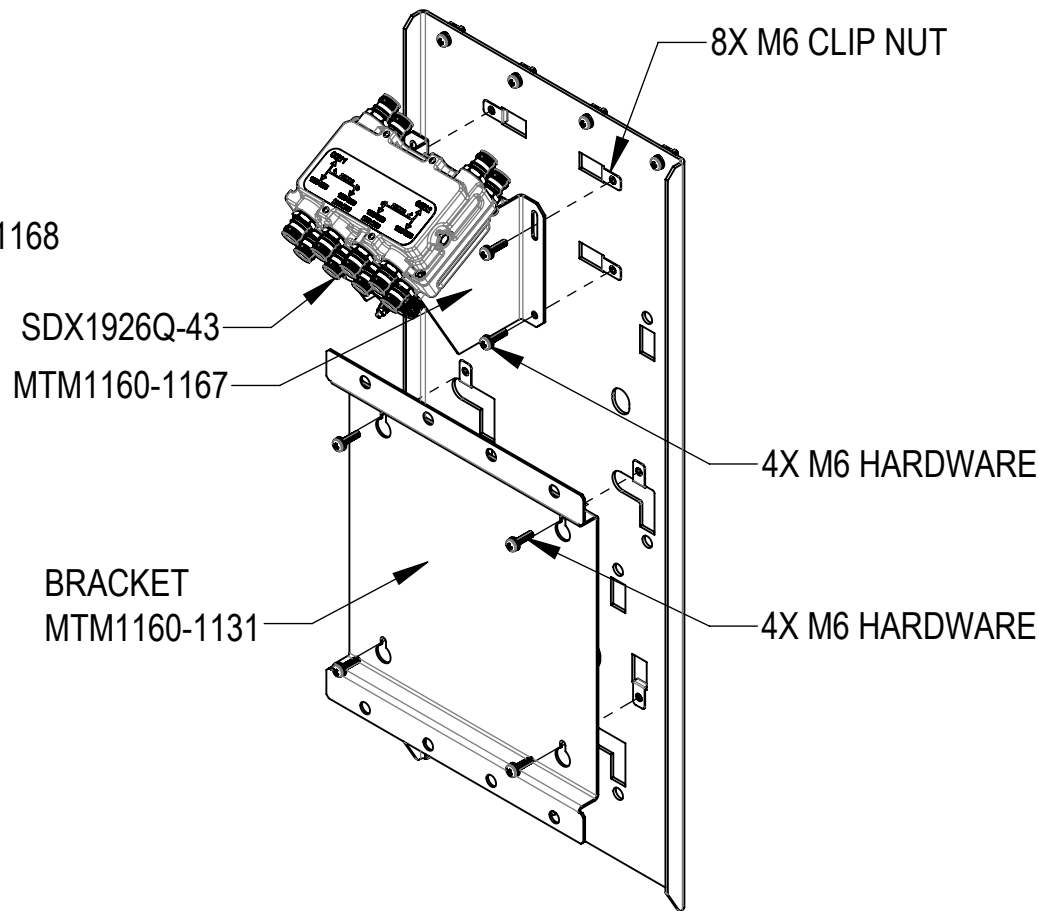
N3: NOK AWHHF + NOK AZQC 3.5GHZ + SDX1926Q-43 INSTALLATION

EQUIPMENT INSTALLATION SEE SHEET 2
 TORQUE ALL TO SPEC

COMMScope, INC. OF NORTH CAROLINA				
TITLE KIT NOKIAS INSTALL INTO PB20GA-0.375				
SIZE C	SCALE 1:10	DOCUMENT NO. MTM1193-1101-AMK-N		
		DRAWING		SHEET
		VERSION 00	STATUS RE	REVISION A
				4 OF 6

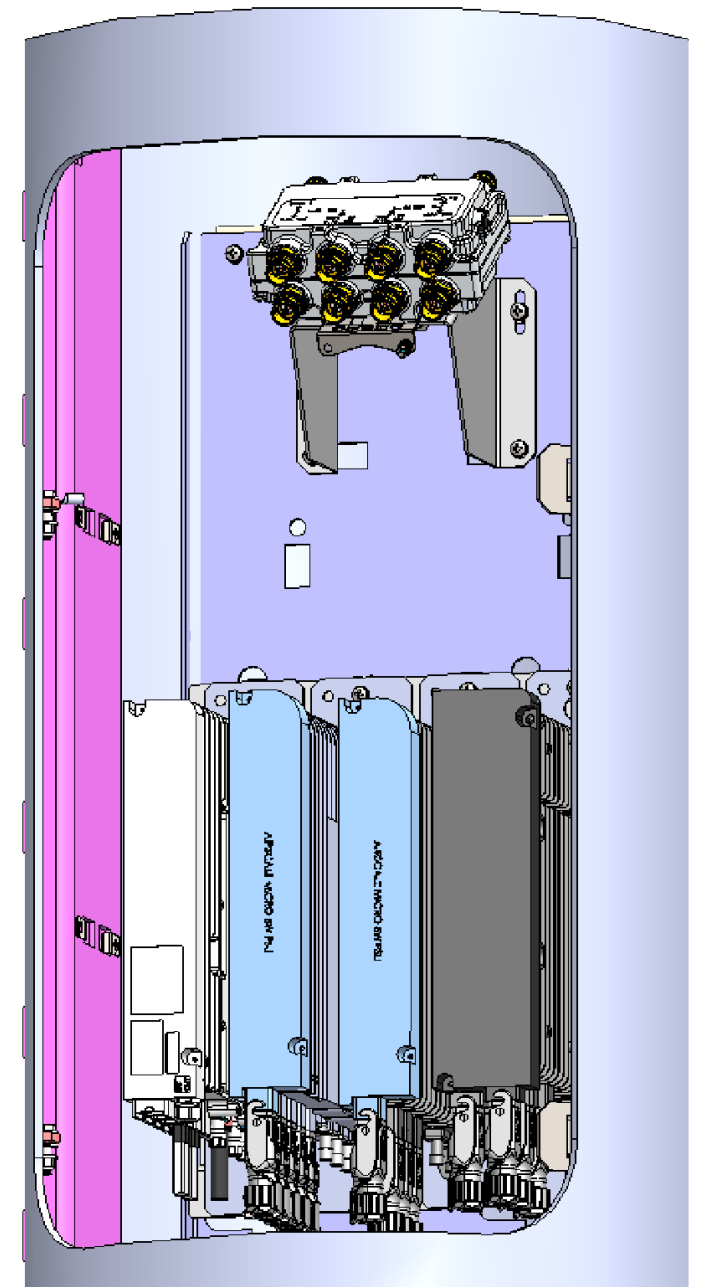


BRACKET
MTM1160-1168



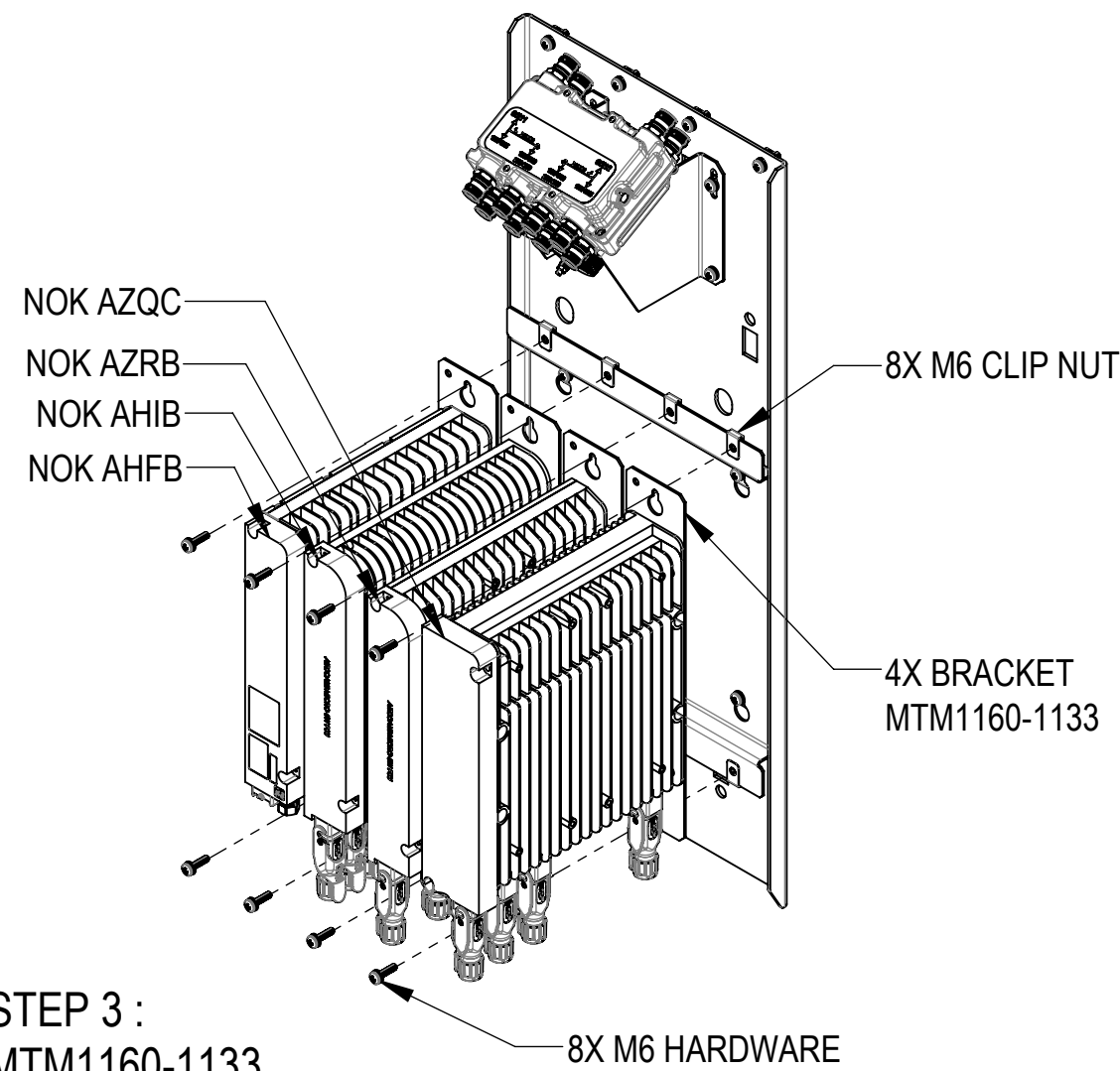
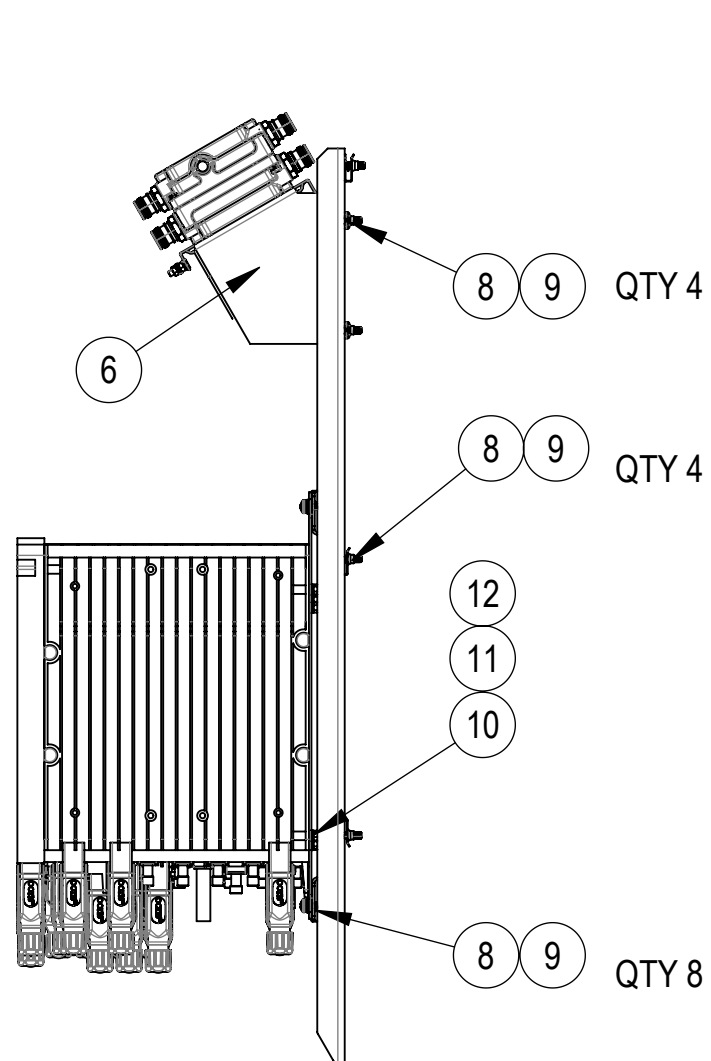
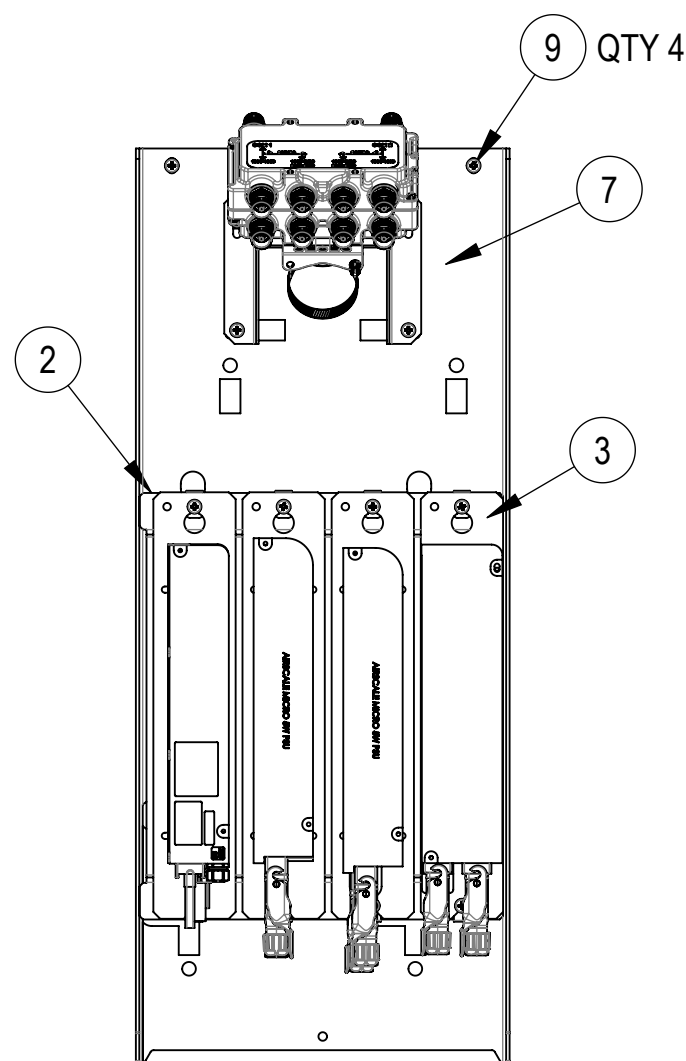
STEP 2 :
MTM1160-1167(SDX1926Q-43) + MTM1160-1131

1. INSTALL M6 CLIP NUTS AS SHOWN
2. INSTALL THE MOUNTING BRACKET MTM1160-1167 TO THE MOUNTING BRACKET MTM1160-1168 USING 4 SETS OF M6 BOLTS
3. INSTALL THE MOUNTING BRACKET MTM1160-1131 TO THE MOUNTING BRACKET MTM1160-1168 USING 4 SETS OF M6 BOLTS



STEP 1 :
MTM1160-1168

1. INSTALL THE MOUNTING BRACKET MTM1160-1168 TO BRACKET OF ASSEMBLY USING 4 SETS OF M6 BOLTS



STEP 3 :
MTM1160-1133

1. INSTALL M6 CLIP NUTS AS SHOWN
2. INSTALL 4 MOUNTING BRACKET MTM1160-1133 TO THE MOUNTING BRACKET MTM1160-1131 USING 8 SETS OF M6 BOLTS

BOM FOR NOK AHIB + NOK AZRB + NOK AZQC 3.5GHZ + NOK AHFB + SDX1926Q-43 INSTALLATION

ITEM NO.	PART NUMBER	DESCRIPTION	QTY.
2	MTM1160-1131-CR	BRACKET PB20GA RAD 1-2-4 MULTI MOUNT	1
3	MTM1160-1133-CR	BRACKET, FLT-4-AIRSCALES PB20GA	4
6	MTM1160-1167-CR	BRKT DIPLEX MNTG TOP/ANGLE PB20GA	1
7	MTM1160-1168-CR	BRKT MAIN PLATE RADIOS REAR PB20GA	1
8	460143456	CLIP NUT, M6, 316 SST	16
9	100117-4	FA,SEMS,PH,XRES,M6X25,SST,PASS	20
10	100534-356	SCR,HCS,HEX,M5X12,SST,PASS	16
11	100522-19	WSHR,LK,SPLT, M5,SST, PASS	16
12	100521-19	WSHR,FLAT,M5,5.3X10X1,SST,PASS	16

N4: NOK AHFB + AHIB + AZRB + AZQC 3.5GHZ + SDX1926Q-43 INSTALLATION

EQUIPMENT INSTALLATION SEE SHEET 2
TORQUE ALL TO SPEC

COMMSCOPE, INC. OF NORTH CAROLINA			
TITLE KIT NOKIAS INSTALL INTO PB20GA-0.375			
SIZE C	SCALE 1:10	DOCUMENT NO. MTM1193-1101-AMK-N	
DRAWING		VERSION	STATUS
DRAWING		REVISION	REVISION
DRAWING		00	RE
DRAWING		A	A
SHEET 5 OF 6			

D

D

C

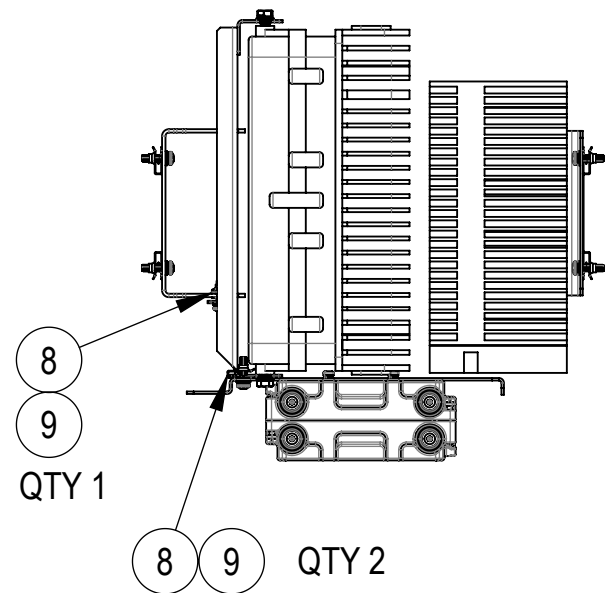
C

B

B

A

A



STEP 1 :
MTM1160-1152

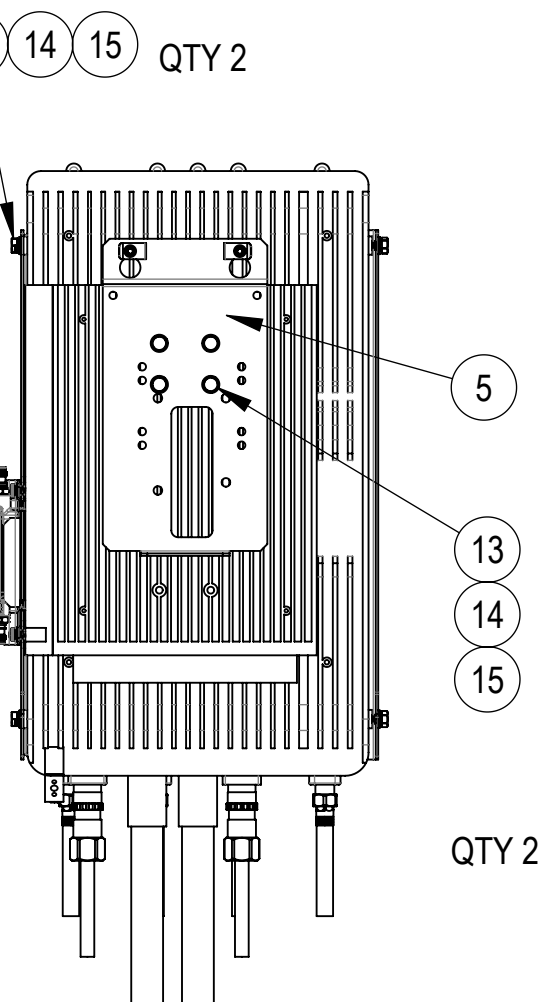
1. INSTALL THE 2 MOUNTING BRACKET MTM1160-1152 TO BRACKET OF ASSEMBLY USING 4 SETS OF M6 BOLTS

STEP 2 :
MTM1160-1120(B)

1. INSTALL M6 CLIP NUTS AS SHOWN
2. HANG THE MOUNTING BRACKET MTM1160-1120(B) TO 2 MOUNTING BRACKET MTM1160-1152, THEN LOCK THEM USING 1 SET OF M6 BOLTS

STEP 3 :
MTM1160-1161(NOK AWHHF)

1. INSTALL THE MOUNTING BRACKET MTM1160-1161 TO BRACKET OF ASSEMBLY USING 2 SETS OF M6 BOLTS



STEP 4 :
MTM1160-1161(SDX1926Q-43)

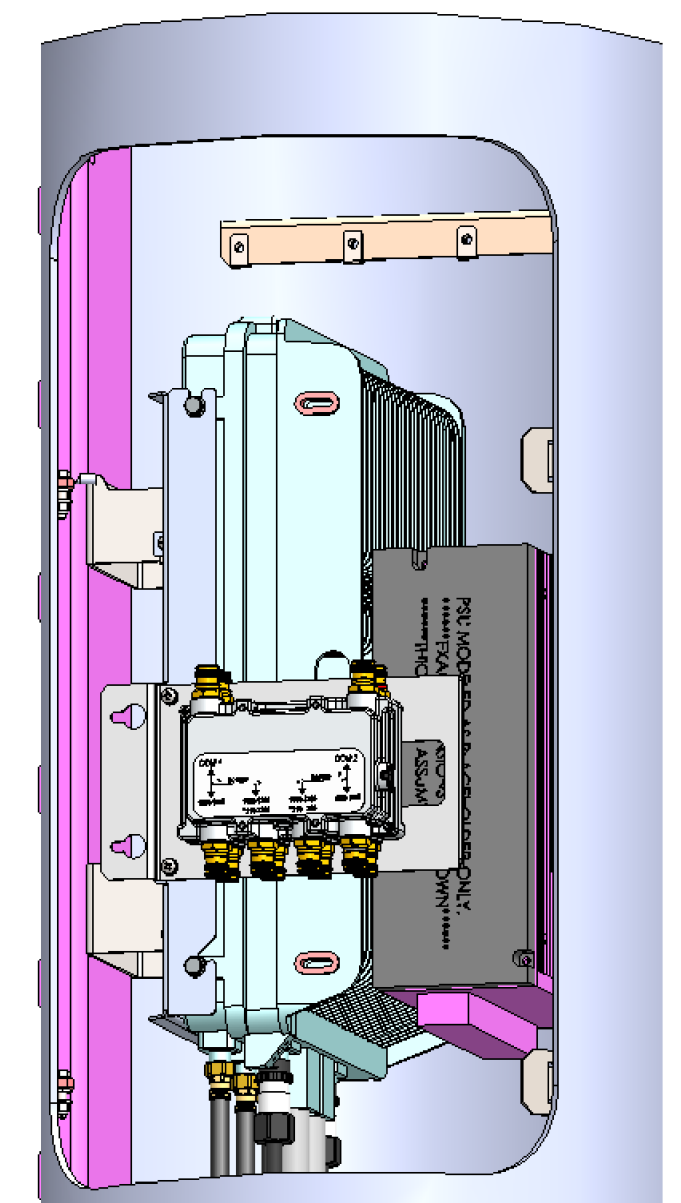
1. INSTALL M6 CLIP NUTS AS SHOWN
2. INSTALL THE MOUNTING BRACKET MTM1160-1161 TO THE MOUNTING BRACKET MTM1160-1120 USING 2 SETS OF M6 BOLTS

BOM FOR NOK AHFIB + NOK AWHHF + SDX1926Q-43 INSTALLATION

ITEM NO.	PART NUMBER	DESCRIPTION	QTY.
1	MTM1160-1120	KIT MULTI-FIT BIG NOK INSTALL PB20GA	1
4	MTM1160-1152-CR	BRACKET NOK-HEAVY U-HANG SHORT PB20GA	2
5	MTM1160-1161-CR	BRACKET AWHHF HANGER RIGHT PB20GA	2
8	460143456	CLIP NUT, M6, 316 SST	3
9	100117-4	FA,SEMS,PH,XRES,M6X25,SST,PASS	9
13	MTC9415	M8 X 25mm HEX BOLT SS	8
14	MTC9418	M8 LOCK WASHER SS	8
15	MTC9419	M8 FLAT WASHER SS	8

N5: NOK AHFIB + NOK AWHHF + SDX1926Q-43 INSTALLATION

EQUIPMENT INSTALLATION SEE SHEET 2
TORQUE ALL TO SPEC



COMMScope, INC. OF NORTH CAROLINA

TITLE
KIT NOKIAS INSTALL INTO PB20GA-0.375

SIZE C SCALE 1:10 DOCUMENT NO. MTM1193-1101-AMK-N

DRAWING			SHEET 6 OF 6
VERSION	STATUS	REVISION	
00	RE	A	