

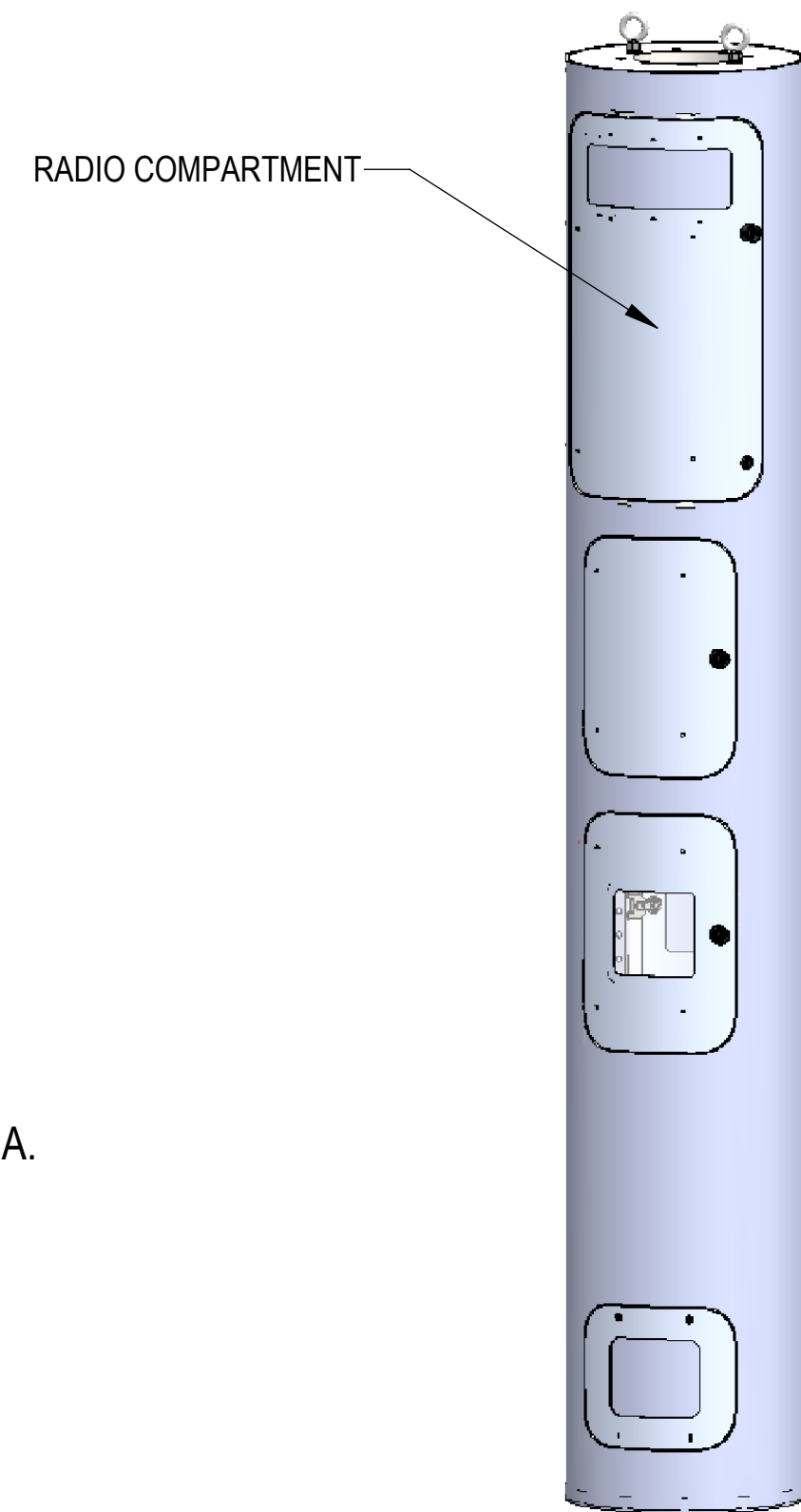
- 1.0 GENERAL NOTES
 1.1 THIS DOCUMENT PROVIDES INSTALLATION INSTRUCTIONS FOR POWER SUPPLY UNITS MOUNTING INTO PRIMARY PSU MOUNTING LOCATION OF THE 20" POLE BASE
- 2.0 DESIGN NOTES
 2.1 POWER SUPPLY/RECTIFIERS SUPPLIED SEPARATELY, SHOWN FOR REFERENCE ONLY
- 3.0 MANUFACTURING/SPECIAL REQUIREMENTS
 3.1 TORQUE HARDWARE ACCORDING TO SIZE:
 > M4: TORQUE 19.50 IN-LB OR 2.2 N-M
 > M6: TORQUE 40.0 IN-LB OR 4.5 N-M
 > M8: TORQUE 6.6 FT-LB OR 9.0 N-M
 > M10: TORQUE 16.2 FT-LB OR 22 N-M
 > 1/4": TORQUE 4.8 FT-LB OR 6.6 N-M
- 3.2 EXTRA HARDWARE MAY BE SUPPLIED
- 4.0 TEST
- 5.0 PACKAGING
 5.1 PACKAGING SHALL MEET COMMSCOPE REQUIREMENTS PER DOCUMENT IS-PL-3005
 5.2 BAG AND INDIVIDUALLY TAG ALL HARDWARE AND PLACE IN SHIPPING BOX WITH BRACKETS FOR CUSTOMER INSTALLATION.
 5.3 THIS PRINTED DOCUMENT TO BE PLACED INSIDE SHIPPING BOX FOR CUSTOMER INSTALLATION

REVISIONS			
REV.	DESCRIPTION	DATE	APPROVED
A	INITIAL RELEASE	NSUN 13SEP23	RW1043 40178739CMO

SAMSUNG EQUIPMENT INSTALLATION CONFIGURATION LIST

CONFIGURATION	SHEET NO.	EQUIP.1	QTY	EQUIP.2	QTY
S1&2	3	SAM RF4437D	1	SDX1926Q-43	1
S3&4	4	SAM RF4442D	1	SDX1926Q-43	1
S5&6	5	SAM RT8808-77A	1	SDX1926Q-43	1
S7	6	SAM RT2201-46A	1	SAM CBRS	1
S8	7	SAM RF4402D	1		
S9	8	SAM RF4402D	1	SAM CBRS	1

ESTABLISH SAMSUNG CONFIGURATION FROM ABOVE TABLE TO INSTALL DESIRED SAMSUNG RADIOS IN THE PB20GA.
 SEE SHEET 2 FOR DETAILED SECURING OF RADIOS & DIPLEXERS TO BRACKETS.
 SEE SPECIFIC SHEET NUMBER FOR FURTHER INSTALLATION DETAILS.



PB20GA

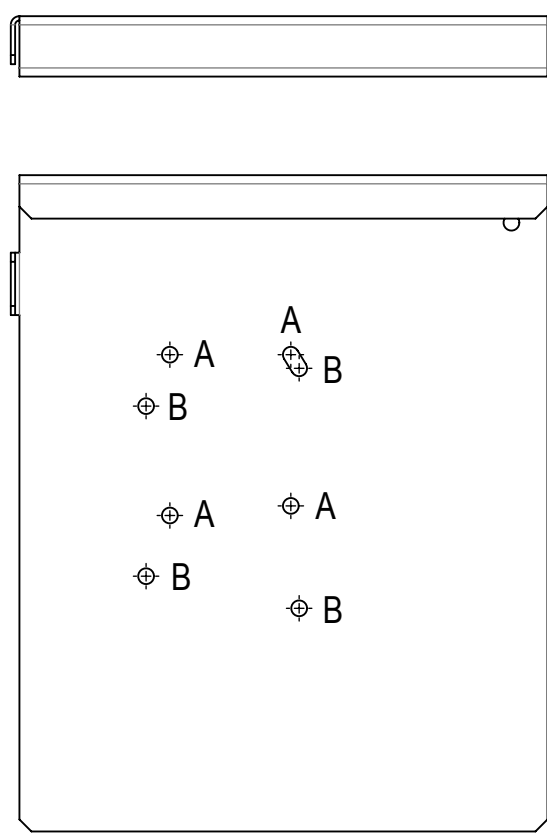
COMPONENT PART NUMBERS PROVIDED FOR ASSEMBLY PURPOSES;
 INDIVIDUAL COMPONENTS MAY BE SHIPPED AS PARTS WITHIN AN INCLUDED KIT.

ITEM NO.	PART NUMBER	DESCRIPTION	QTY.	
1	MTM1193-1112-CR	BRKT LG SPRT 4 HOOK & HANG PB20GA-0.375	1	
2	MTM1160-1142-CR	BRKT SLIDE HANGER SAMSUNG PB20GA	1	
3	MTM1160-1161-CR	BRACKET AWHHF HANGER RIGHT PB20GA	1	
4	MTM1160-1162-CR	BRACKET, HANGING RAIL MOVEABLE PB20GA	1	
5	MTM1160-1163-CR	BRACKET SAM 8 & 9 RF4402 RHT PB20GA	1	
6	MTM1160-1167-CR	BRKT DIPLEX MNTG TOP/ANGLE PB20GA	1	
7	MTM1160-1169-CR	BRKT MAIN HK & HANG REAR PLT PB20GA	1	
8	460143456	CLIP NUT, M6, 316 SST	4	
9	100117-4	FA,SEMS,PH,XRES,M6X25,SST,PASS	10	
10	SNYL02	1/4" SS NYLOCK HEX NUT	3	
11	SWF-02	FLAT WASHER, 1/4" SS	3	
12	100534-214	SCR,HCS,HEX,M6X20,SST,PASS	8	
13	100521-86	WSHR,FLAT,M6,6.4X12X1.6,SST,PASS	8	
14	100522-104	WSHR,LK,SPLT, M6,SST, PASS	8	
9000	MTM1193-1101-AMK-S	REFERENCE DOCUMENT	1	5.3

DENSITY	lbs/in ³
MASS	lbs
VOLUME	in ³
SURFACE AREA	in ²
HEIGHT	N/A
LENGTH	N/A
WIDTH	N/A

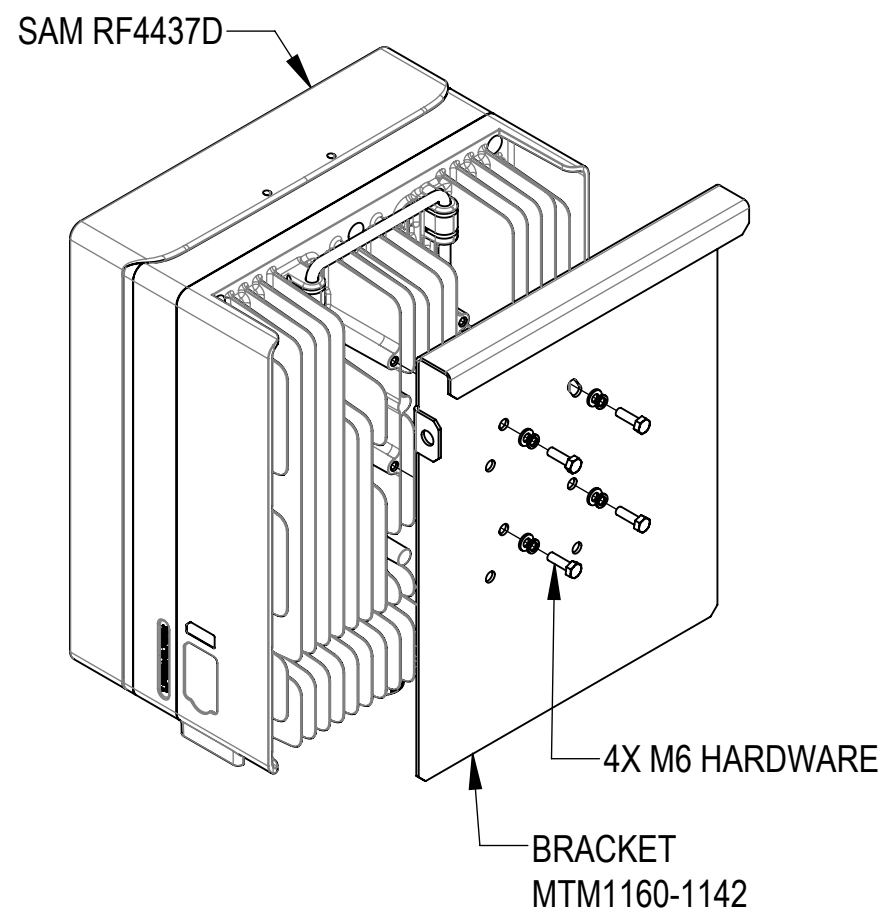
COMMSCOPE, INC. OF NORTH CAROLINA									
TOLERANCES					SAP MATERIAL MASTER				
1 PLACE .X[X] ± N/A			3 PLACE .XXX[X] ± N/A		MTM1193-1101-AMK-S				
2 PLACE .XX[X] ± N/A			ANGLES ± N/A°						
FINISH					MATERIAL				
UNLESS OTHERWISE SPECIFIED DIMENSIONS ARE IN INCHES INTERPRET PER ANSI Y 14.5M-1994	NAME	DATE	TITLE						
	CE NSUN	13SEP23	KIT SAMSUNG INSTALL INTO PB20GA-0.375						
	RW NSUN	09/18/2023							
	AD RW1043	09/19/2023							
	RE RW1043	09/20/2023							
ECN 40178739CMO			SCALE	DOCUMENT NO.					
			1:10	MTM1193-1101-AMK-S					
SIZE	Auth Group	INSL	MODEL			DRAWING			
C			VERSION	STATUS	REVISION	VERSION	STATUS	REVISION	SHEET
			00	RE	A	00	RE	A	1 OF 8

EQUIPMENT MOUNTING INSTALLATION



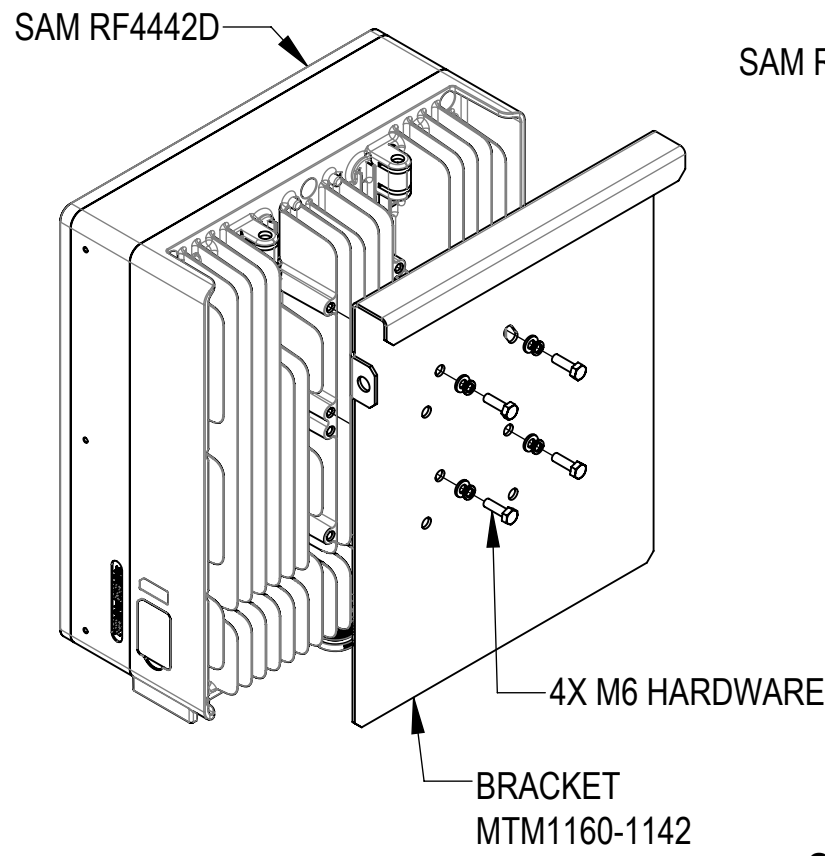
RADIO INSTALLATION MTM1160-1142

"A": SAM RF4437D + SAM RF4442D +
SAM RT2201-46A
"B": SAM RT8808-77A



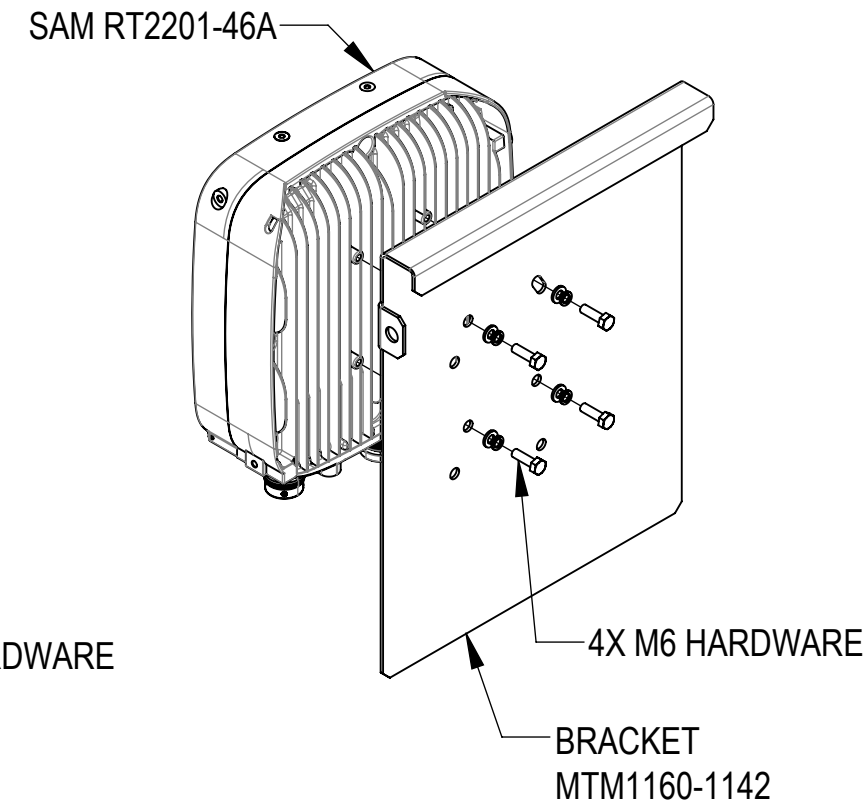
SAM RF4437D:

INSTALL THE SAM RF4437D TO THE MOUNTING
BRACKET MTM1160-1142 USING 4 SETS OF M6 BOLTS
AS SHOWN



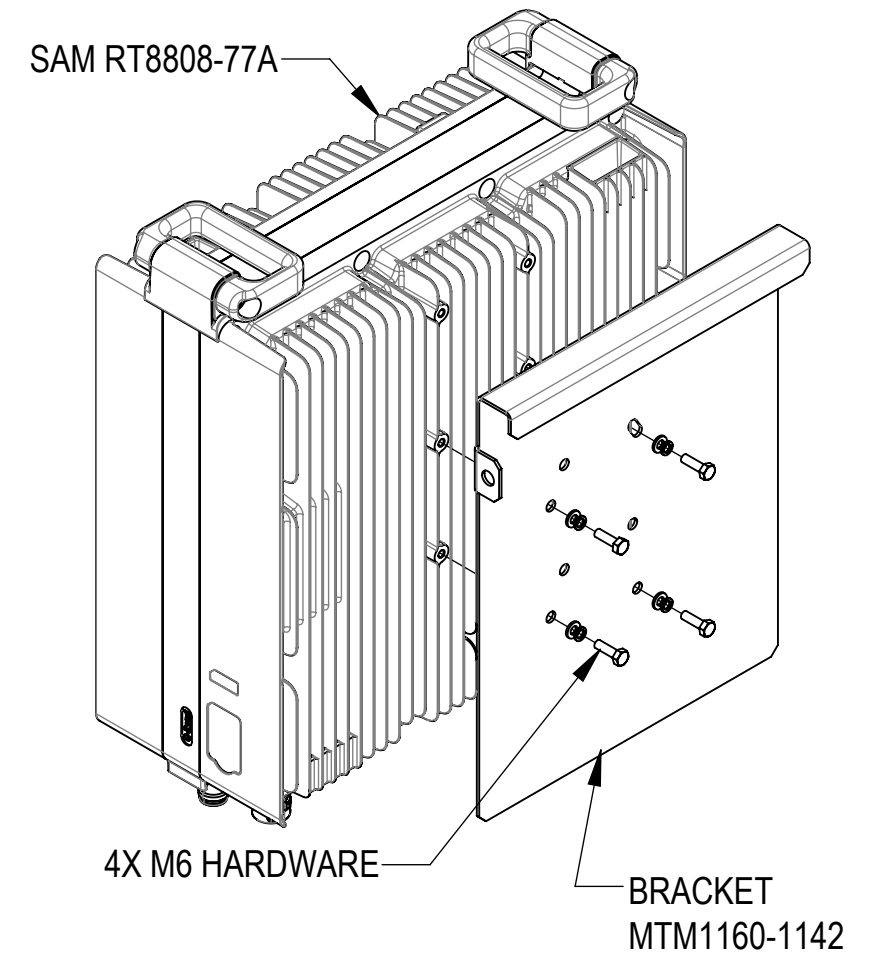
SAM RF4442D:

INSTALL THE SAM RF4442D TO THE MOUNTING
BRACKET MTM1160-1142 USING 4 SETS OF M6 BOLTS
AS SHOWN



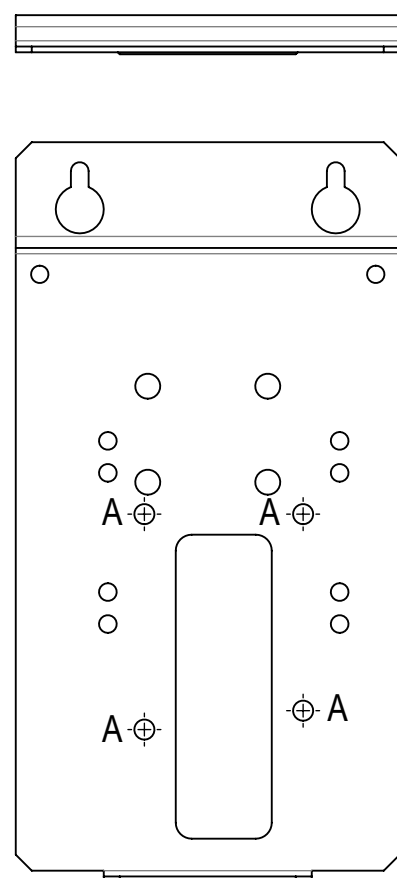
SAM RT2201-46A:

INSTALL THE SAM RT2201-46A TO THE MOUNTING
BRACKET MTM1160-1142 USING 4 SETS OF M6 BOLTS
AS SHOWN



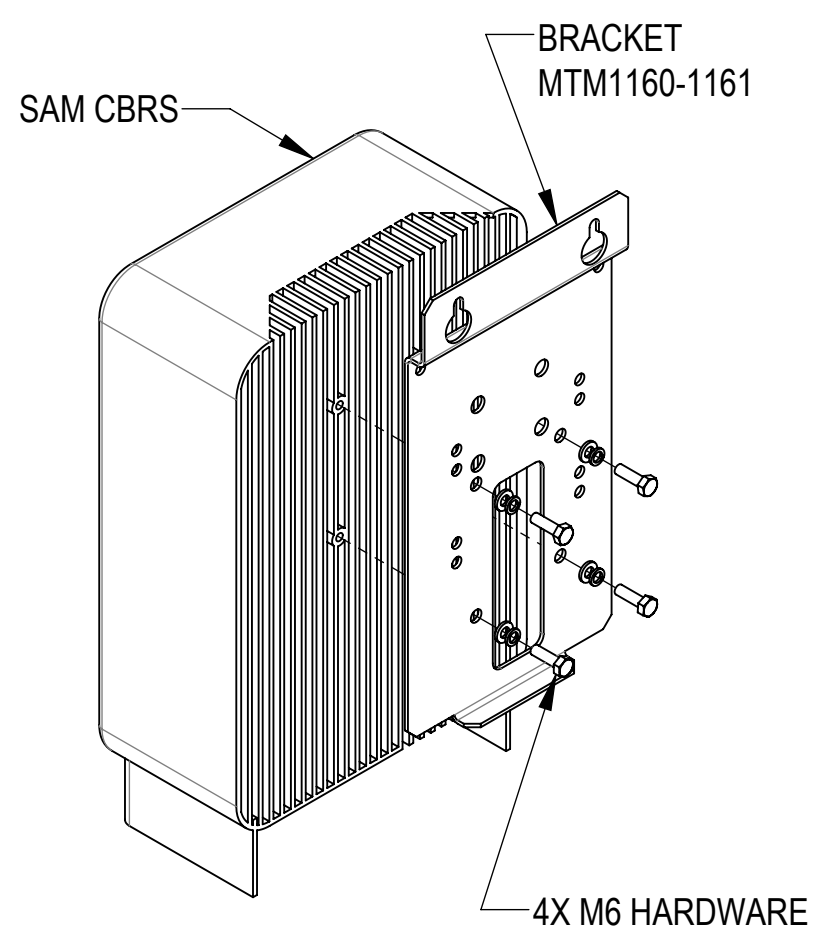
SAM RT8808-77A:

INSTALL THE SAM RT8808-77A TO THE MOUNTING
BRACKET MTM1160-1142 USING 4 SETS OF M6 BOLTS
AS SHOWN



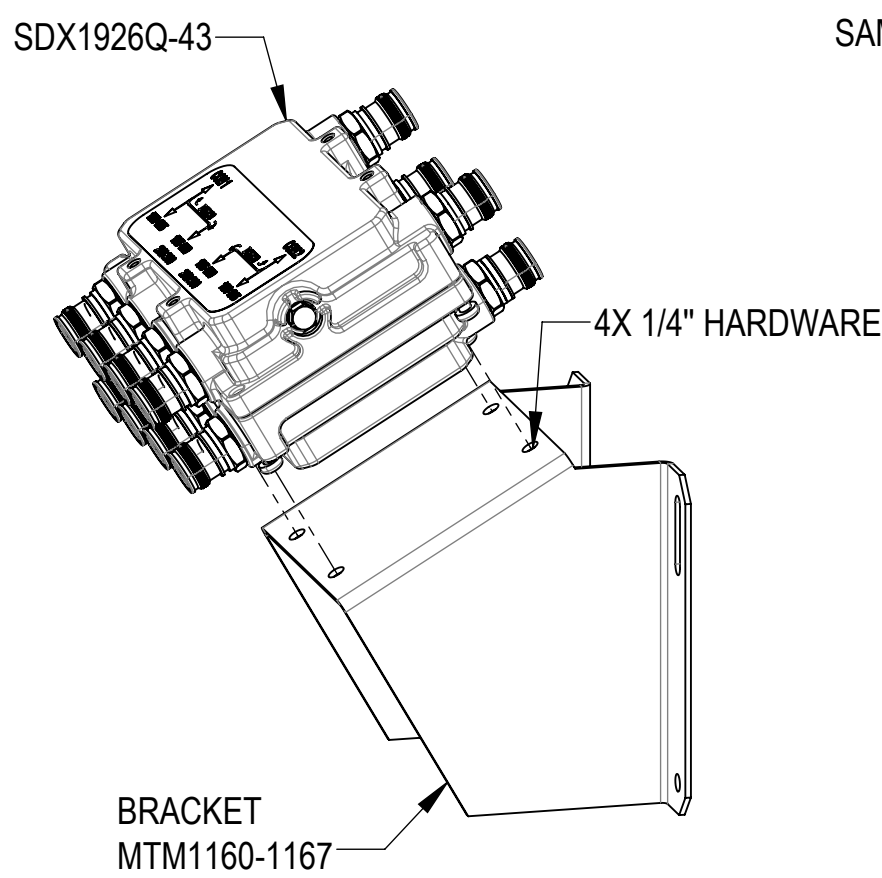
RADIO INSTALLATION MTM1160-1161

"A": SAM CBRS



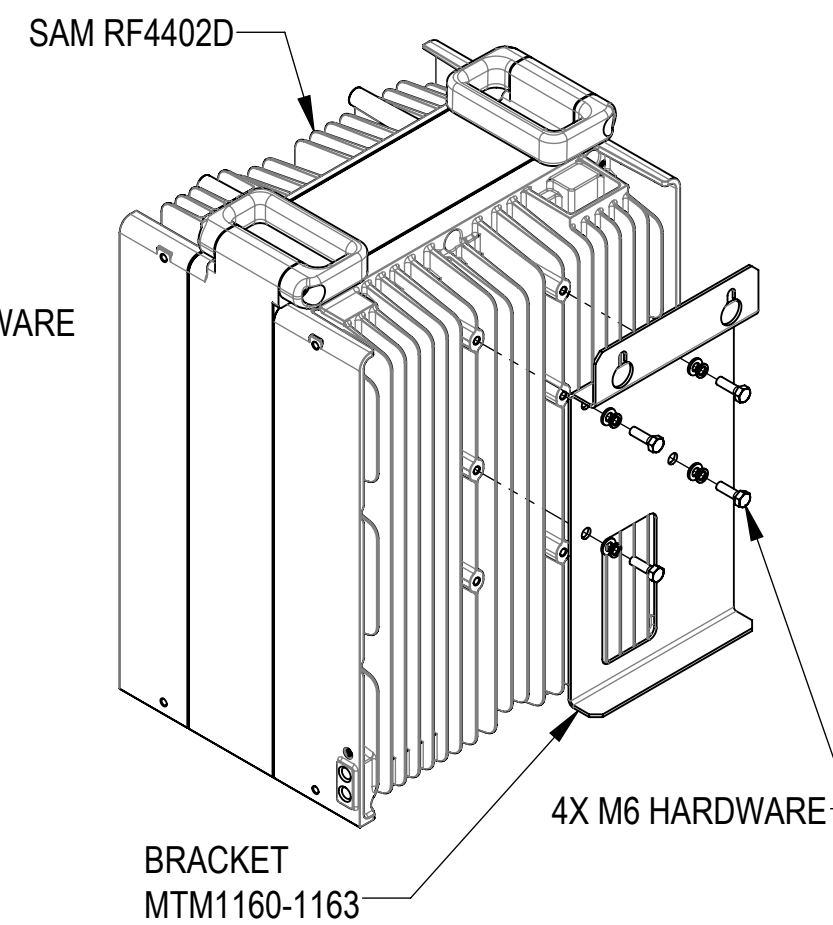
SAM CBRS:

INSTALL THE SAM CBRS TO THE MOUNTING
BRACKET MTM1160-1161 USING 4 SETS OF M6 BOLTS
AS SHOWN



SDX1926Q-43:

INSTALL THE SDX1926Q-43 TO THE MOUNTING
BRACKET MTM1160-1167 USING 4 SETS OF 1/4" BOLTS
AS SHOWN

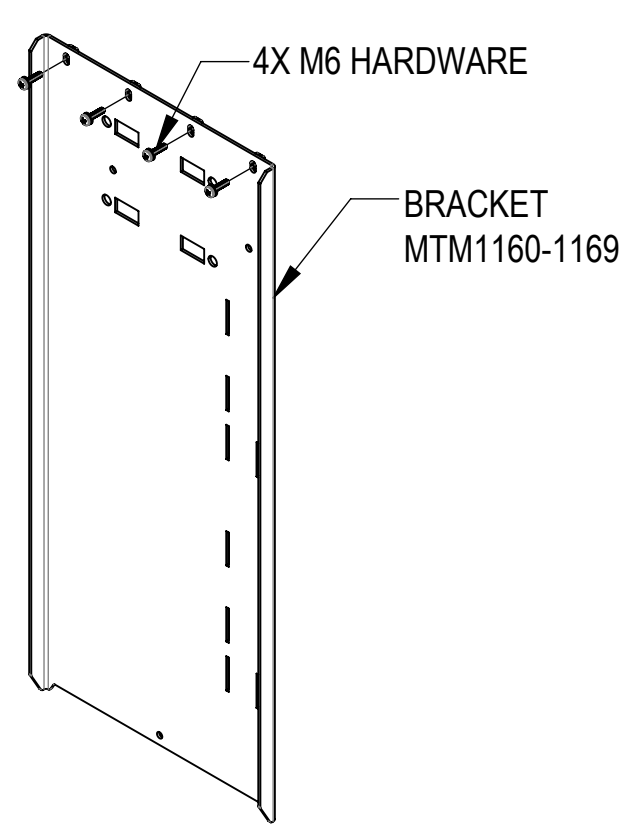
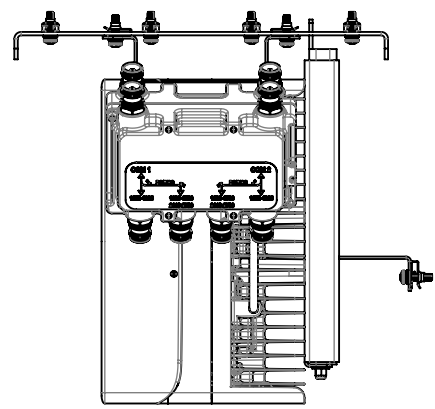


SAM RF4402D:

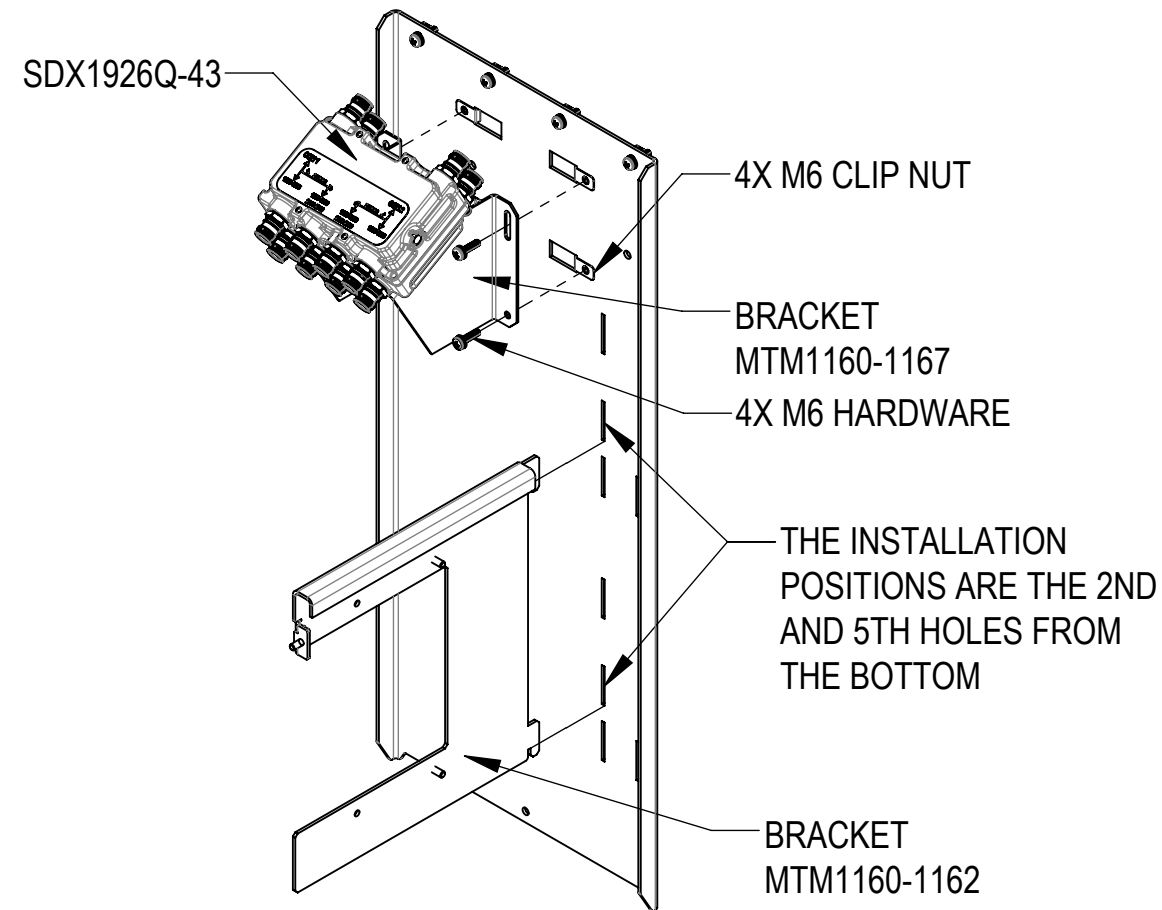
INSTALL THE SAM RF4402D TO THE MOUNTING
BRACKET MTM1160-1163 USING 4 SETS OF M6 BOLTS
AS SHOWN

TORQUE ALL TO SPEC

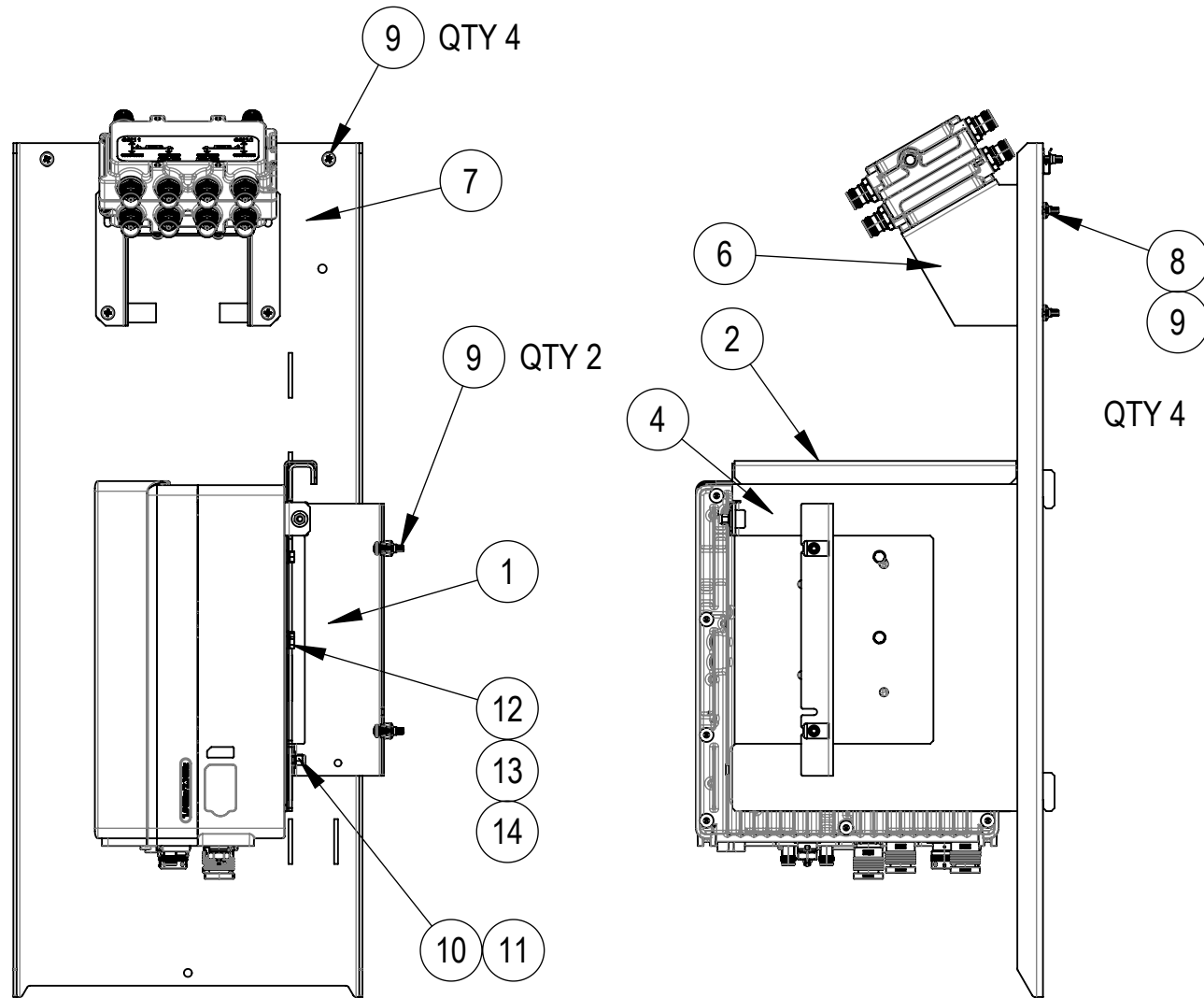
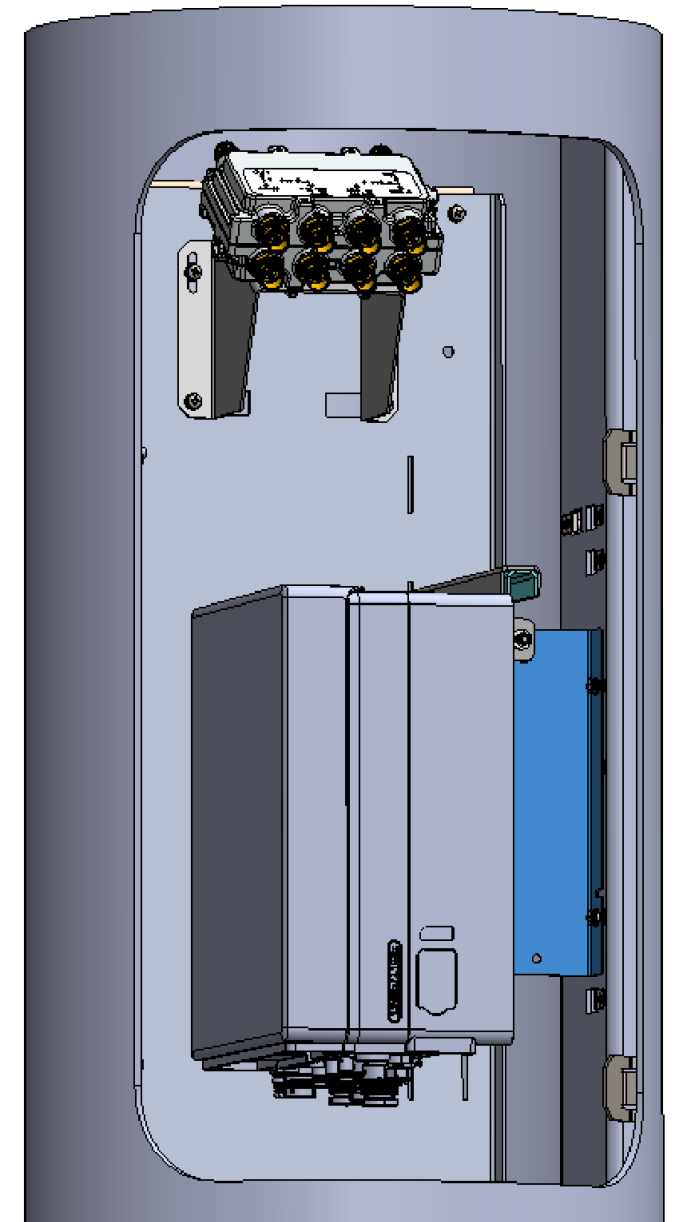
COMMSCOPE, INC. OF NORTH CAROLINA				
TITLE KIT SAMSUNG INSTALL INTO PB20GA-0.375				
SIZE C	SCALE 1:10	DOCUMENT NO. MTM1193-1101-AMK-S		
		DRAWING		SHEET
		VERSION	STATUS	REVISION
		00	RE	A
				2 OF 8



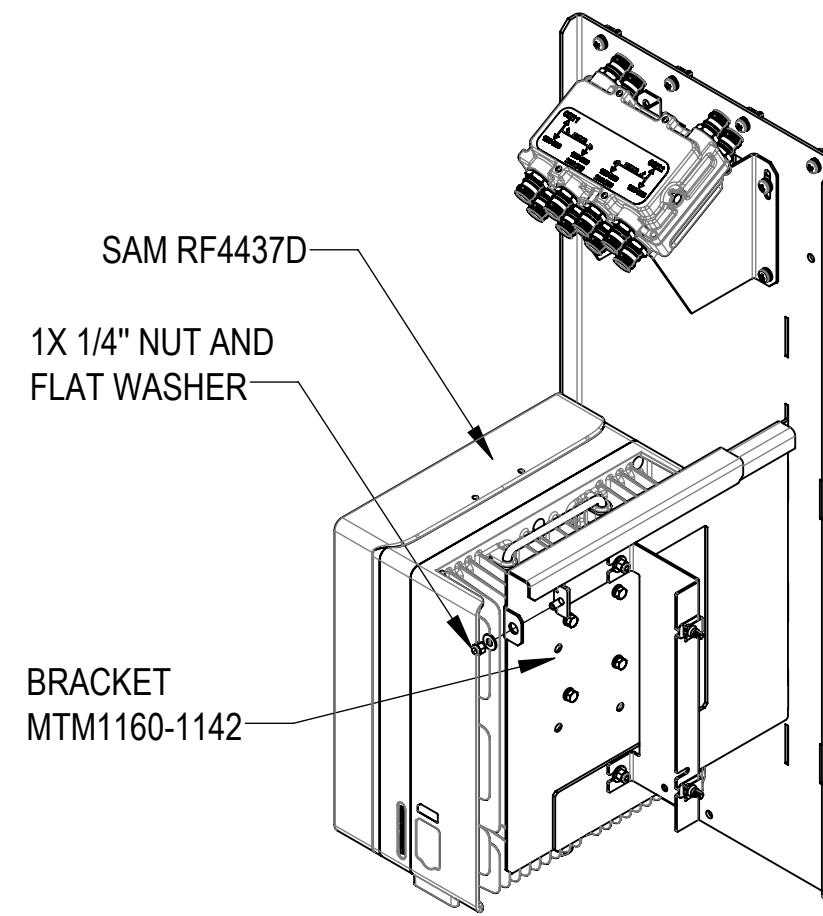
STEP 1 :
MTM1160-1169
 1. INSTALL THE MOUNTING BRACKET MTM1160-1169 TO BRACKET OF ASSEMBLY USING 4 SETS OF M6 BOLTS



STEP 2 :
MTM1160-1167(SDX1926Q-43) + MTM1160-1162
 1. INSTALL M6 CLIP NUTS AS SHOWN
 2. INSTALL THE MOUNTING BRACKET MTM1160-1167 TO THE MOUNTING BRACKET MTM1160-1169 USING 4 SETS OF M6 BOLTS.
 3. HANG THE MOUNTING BRACKET MTM1160-1162 TO THE 2ND AND 5TH HOLES FROM THE BOTTOM OF THE MOUNTING BRACKET MTM1160-1169



STEP 3 :
MTM1193-1112
 1. INSTALL ONE SIDE OF THE MOUNTING BRACKET MTM1193-1112 TO BRACKET OF ASSEMBLY USING 2 SETS OF M6 BOLTS AND THE OTHER SIDE(AVOIDED SLOT) TO THE MOUNTING BRACKET MTM1160-1162 USING 2 SETS OF 1/4" NUTS



STEP 4 :
MTM1160-1142(SAM RF4437D)
 1. HANG THE MOUNTING BRACKET MTM1160-1142 TO THE MOUNTING BRACKET MTM1160-1162 AND LOCK THE SIDE USING 1 SET OF 1/4" NUTS

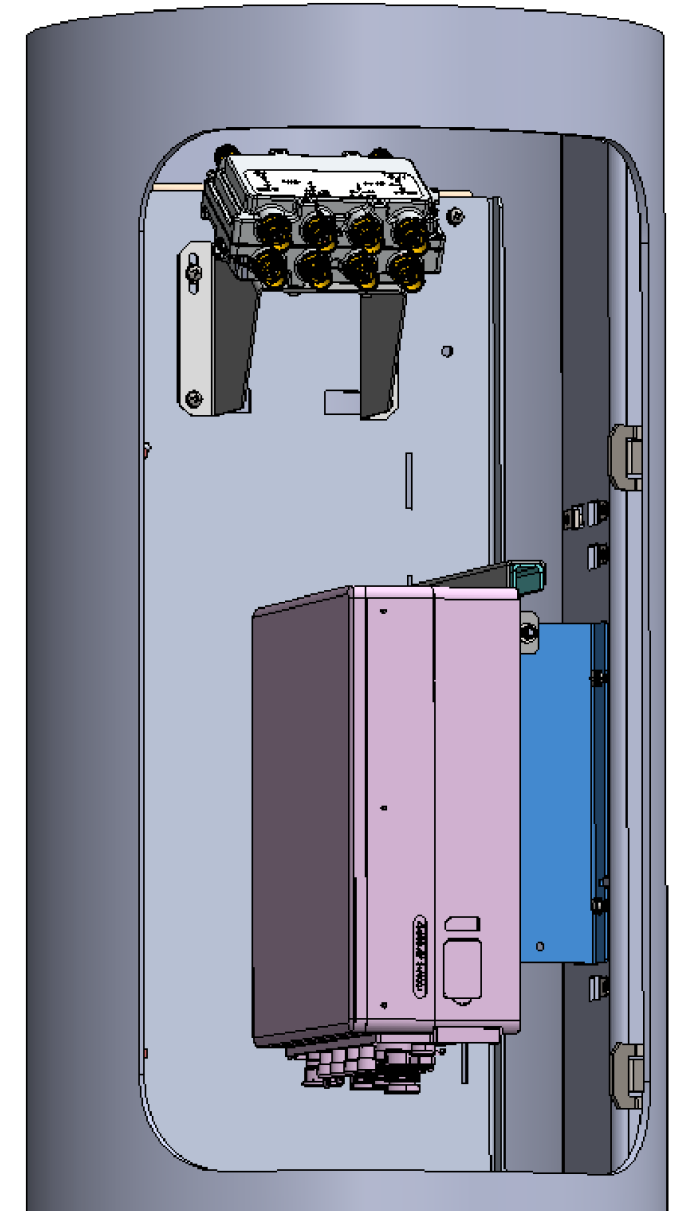
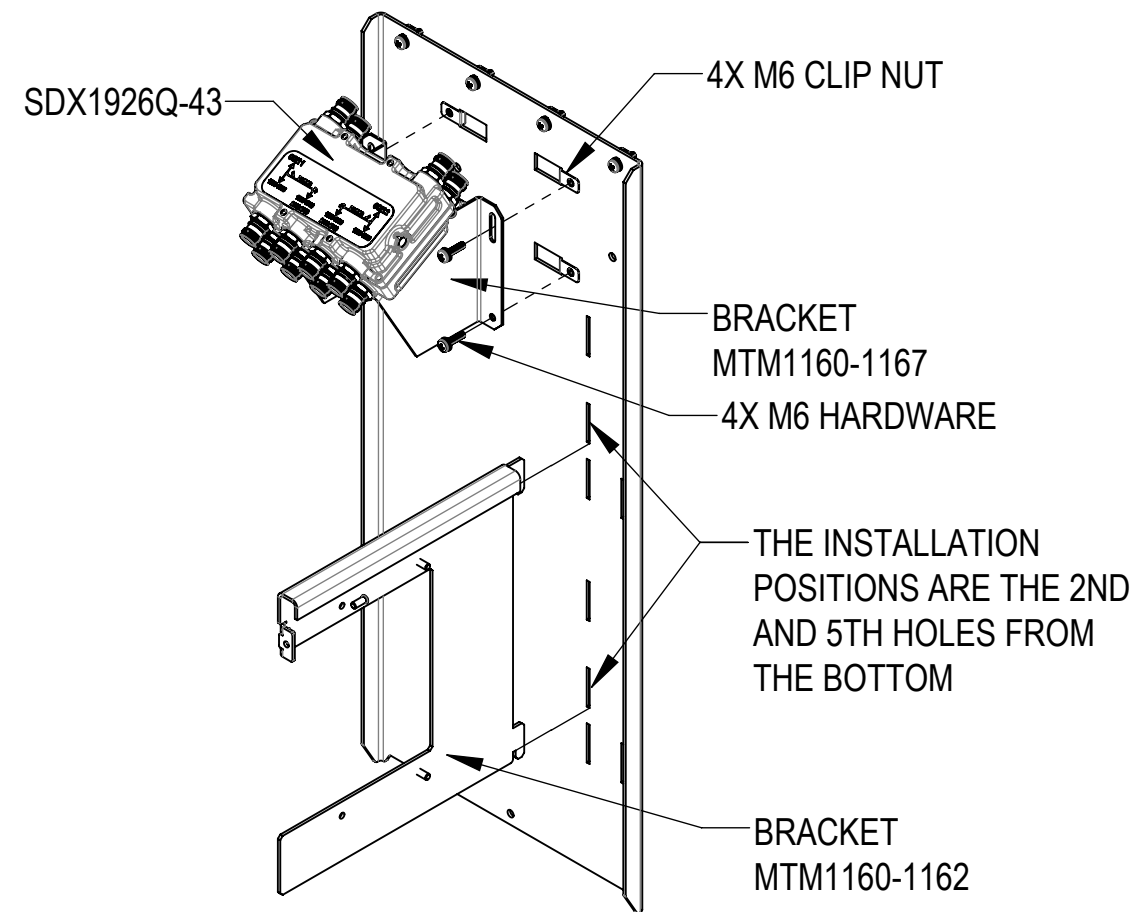
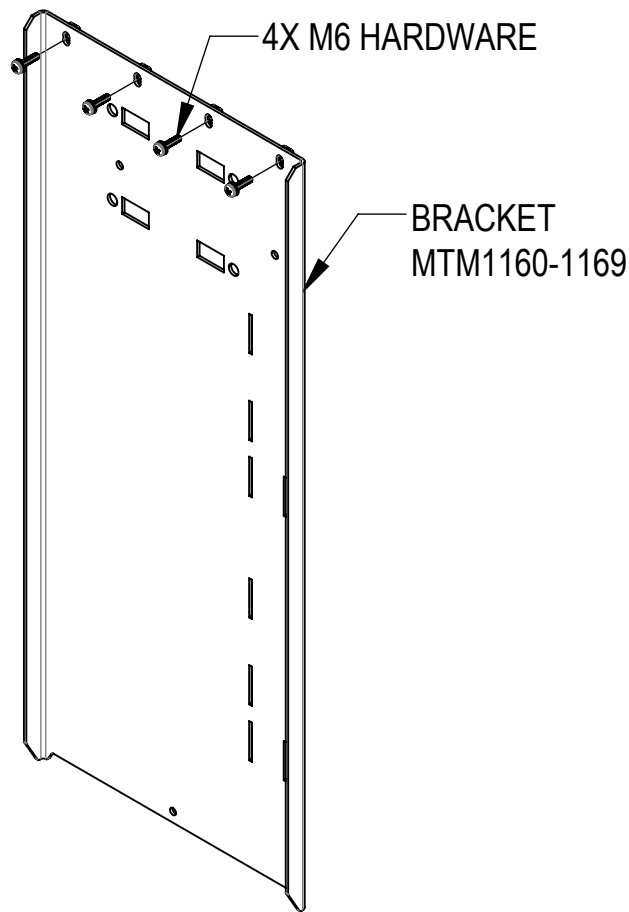
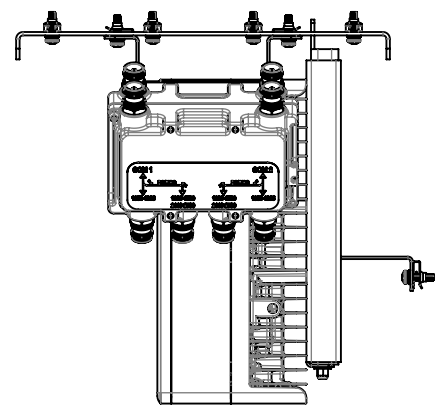
BOM FOR SAM RF4437D + SDX1926Q-43 INSTALLATION

ITEM NO.	PART NUMBER	DESCRIPTION	QTY.
1	MTM1193-1112-CR	BRKT LG SPRT 4 HOOK & HANG PB20GA-0.375	1
2	MTM1160-1142-CR	BRKT SLIDE HANGER SAMSUNG PB20GA	1
4	MTM1160-1162-CR	BRACKET, HANGING RAIL MOVEABLE PB20GA	1
6	MTM1160-1167-CR	BRKT DIPLEX MNTG TOP/ANGLE PB20GA	1
7	MTM1160-1169-CR	BRKT MAIN HK & HANG REAR PLT PB20GA	1
8	460143456	CLIP NUT, M6, 316 SST	4
9	100117-4	FA,SEMS,PH,XRES,M6X25,SST,PASS	10
10	SNYL02	1/4" SS NYLOCK HEX NUT	3
11	SWF-02	FLAT WASHER, 1/4" SS	3
12	100534-214	SCR,HCS,HEX,M6X20,SST,PASS	4
13	100521-86	WSHR,FLAT,M6,6.4X12X1.6,SST,PASS	4
14	100522-104	WSHR,LK,SPLT, M6,SST, PASS	4

S1&S2: SAM RF4437D + SDX1926Q-43 INSTALLATION

EQUIPMENT INSTALLATION SEE SHEET 2
 TORQUE ALL TO SPEC

COMMSCOPE, INC. OF NORTH CAROLINA				
TITLE KIT SAMSUNG INSTALL INTO PB20GA-0.375				
SIZE C	SCALE 1:10	DOCUMENT NO. MTM1193-1101-AMK-S		
DRAWING		VERSION	STATUS	REVISION
DRAWING		00	RE	A
				SHEET 3 OF 8

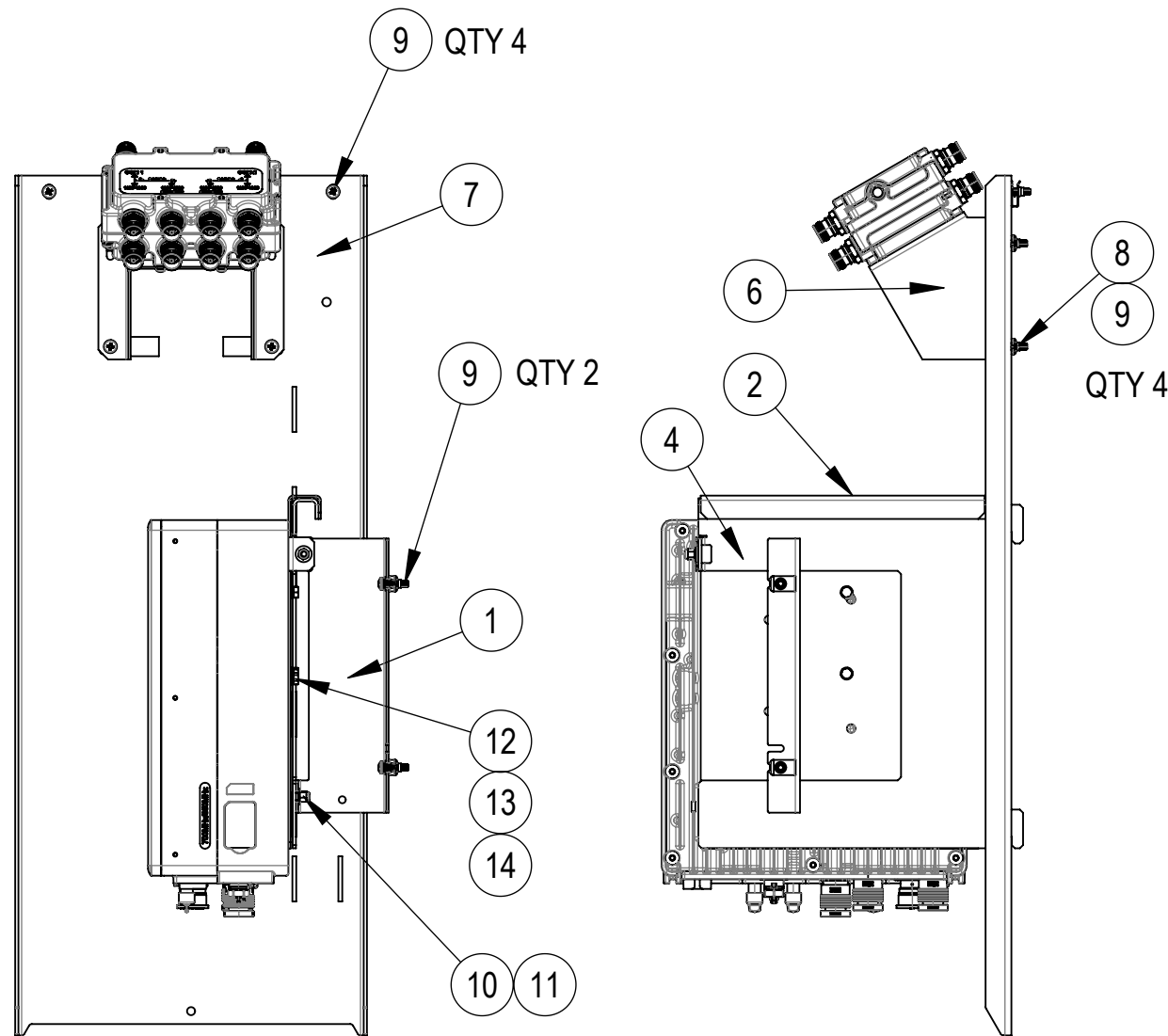


STEP 1 :
MTM1160-1169

1. INSTALL THE MOUNTING BRACKET MTM1160-1169 TO BRACKET OF ASSEMBLY USING 4 SETS OF M6 BOLTS

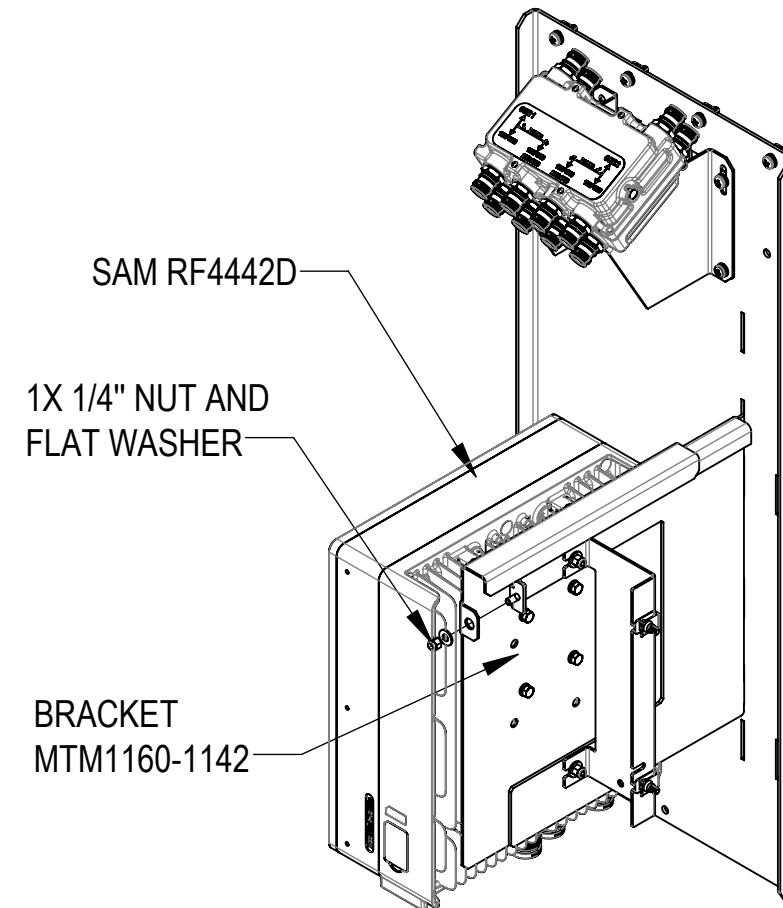
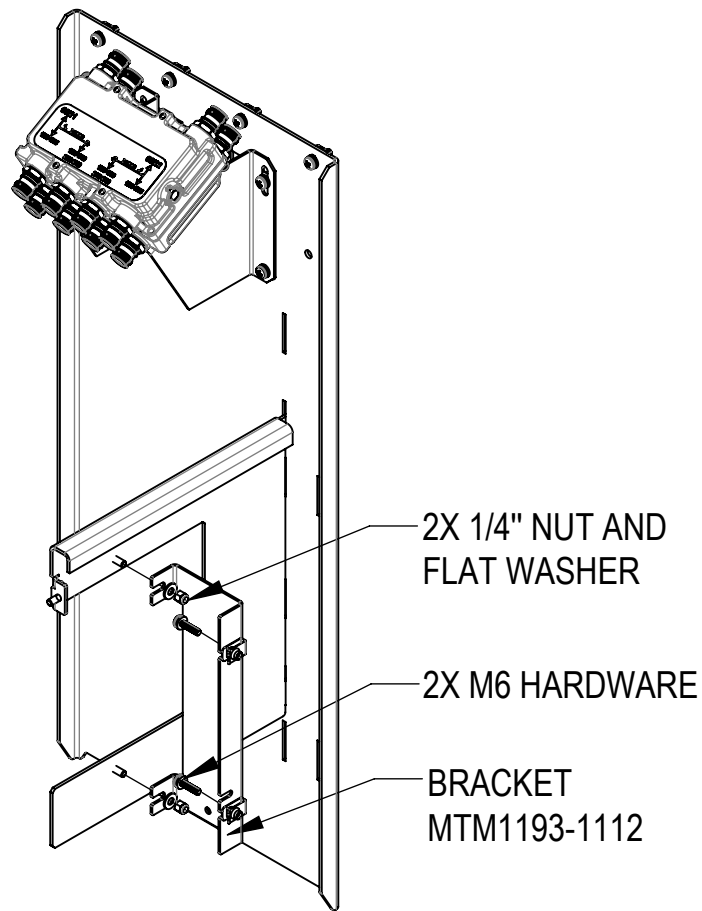
STEP 2 :
MTM1160-1167(SDX1926Q-43) + MTM1160-1162

1. INSTALL M6 CLIP NUTS AS SHOWN
2. INSTALL THE MOUNTING BRACKET MTM1160-1167 TO THE MOUNTING BRACKET MTM1160-1169 USING 4 SETS OF M6 BOLTS.
3. HANG THE MOUNTING BRACKET MTM1160-1162 TO THE 2ND AND 5TH HOLES FROM THE BOTTOM OF THE MOUNTING BRACKET MTM1160-1169



STEP 3 :
MTM1193-1112

1. INSTALL ONE SIDE OF THE MOUNTING BRACKET MTM1193-1112 TO BRACKET OF ASSEMBLY USING 2 SETS OF M6 BOLTS AND THE OTHER SIDE(AVOIDED SLOT) TO THE MOUNTING BRACKET MTM1160-1162 USING 2 SETS OF 1/4" NUTS



STEP 4 :
MTM1160-1142(SAM RF4442D)

1. HANG THE MOUNTING BRACKET MTM1160-1142 TO THE MOUNTING BRACKET MTM1160-1162 AND LOCK THE SIDE USING 1 SET OF 1/4" NUTS

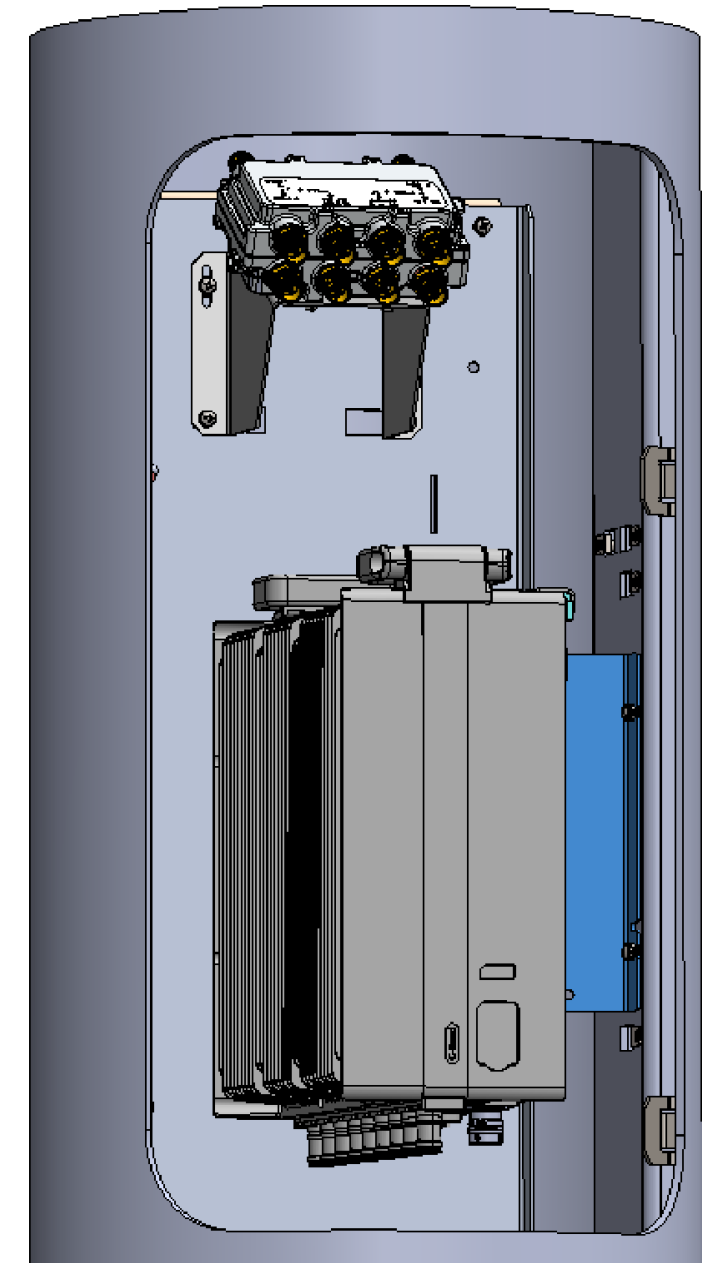
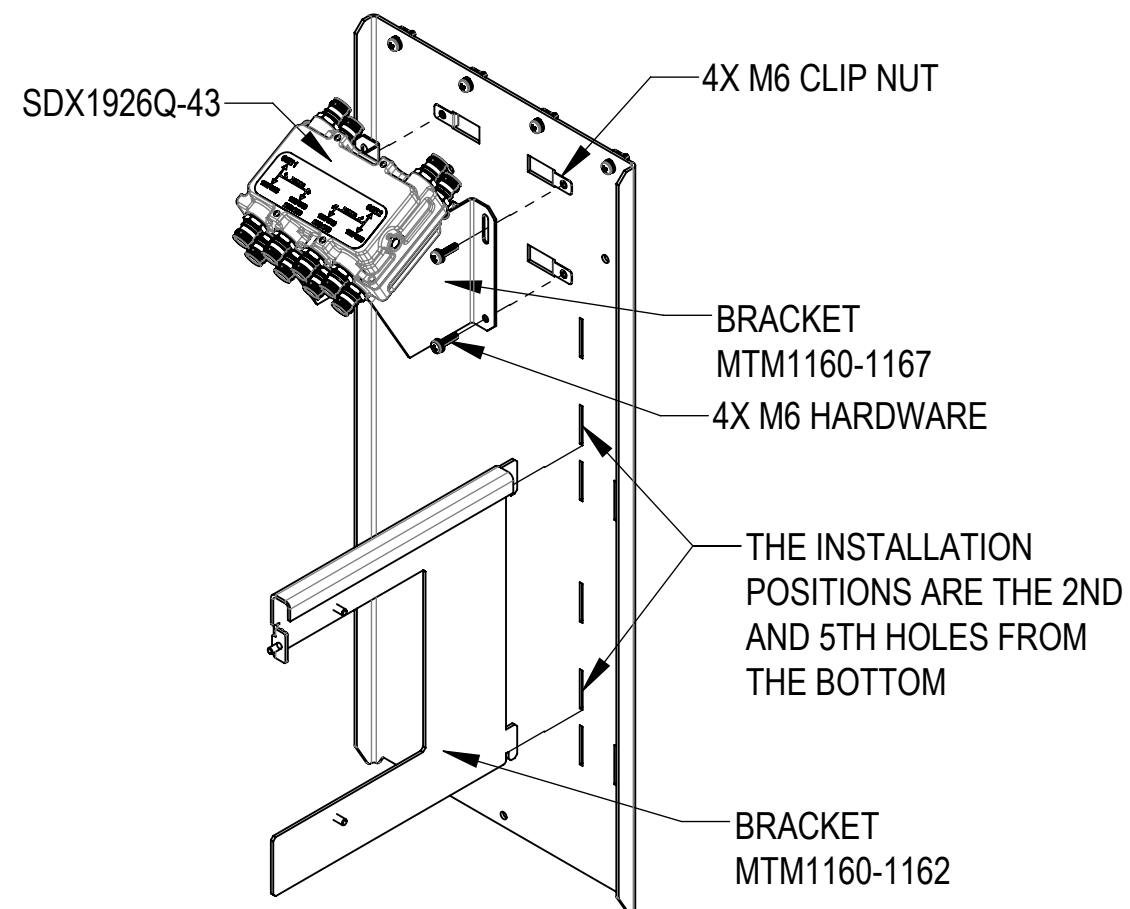
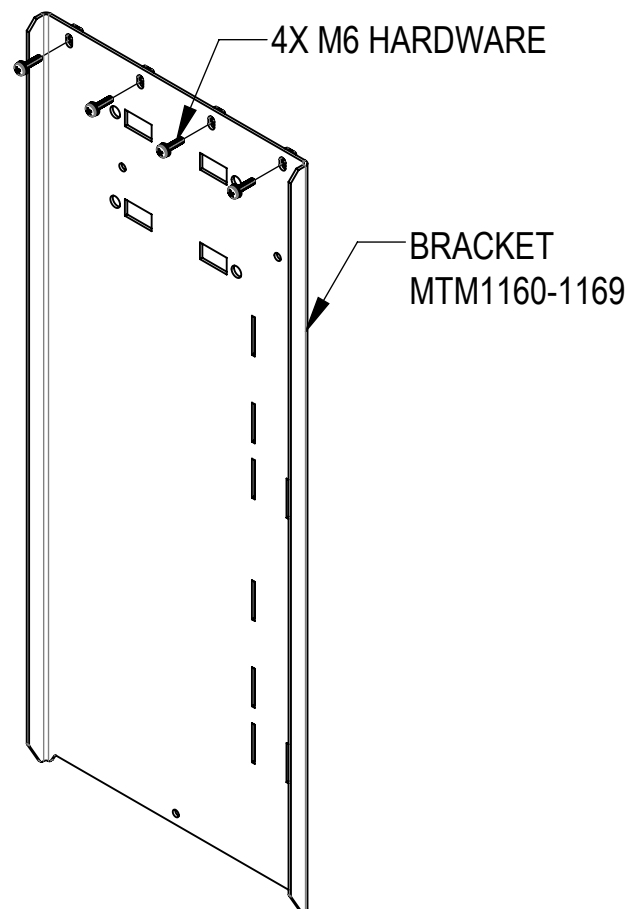
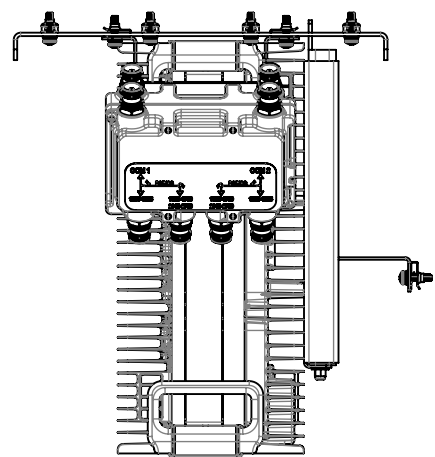
BOM FOR SAM RF4442D + SDX1926Q-43 INSTALLATION

ITEM NO.	PART NUMBER	DESCRIPTION	QTY.
1	MTM1193-1112-CR	BRKT LG SPRT 4 HOOK & HANG PB20GA-0.375	1
2	MTM1160-1142-CR	BRKT SLIDE HANGER SAMSUNG PB20GA	1
4	MTM1160-1162-CR	BRACKET, HANGING RAIL MOVEABLE PB20GA	1
6	MTM1160-1167-CR	BRKT DIPLEX MNTG TOP/ANGLE PB20GA	1
7	MTM1160-1169-CR	BRKT MAIN HK & HANG REAR PLT PB20GA	1
8	460143456	CLIP NUT, M6, 316 SST	4
9	100117-4	FA,SEMS,PH,XRES,M6X25,SST,PASS	10
10	SNYL02	1/4" SS NYLOCK HEX NUT	3
11	SWF-02	FLAT WASHER, 1/4" SS	3
12	100534-214	SCR,HCS,HEX,M6X20,SST,PASS	4
13	100521-86	WSHR,FLAT,M6,6.4X12X1.6,SST,PASS	4
14	100522-104	WSHR,LK,SPLT, M6,SST, PASS	4

S3&S4: SAM RF4442D + SDX1926Q-43 INSTALLATION

EQUIPMENT INSTALLATION SEE SHEET 2
TORQUE ALL TO SPEC

COMMSCOPE, INC. OF NORTH CAROLINA				
TITLE KIT SAMSUNG INSTALL INTO PB20GA-0.375				
SIZE C	SCALE 1:10	DOCUMENT NO. MTM1193-1101-AMK-S		
DRAWING		VERSION	STATUS	REVISION
		00	RE	A
				SHEET 4 OF 8



STEP 1 :

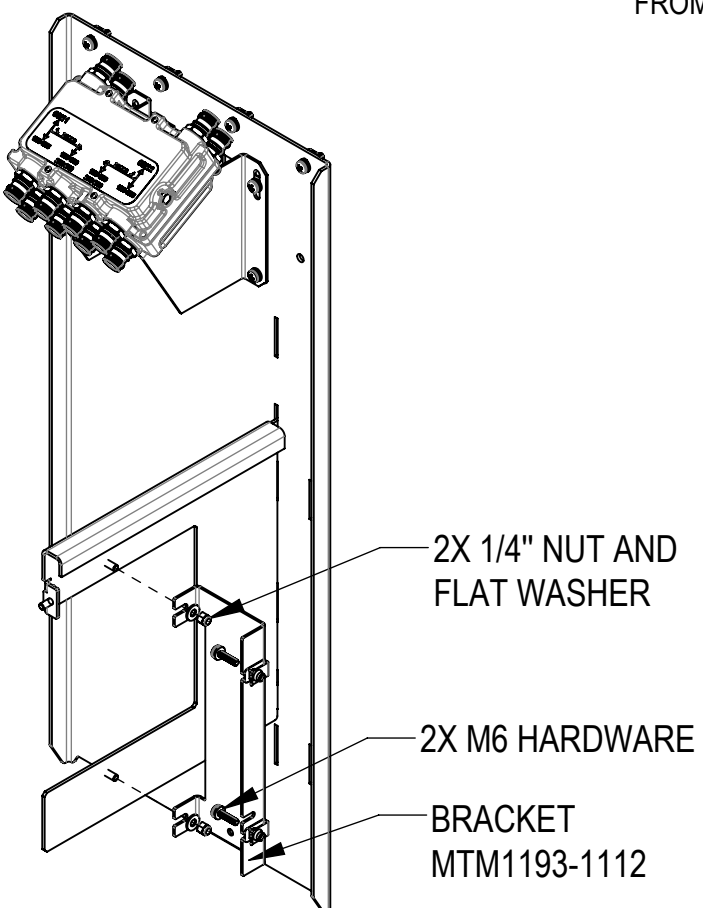
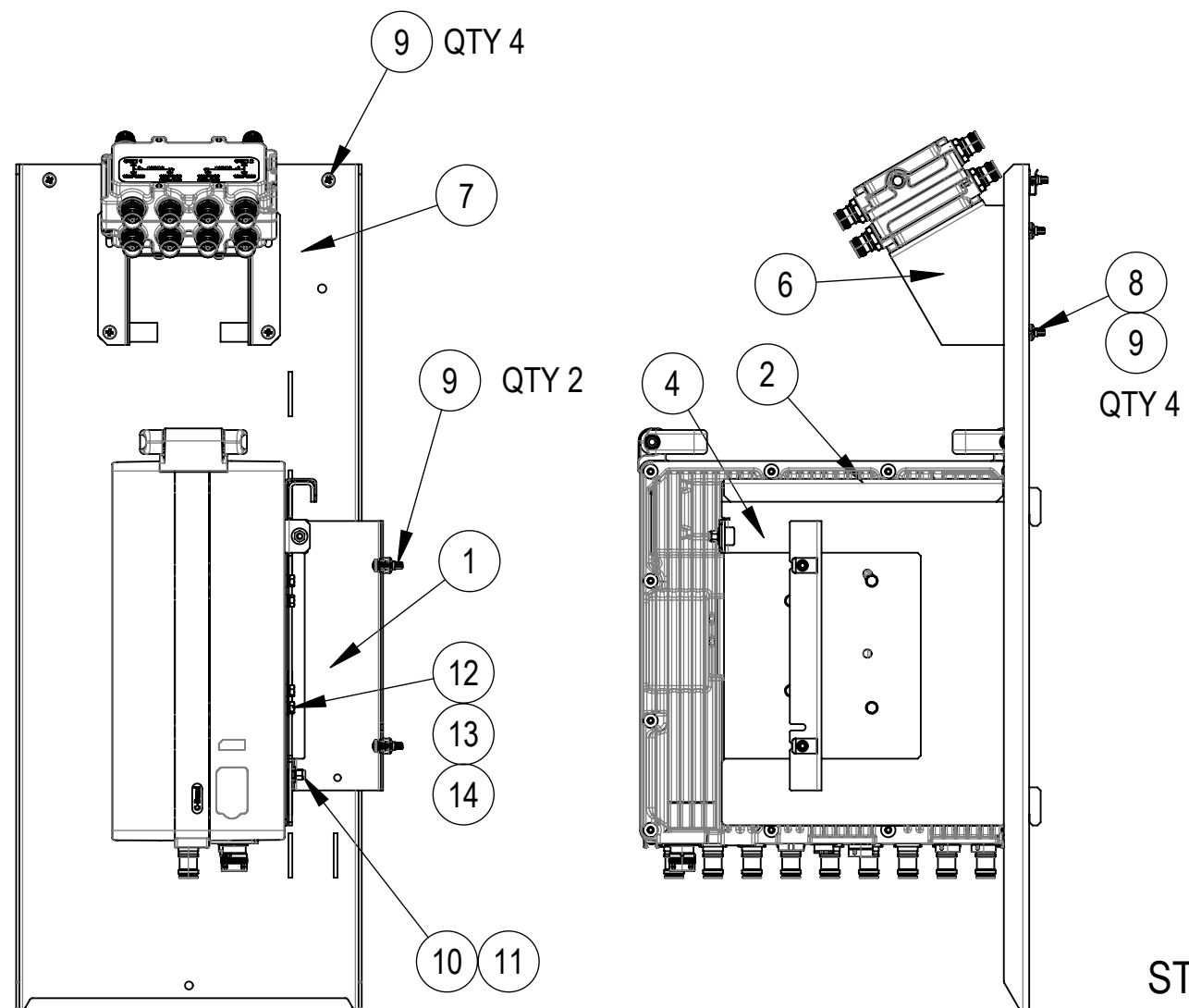
MTM1160-1169

1. INSTALL THE MOUNTING BRACKET MTM1160-1169 TO BRACKET OF ASSEMBLY USING 4 SETS OF M6 BOLTS

STEP 2 :

MTM1160-1167(SDX1926Q-43) + MTM1160-1162

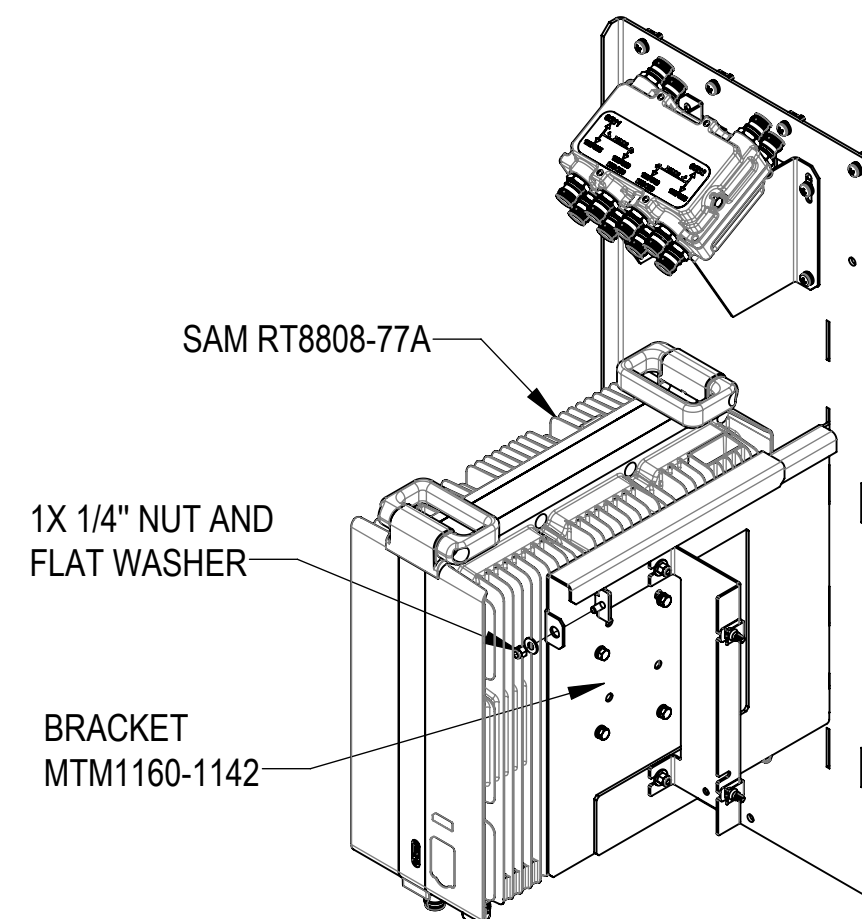
1. INSTALL M6 CLIP NUTS AS SHOWN
2. INSTALL THE MOUNTING BRACKET MTM1160-1167 TO THE MOUNTING BRACKET MTM1160-1169 USING 4 SETS OF M6 BOLTS.
3. HANG THE MOUNTING BRACKET MTM1160-1162 TO THE 2ND AND 5TH HOLES FROM THE BOTTOM OF THE MOUNTING BRACKET MTM1160-1169



STEP 3 :

MTM1193-1112

1. INSTALL ONE SIDE OF THE MOUNTING BRACKET MTM1193-1112 TO BRACKET OF ASSEMBLY USING 2 SETS OF M6 BOLTS AND THE OTHER SIDE(AVOIDED SLOT) TO THE MOUNTING BRACKET MTM1160-1162 USING 2 SETS OF 1/4\"/>



STEP 4 :

MTM1160-1142(SAM RT8808-77A)

1. HANG THE MOUNTING BRACKET MTM1160-1142 TO THE MOUNTING BRACKET MTM1160-1162 AND LOCK THE SIDE USING 1 SET OF 1/4\"/>

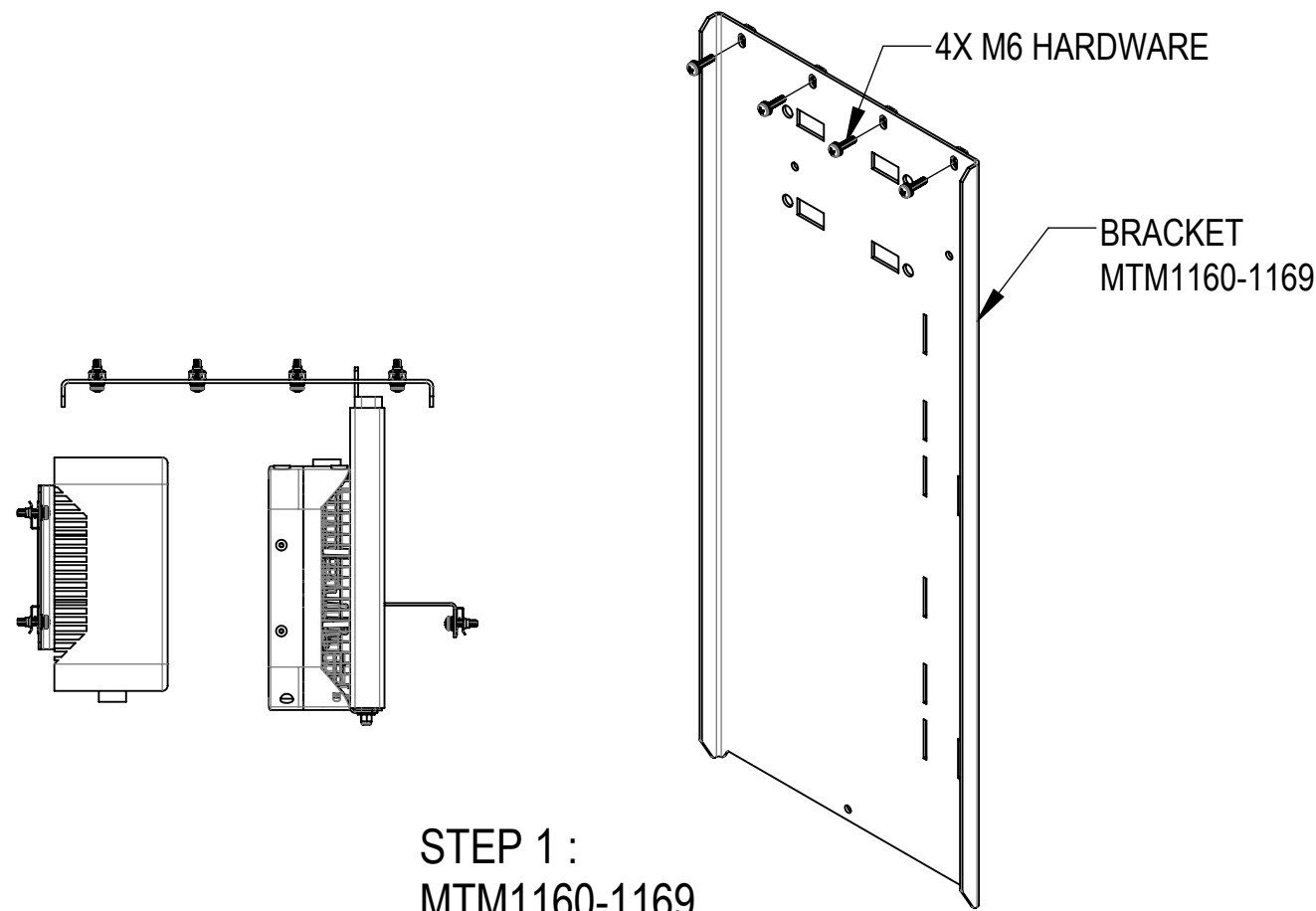
BOM FOR SAM RT8808-77A + SDX1926Q-43 INSTALLATION

ITEM NO.	PART NUMBER	DESCRIPTION	QTY.
1	MTM1193-1112-CR	BRKT LG SPRT 4 HOOK & HANG PB20GA-0.375	1
2	MTM1160-1142-CR	BRKT SLIDE HANGER SAMSUNG PB20GA	1
4	MTM1160-1162-CR	BRACKET, HANGING RAIL MOVEABLE PB20GA	1
6	MTM1160-1167-CR	BRKT DIPLEX MNTG TOP/ANGLE PB20GA	1
7	MTM1160-1169-CR	BRKT MAIN HK & HANG REAR PLT PB20GA	1
8	460143456	CLIP NUT, M6, 316 SST	4
9	100117-4	FA,SEMS,PH,XRES,M6X25,SST,PASS	10
10	SNYL02	1/4\"/>	
11	SWF-02	FLAT WASHER, 1/4\"/>	
12	100534-214	SCR,HCS,HEX,M6X20,SST,PASS	4
13	100521-86	WSHR,FLAT,M6,6.4X12X1.6,SST,PASS	4
14	100522-104	WSHR,LK,SPLT, M6,SST, PASS	4

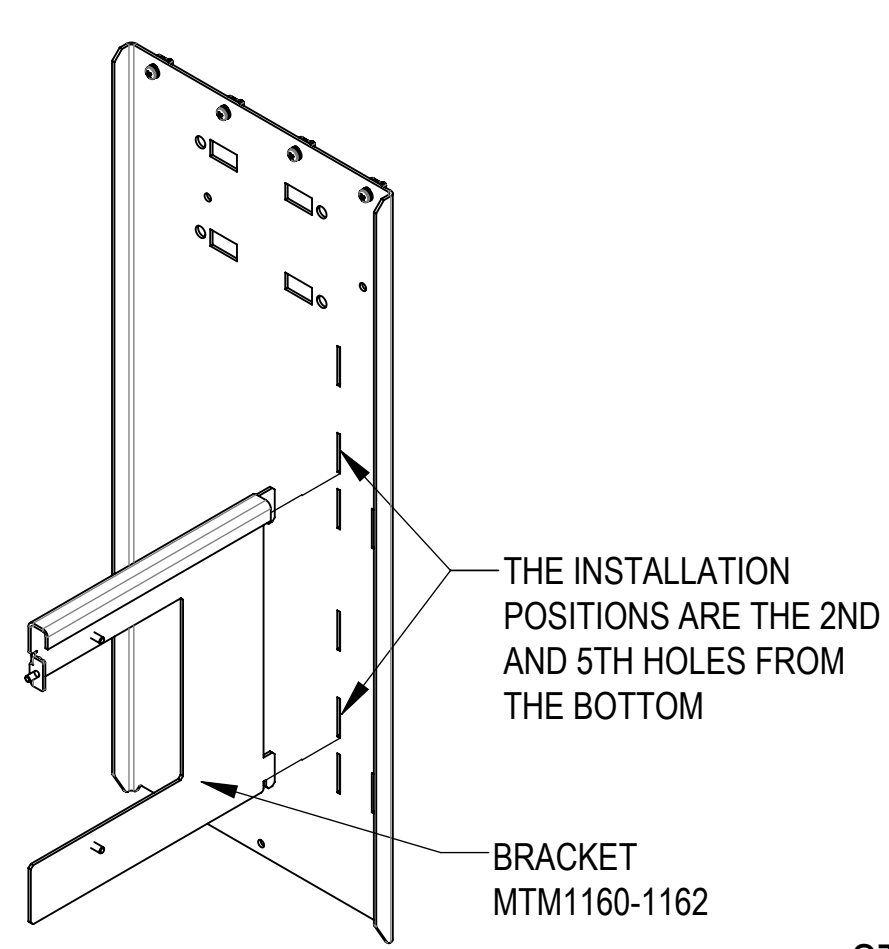
S5&6: SAM RT8808-77A + SDX1926Q-43 INSTALLATION

EQUIPMENT INSTALLATION SEE SHEET 2
TORQUE ALL TO SPEC

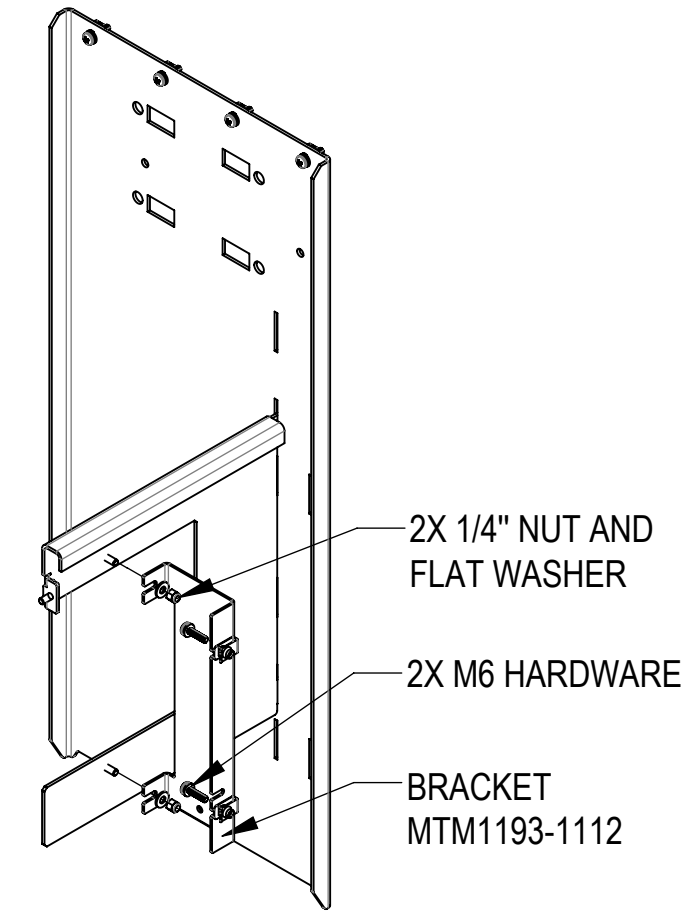
COMMSCOPE, INC. OF NORTH CAROLINA				
TITLE KIT SAMSUNG INSTALL INTO PB20GA-0.375				
SIZE C	SCALE 1:10	DOCUMENT NO. MTM1193-1101-AMK-S		
DRAWING		VERSION	STATUS	REVISION
		00	RE	A
				SHEET 5 OF 8



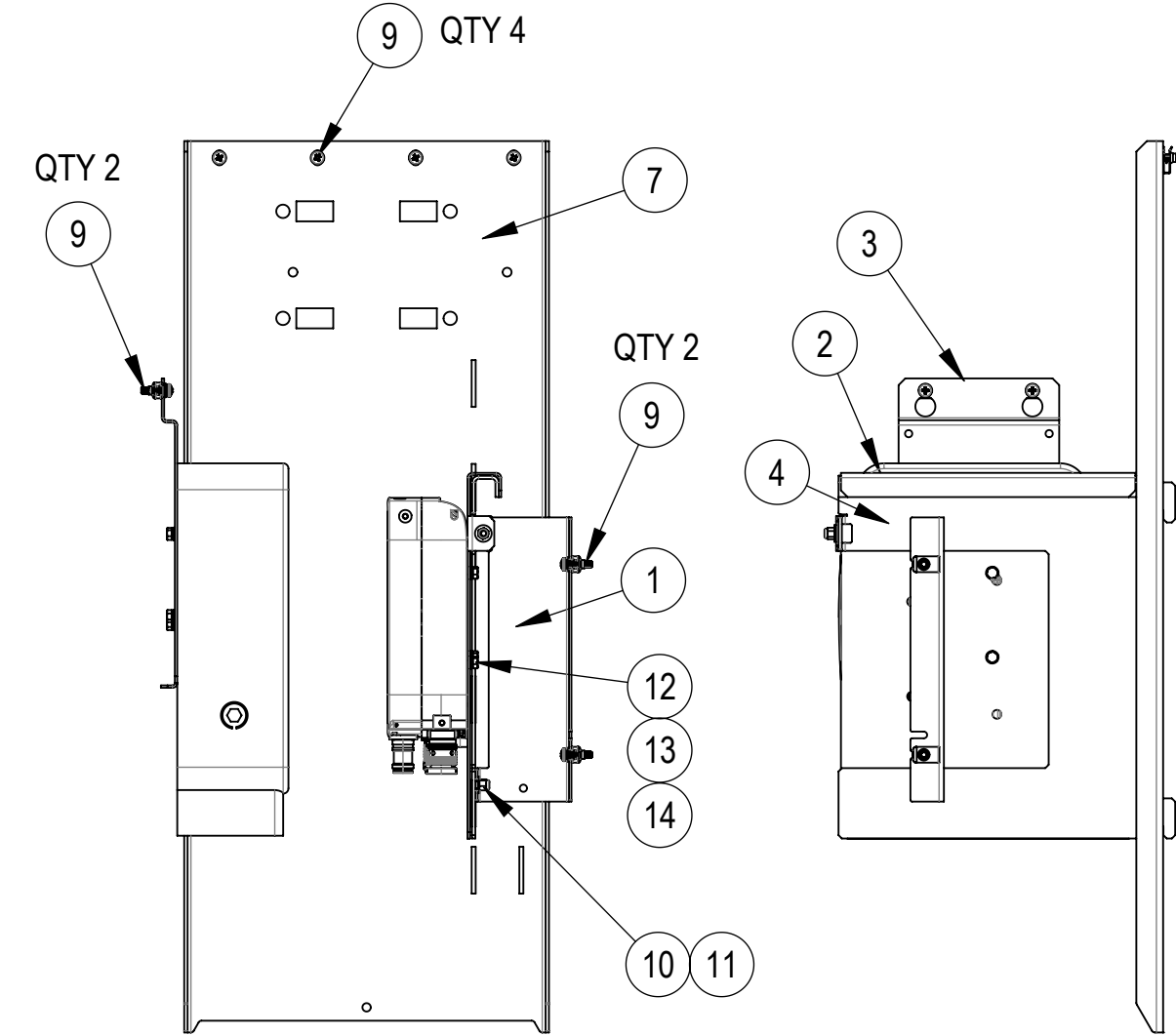
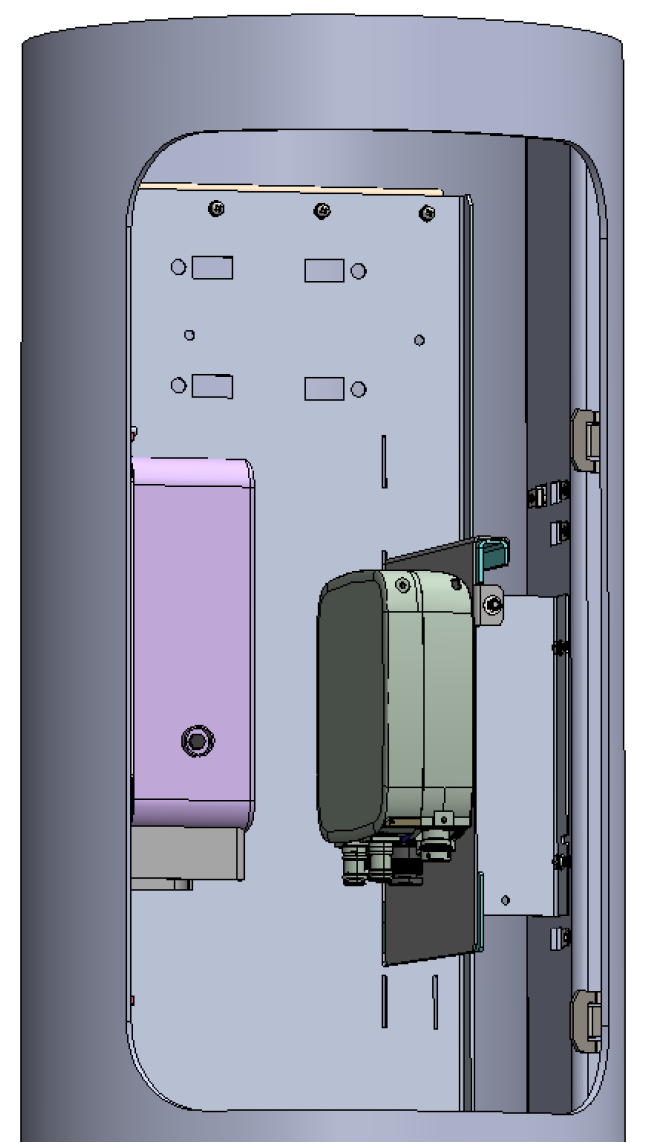
STEP 1 :
MTM1160-1169
1. INSTALL THE MOUNTING BRACKET MTM1160-1169 TO BRACKET OF ASSEMBLY USING 4 SETS OF M6 BOLTS



STEP 2 :
MTM1160-1162
1. HANG THE MOUNTING BRACKET MTM1160-1162 TO THE 2ND AND 5TH HOLES FROM THE BOTTOM OF THE MOUNTING BRACKET MTM1160-1169

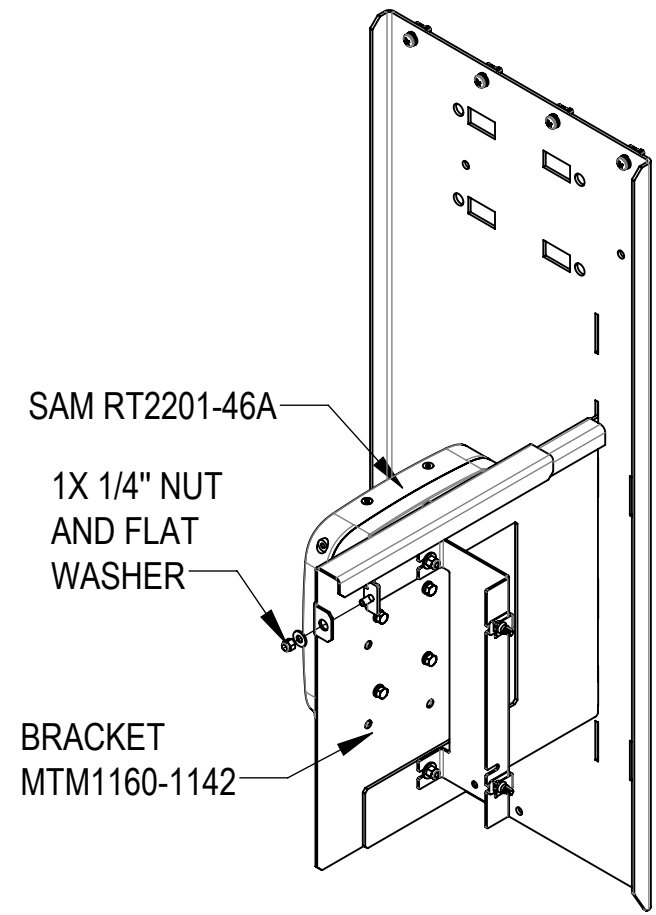


STEP 3 :
MTM1193-1112
1. INSTALL ONE SIDE OF THE MOUNTING BRACKET MTM1193-1112 TO BRACKET OF ASSEMBLY USING 2 SETS OF M6 BOLTS AND THE OTHER SIDE(AVOIDED SLOT) TO THE MOUNTING BRACKET MTM1160-1162 USING 2 SETS OF 1/4" NUTS

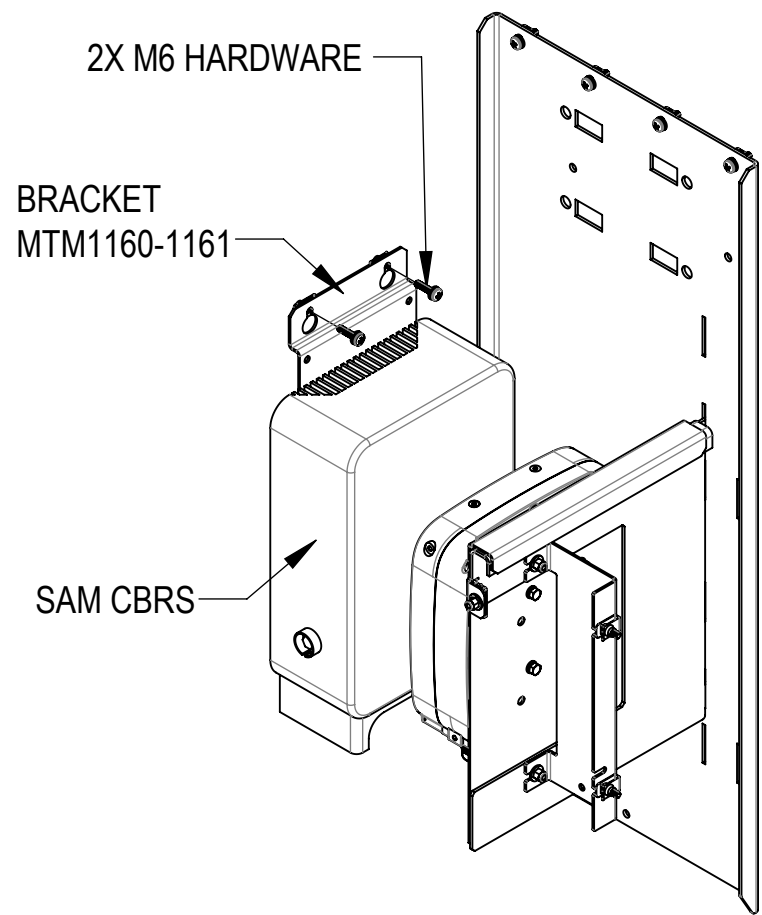


BOM FOR SAM RT2201-46A + SAM CBRS INSTALLATION

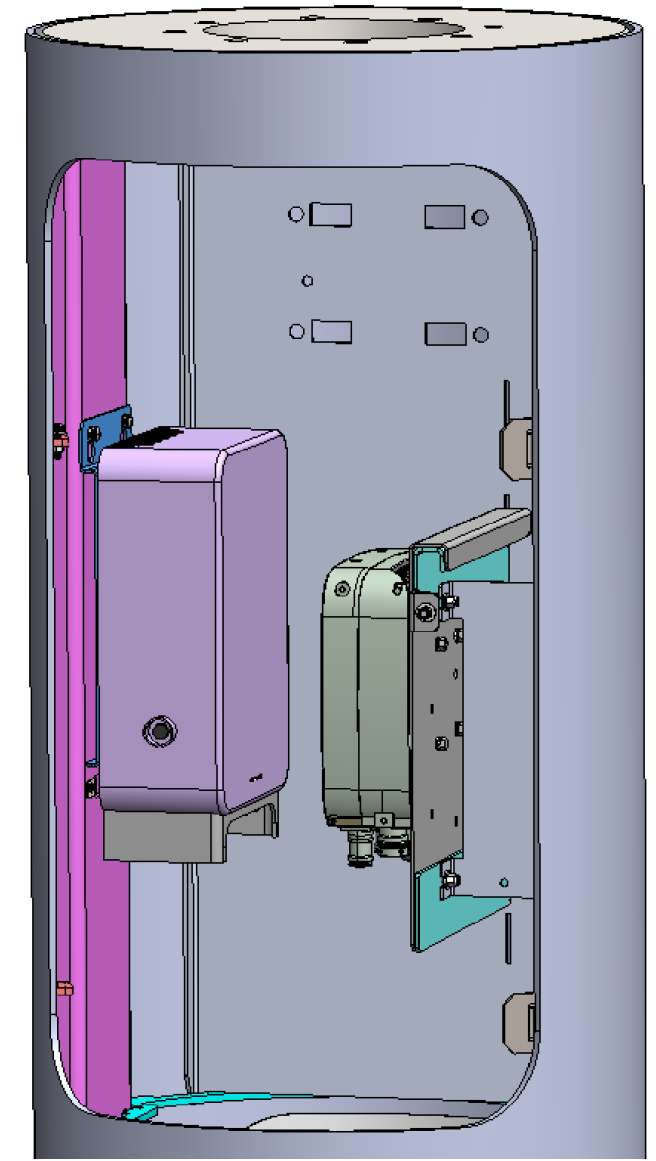
ITEM NO.	PART NUMBER	DESCRIPTION	QTY.
1	MTM1193-1112-CR	BRKT LG SPRT 4 HOOK & HANG PB20GA-0.375	1
2	MTM1160-1142-CR	BRKT SLIDE HANGER SAMSUNG PB20GA	1
3	MTM1160-1161-CR	BRACKET AWHHF HANGER RIGHT PB20GA	1
4	MTM1160-1162-CR	BRACKET, HANGING RAIL MOVEABLE PB20GA	1
7	MTM1160-1169-CR	BRKT MAIN HK & HANG REAR PLT PB20GA	1
9	100117-4	FA,SEMS,PH,XRES,M6X25,SST,PASS	8
10	SNYL02	1/4" SS NYLOCK HEX NUT	3
11	SWF-02	FLAT WASHER, 1/4" SS	3
12	100534-214	SCR,HCS,HEX,M6X20,SST,PASS	8
13	100521-86	WSHR,FLAT,M6,6.4X12X1.6,SST,PASS	8
14	100522-104	WSHR,LK,SPLT, M6,SST, PASS	8



STEP 4 :
MTM1160-1142(SAM RT2201-46A)
1. HANG THE MOUNTING BRACKET MTM1160-1142 TO THE MOUNTING BRACKET MTM1160-1162 AND LOCK THE SIDE USING 1 SET OF 1/4" NUTS



STEP 5 :
MTM1160-1161(SAM CBRS)
1. INSTALL THE MOUNTING BRACKET MTM1160-1161 TO BRACKET OF ASSEMBLY USING 2 SETS OF M6 BOLTS



S7: SAM RT2201-46A + SAM CBRS INSTALLATION

EQUIPMENT INSTALLATION SEE SHEET 2
TORQUE ALL TO SPEC

COMMScope, INC. OF NORTH CAROLINA				
TITLE KIT SAMSUNG INSTALL INTO PB20GA-0.375				
SIZE C	SCALE 1:10	DOCUMENT NO. MTM1193-1101-AMK-S		
		DRAWING		SHEET
		VERSION 00	STATUS RE	REVISION A
				6 OF 8

D

D

C

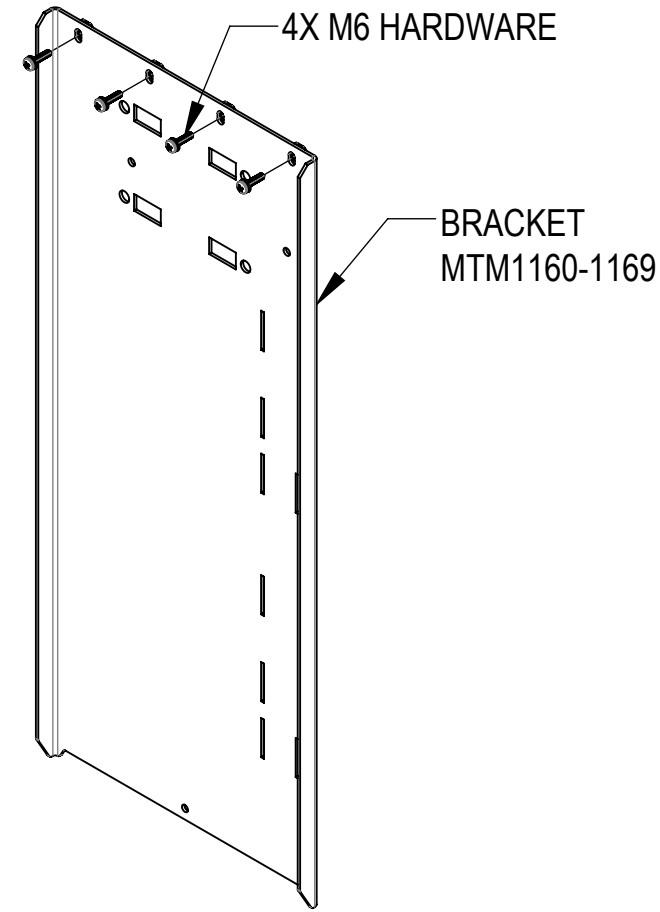
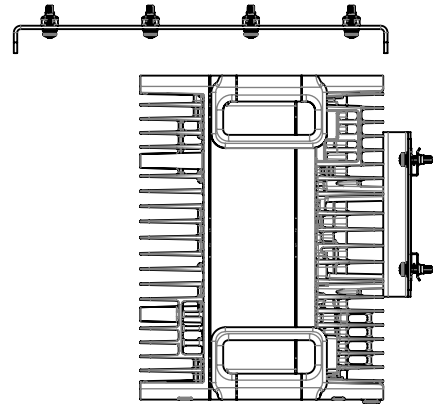
C

B

B

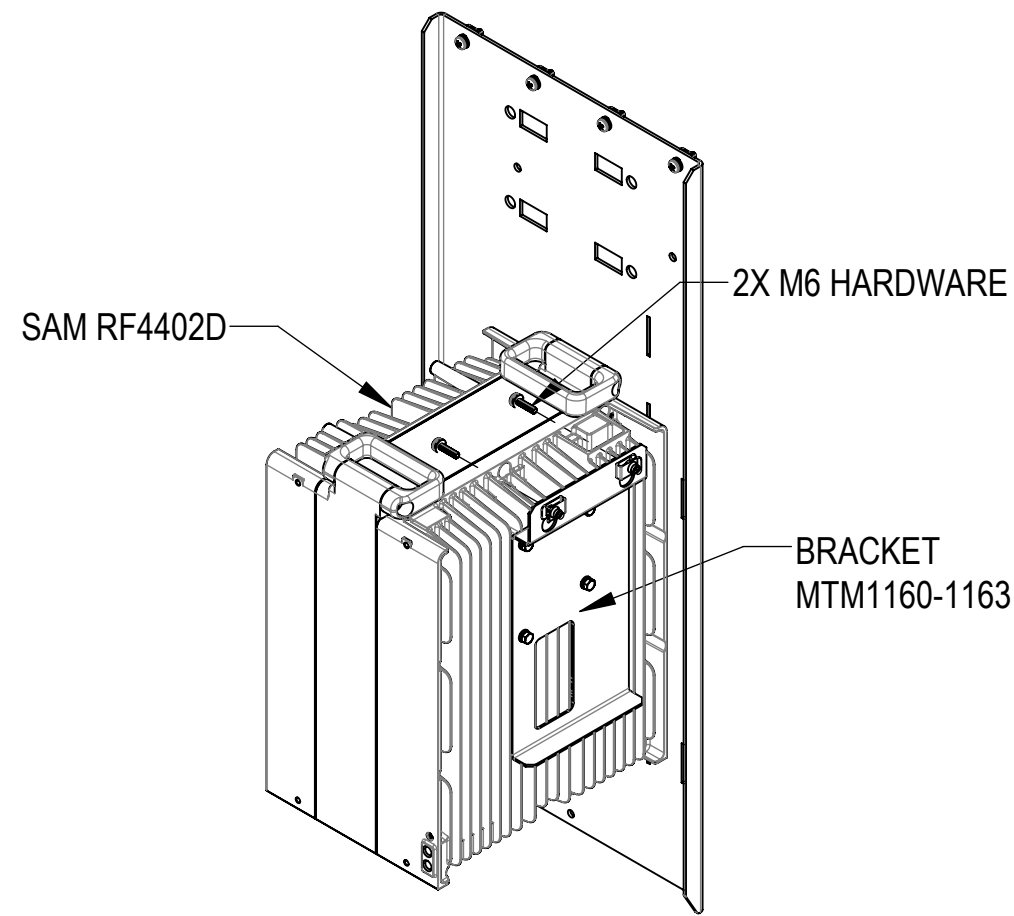
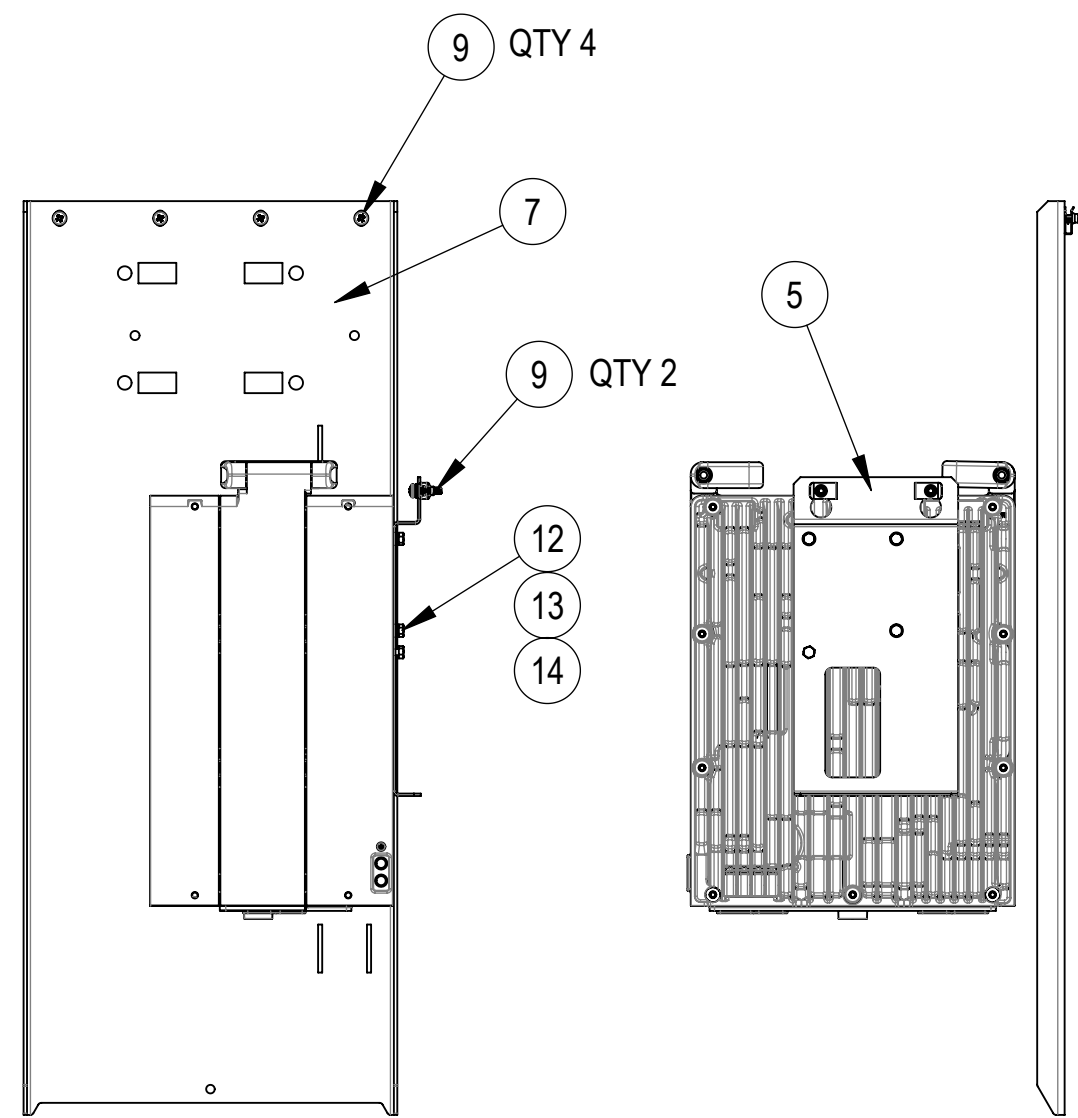
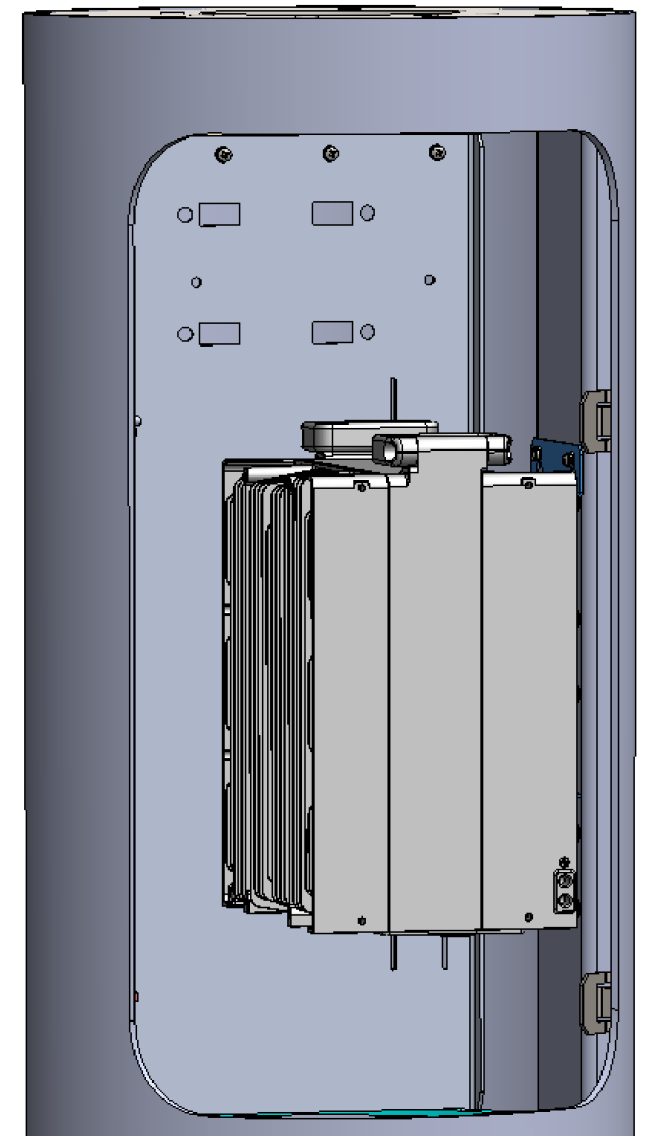
A

A



STEP 1 :
MTM1160-1169

1. INSTALL THE MOUNTING BRACKET MTM1160-1169 TO BRACKET OF ASSEMBLY USING 4 SETS OF M6 BOLTS



STEP 2 :
MTM1160-1163(SAM RF402D)

1. INSTALL THE MOUNTING BRACKET MTM1160-1163 TO BRACKET OF ASSEMBLY USING 2 SETS OF M6 BOLTS

BOM FOR SAM RF4402D INSTALLATION

ITEM NO.	PART NUMBER	DESCRIPTION	QTY.
5	MTM1160-1163-CR	BRACKET SAM 8 & 9 RF4402 RHT PB20GA	1
7	MTM1160-1169-CR	BRKT MAIN HK & HANG REAR PLT PB20GA	1
9	100117-4	FA,SEMS,PH,XRES,M6X25,SST,PASS	6
12	100534-214	SCR,HCS,HEX,M6X20,SST,PASS	4
13	100521-86	WSHR,FLAT,M6,6.4X12X1.6,SST,PASS	4
14	100522-104	WSHR,LK,SPLT, M6,SST, PASS	4

S8: SAM RF4402D INSTALLATION

EQUIPMENT INSTALLATION SEE SHEET 2
TORQUE ALL TO SPEC

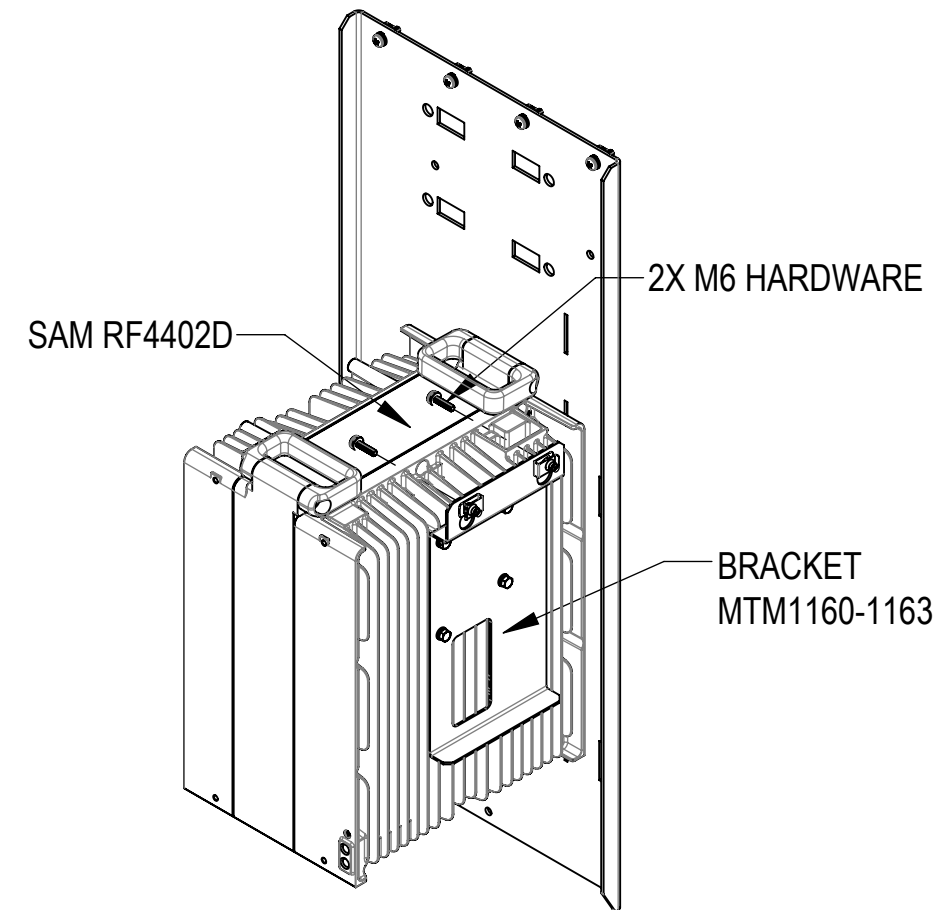
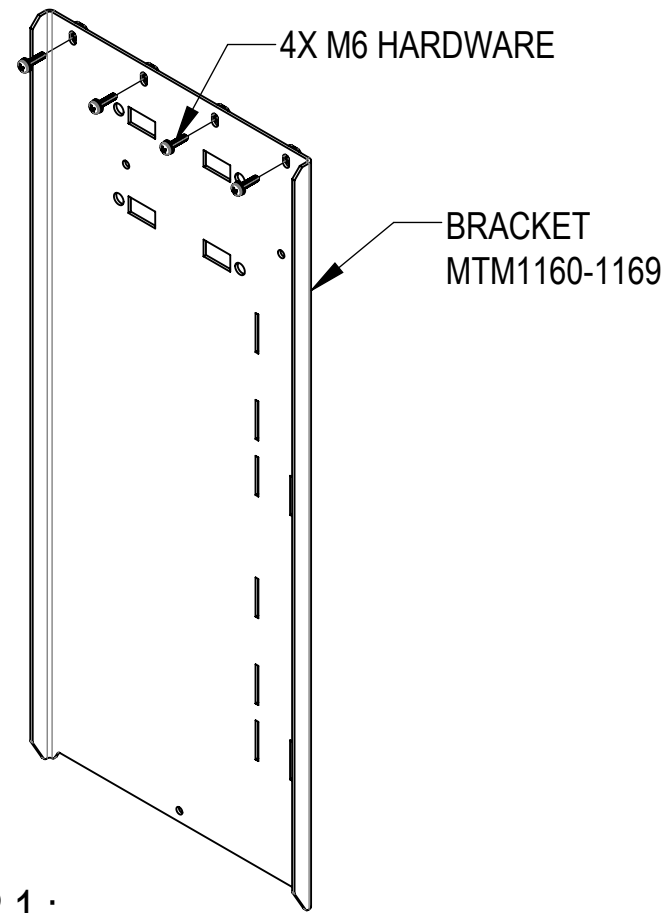
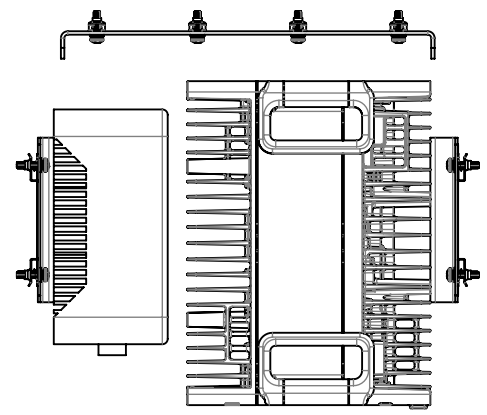
COMMScope, INC. OF NORTH CAROLINA				
TITLE KIT SAMSUNG INSTALL INTO PB20GA-0.375				
SIZE C	SCALE 1:10	DOCUMENT NO. MTM1193-1101-AMK-S		
DRAWING		VERSION	STATUS	REVISION
		00	RE	A
				SHEET 7 OF 8

4

3

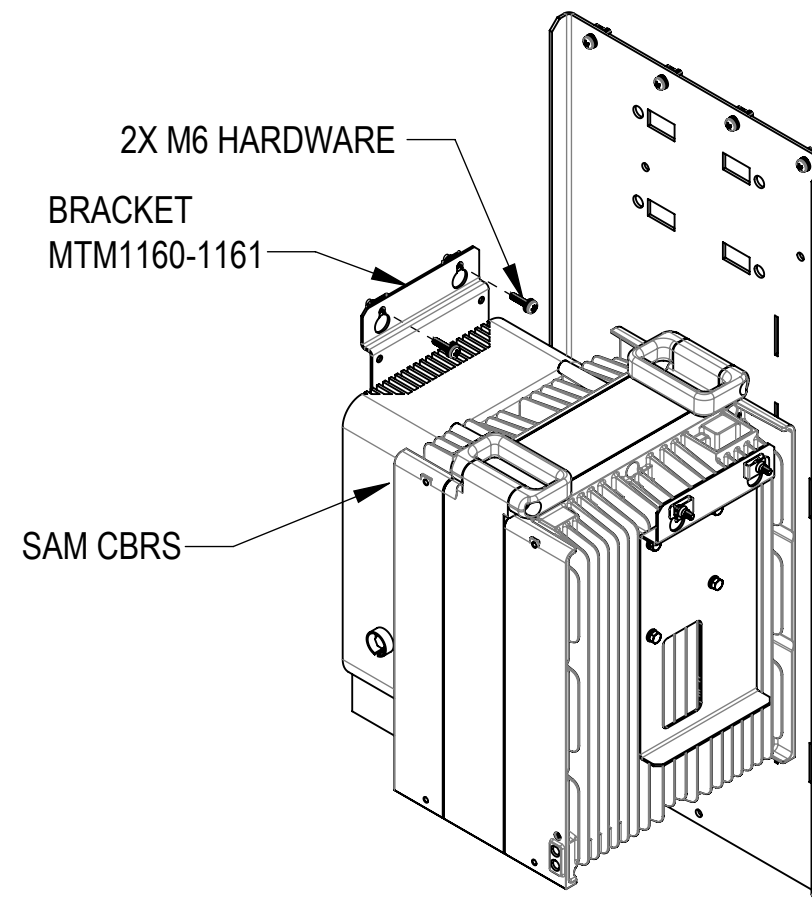
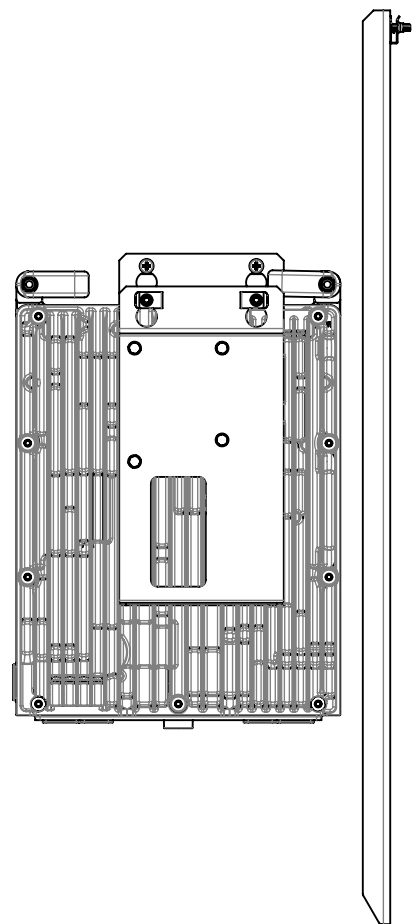
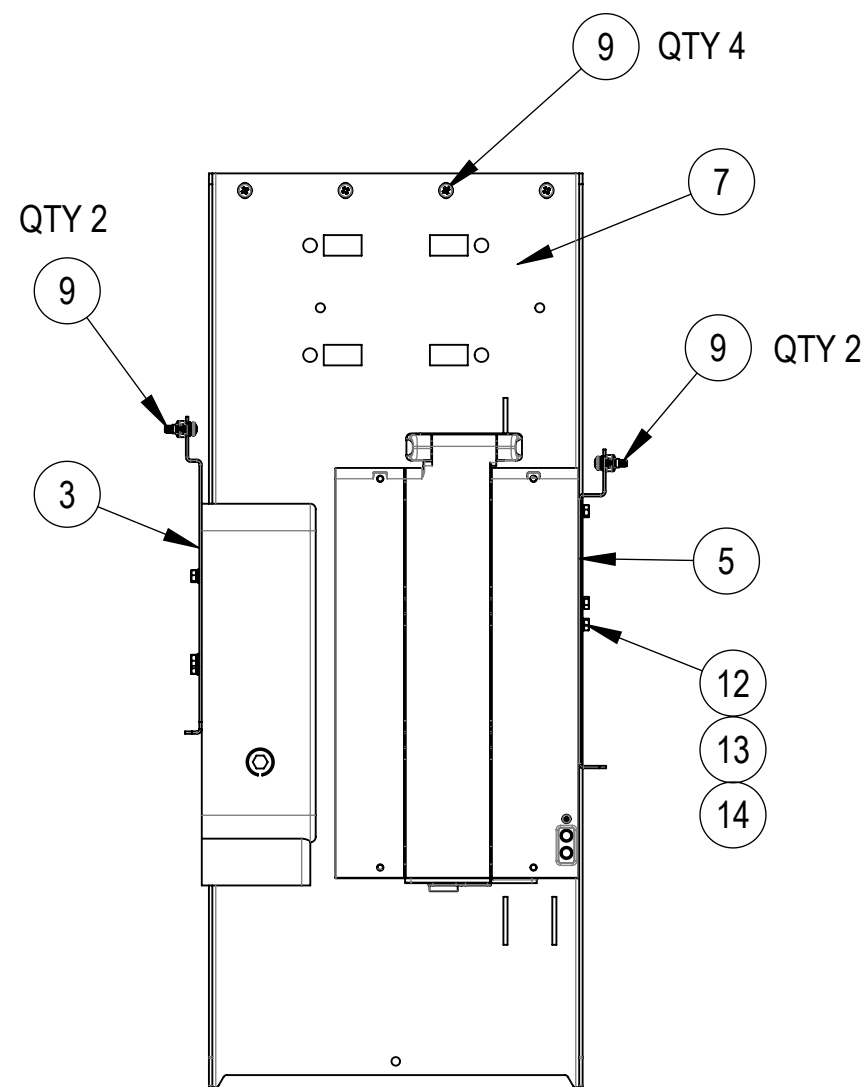
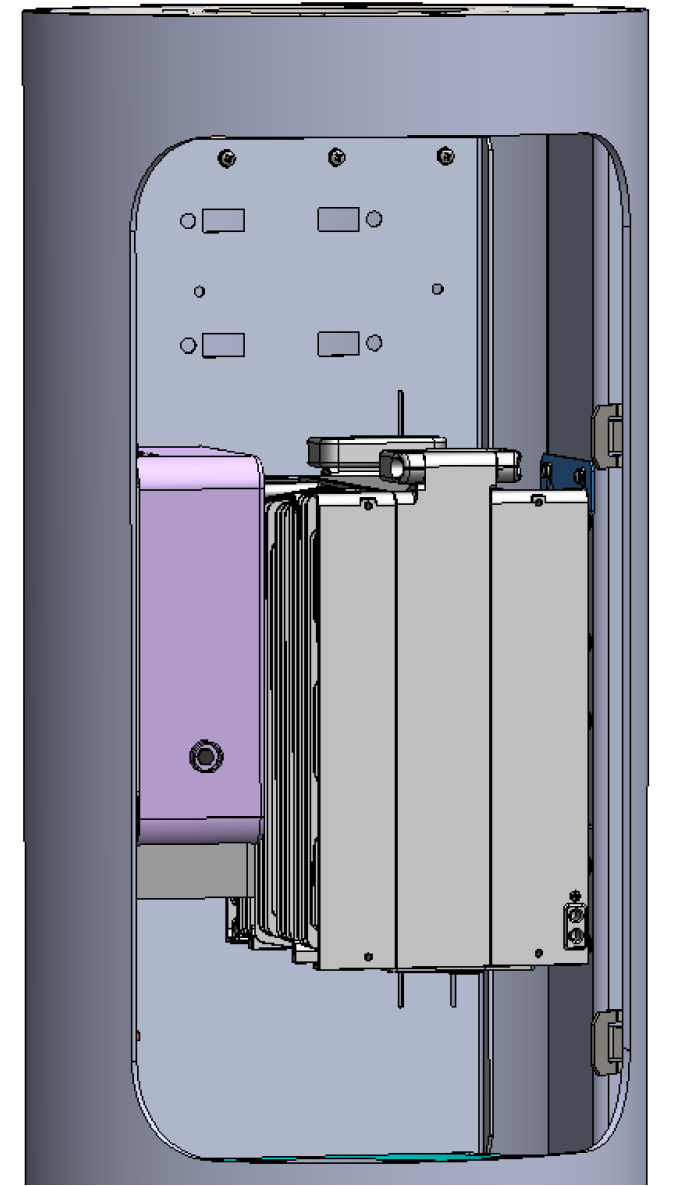
2

1

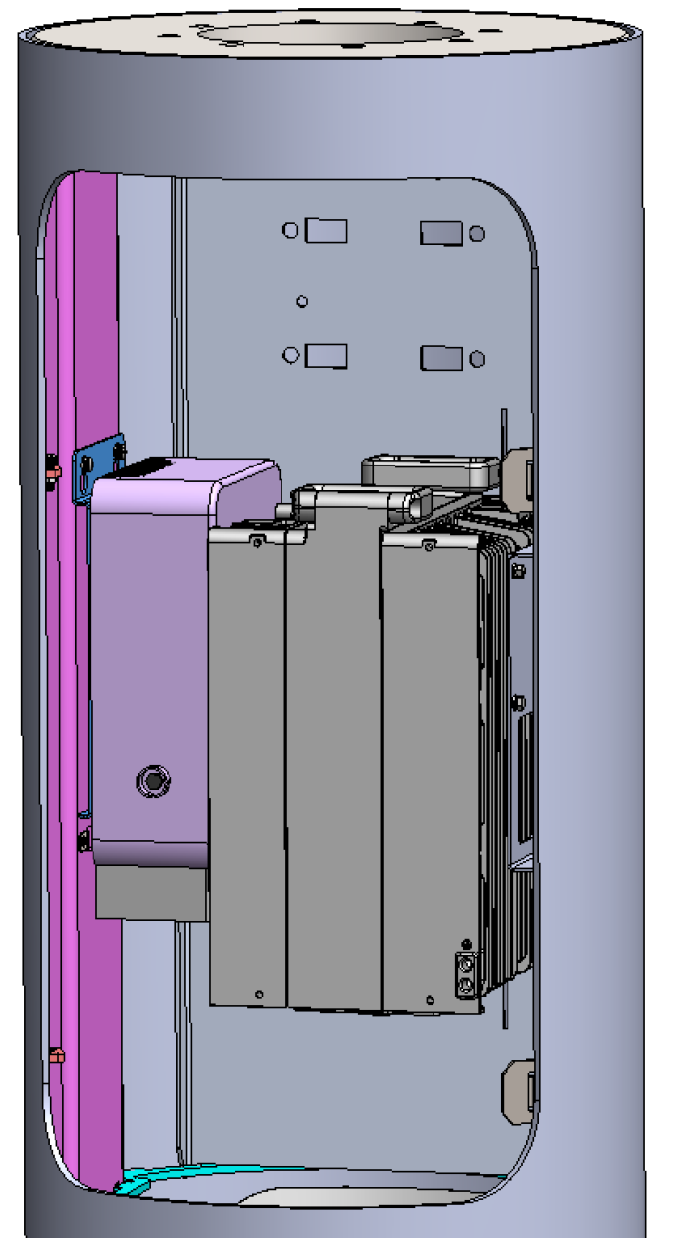


STEP 1 :
MTM1160-1169
 1. INSTALL THE MOUNTING BRACKET MTM1160-1169 TO BRACKET OF ASSEMBLY USING 4 SETS OF M6 BOLTS

STEP 2 :
MTM1160-1163(SAM RF402D)
 1. INSTALL THE MOUNTING BRACKET MTM1160-1163 TO BRACKET OF ASSEMBLY USING 2 SETS OF M6 BOLTS



STEP 3 :
MTM1160-1161(SAM CBRS)
 1. INSTALL THE MOUNTING BRACKET MTM1160-1161 TO BRACKET OF ASSEMBLY USING 2 SETS OF M6 BOLTS



BOM FOR SAM RF4402D + SAM CBRS INSTALLATION

ITEM NO.	PART NUMBER	DESCRIPTION	QTY.
3	MTM1160-1161-CR	BRACKET AWHHF HANGER RIGHT PB20GA	1
5	MTM1160-1163-CR	BRACKET SAM 8 & 9 RF4402 RHT PB20GA	1
7	MTM1160-1169-CR	BRKT MAIN HK & HANG REAR PLT PB20GA	1
9	100117-4	FA,SEMS,PH,XRES,M6X25,SST,PASS	8
12	100534-214	SCR,HCS,HEX,M6X20,SST,PASS	8
13	100521-86	WSHR,FLAT,M6,6.4X12X1.6,SST,PASS	8
14	100522-104	WSHR,LK,SPLT, M6,SST, PASS	8

S9: SAM RF4402D + SAM CBRS INSTALLATION

EQUIPMENT INSTALLATION SEE SHEET 2
 TORQUE ALL TO SPEC

COMMSCOPE, INC. OF NORTH CAROLINA

TITLE
 KIT SAMSUNG INSTALL INTO PB20GA-0.375

SIZE C	SCALE 1:10	DOCUMENT NO. MTM1193-1101-AMK-S		
		DRAWING		
		VERSION 00	STATUS RE	REVISION A
				SHEET 8 OF 8