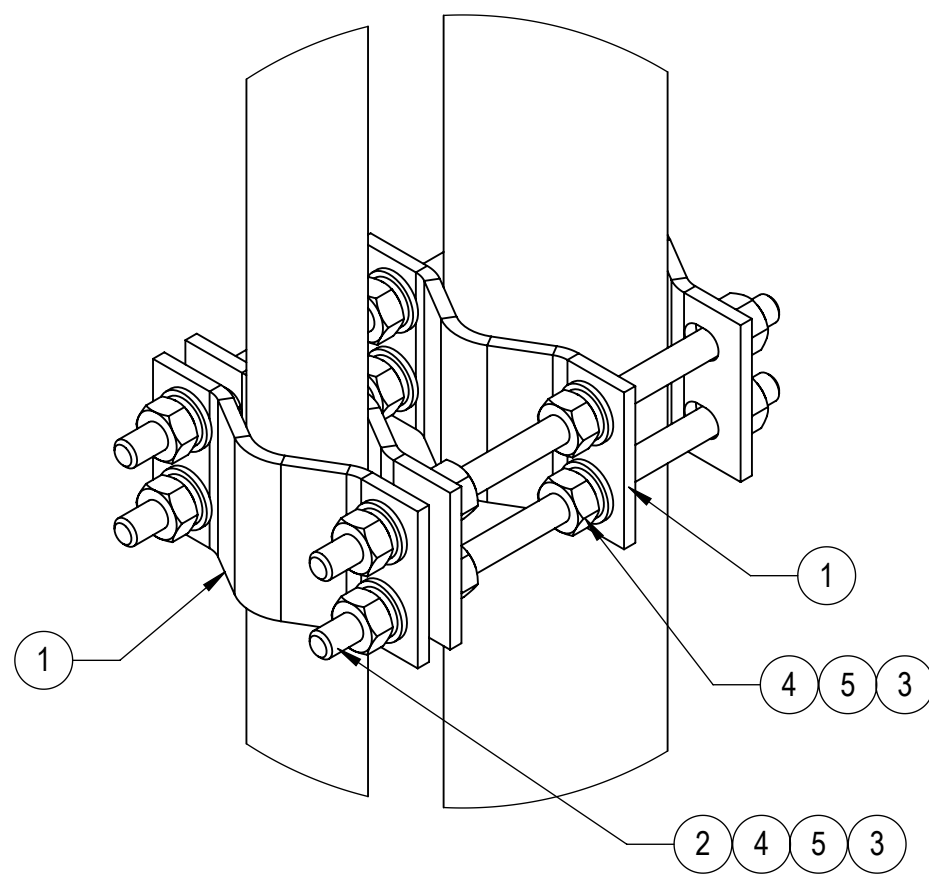
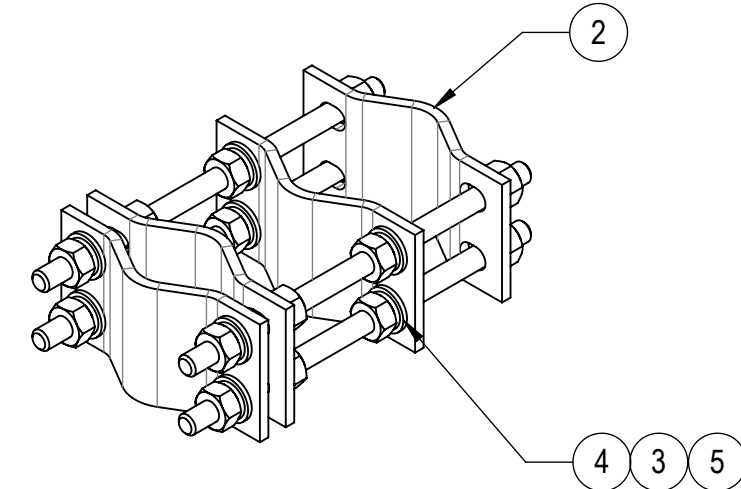
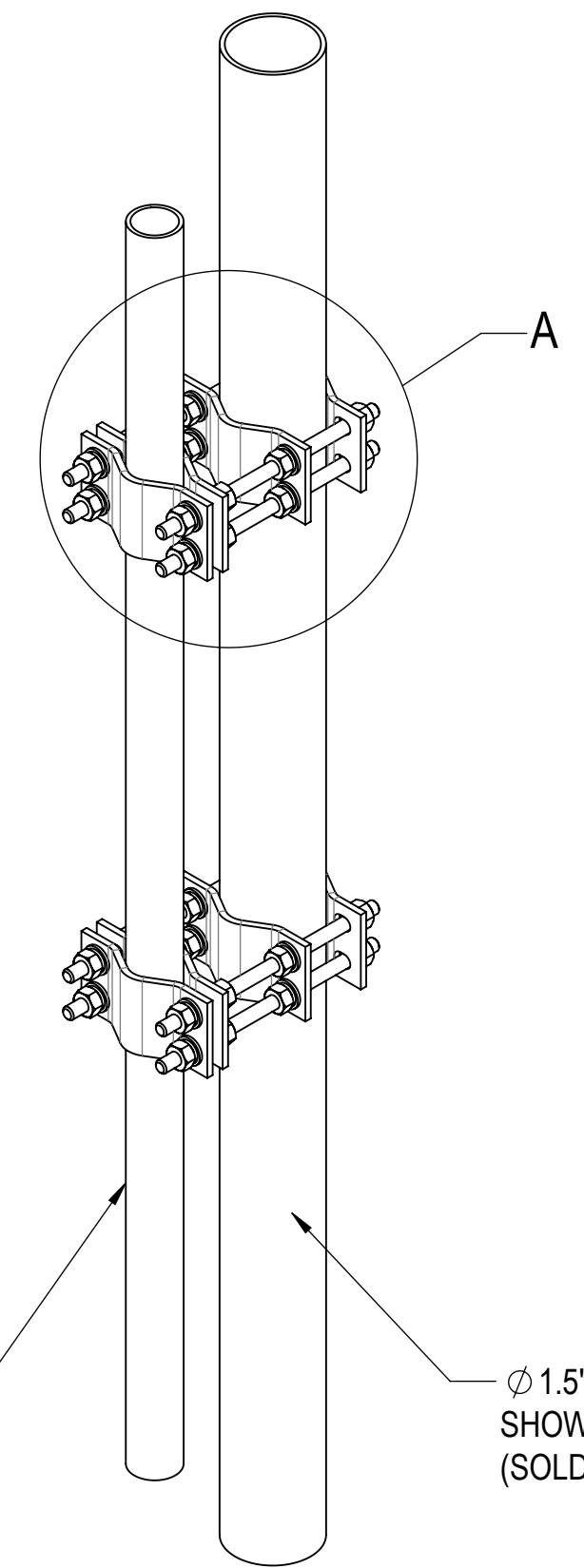
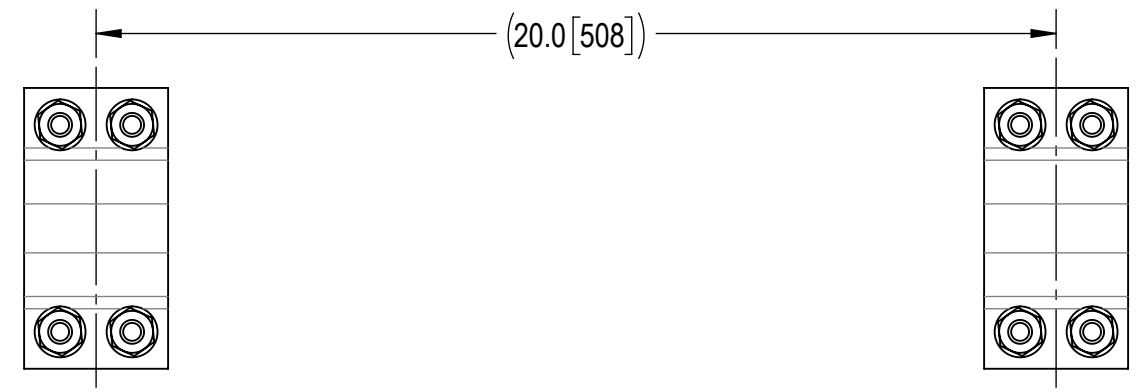
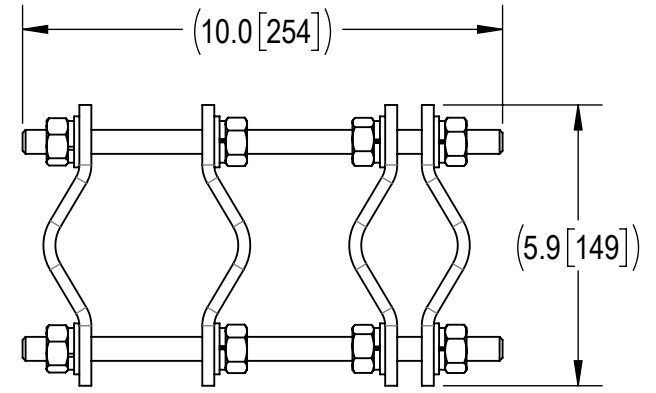
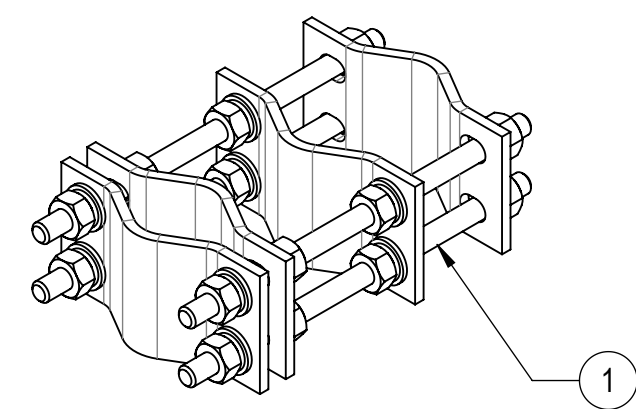


- 1.0 GENERAL NOTES
 1.1 ALL METRIC DIMENSIONS ARE IN BRACKETS [X. X]
 1.2 FOR PATENT INFO: <https://www.cs-pat.com>
 2.0 DESIGN NOTES
 2.1 ANY HAZARDS OR OBSTRUCTIONS TO THE CLIMBING FACILITY AND SAFETY CLIMB MUST BE IDENTIFIED PRIOR TO INSTALLING THE APPURTENANCE. ADDITIONAL PRODUCTS MAY BE REQUIRED TO MAINTAIN THE INTEGRITY OF THE SAFETY CLIMB. DURING INSTALLATION, TEMPORARY AND/OR PERMANENT PRECAUTIONARY MEASURES SHOULD BE TAKEN TO PRESERVE THE CLIMBING FACILITY AND/OR SAFETY CLIMB.
 3.0 MANUFACTURING/SPECIAL REQUIREMENTS
 3.1 TIGHTEN ALL BOLTS SECURING FLAT PLATES BY THE TURN-OF-NUT METHOD. TIGHTEN ALL U-BOLTS USING TURN-OF-NUT METHOD WITH ATTENTION TO LEAVE EQUAL DISTANCE AND EQUAL FORCE ON EACH LEG OF THE U-BOLT.
 4.0 TEST
 5.0 PACKAGING
 5.1 PACKAGING SHALL MEET COMMSCOPE REQUIREMENTS PER DOCUMENT IS-PL-3005
 5.2 PRINTED DOCUMENT TO BE PLACED INSIDE POLYBAG AND THEN IN SHIPPING CONTAINER
 5.3 EXTRA HARDWARE MAY BE SUPPLIED, BAGGED AND SHIPPED

REVISIONS			
REV.	DESCRIPTION	DATE	APPROVED
A	INITIAL RELEASE	MSM 15JUN12	TP
B	CHG BOM ON DRAWING; ADD PACK	CEB 17MAR16	TP
C	UPDATED DRAWING FORMAT	LL1090 18JUL24	BA1025 40200499CMO



DETAIL A
SCALE 1 : 3



COMMSCOPE, INC. OF NORTH CAROLINA

TOLERANCES		SAP MATERIAL MASTER	
1 PLACE .X[X] ± 0.25[6.3]	3 PLACE .XXX[X] ± 0.06[1.5]	BC-20-10D	
2 PLACE .XX[X] ± 0.12[3.0]	ANGLES ± 2°		
FINISH		MATERIAL	
UNLESS OTHERWISE SPECIFIED DIMENSIONS ARE IN INCHES INTERPRET PER ANSI Y 14.5M-1994	NAME	DATE	TITLE
	CE MSM	15JUN12	PIPE-TO-PIPE CLAMP, 1-1/2" - 3-1/2"
	RW LL1090	07/22/2024	
	AD YMENG	07/22/2024	
	RE YMENG	07/22/2024	
ECN 40200499CMO			
SCALE	DOCUMENT NO.		
1:4	BC-20-10D		
SIZE	Auth Group	INSL	MODEL
C			
	VERSION	STATUS	REVISION
	01	RE	C
	DRAWING		SHEET
	VERSION	STATUS	REVISION
	01	RE	C
			1 OF 1

COMPONENT PART NUMBERS PROVIDED FOR ASSEMBLY PURPOSES; INDIVIDUAL COMPONENTS MAY BE SHIPPED AS PARTS WITHIN AN INCLUDED KIT.

ITEM NO.	PART NUMBER	DESCRIPTION	QTY.	WEIGHT	NOTE NO.
1	MT37910	1/2" X 10" GALV THREADED ROD	8	0.55 LBS	
2	AC-P10D	ANTENNA CLAMP HALF, 1.5" - 3.5"	8	1.22 LBS	
3	GWL-04	1/2" GALV LOCK WASHER	32	0.01 LBS	
4	GWFO4A	1/2" GALV FLAT WASHER (A325)	32	0.02 LBS	
5	GN-04A	1/2" GALV HEX NUT (A194 2H)	32	0.07 LBS	

DENSITY	17.30	lbs/in ³
MASS	17.30	lbs
VOLUME	61.31	in ³
SURFACE AREA	651.16	in ²
HEIGHT	23.0"	
LENGTH	10.0"	
WIDTH	5.9"	