

1.0 GENERAL NOTES

- 1.1 ALL METRIC DIMENSIONS ARE IN BRACKETS [X.X]
- 1.2 FOR PATENT INFO: <https://www.cs-pat.com>

2.0 DESIGN NOTES

[2.1] > Ø 5/16" HOLE INCLUDED IN ITEM 3 FOR OPTIONAL (NOT INCLUDED) 1/4" SELF-DRILLING SCREW.

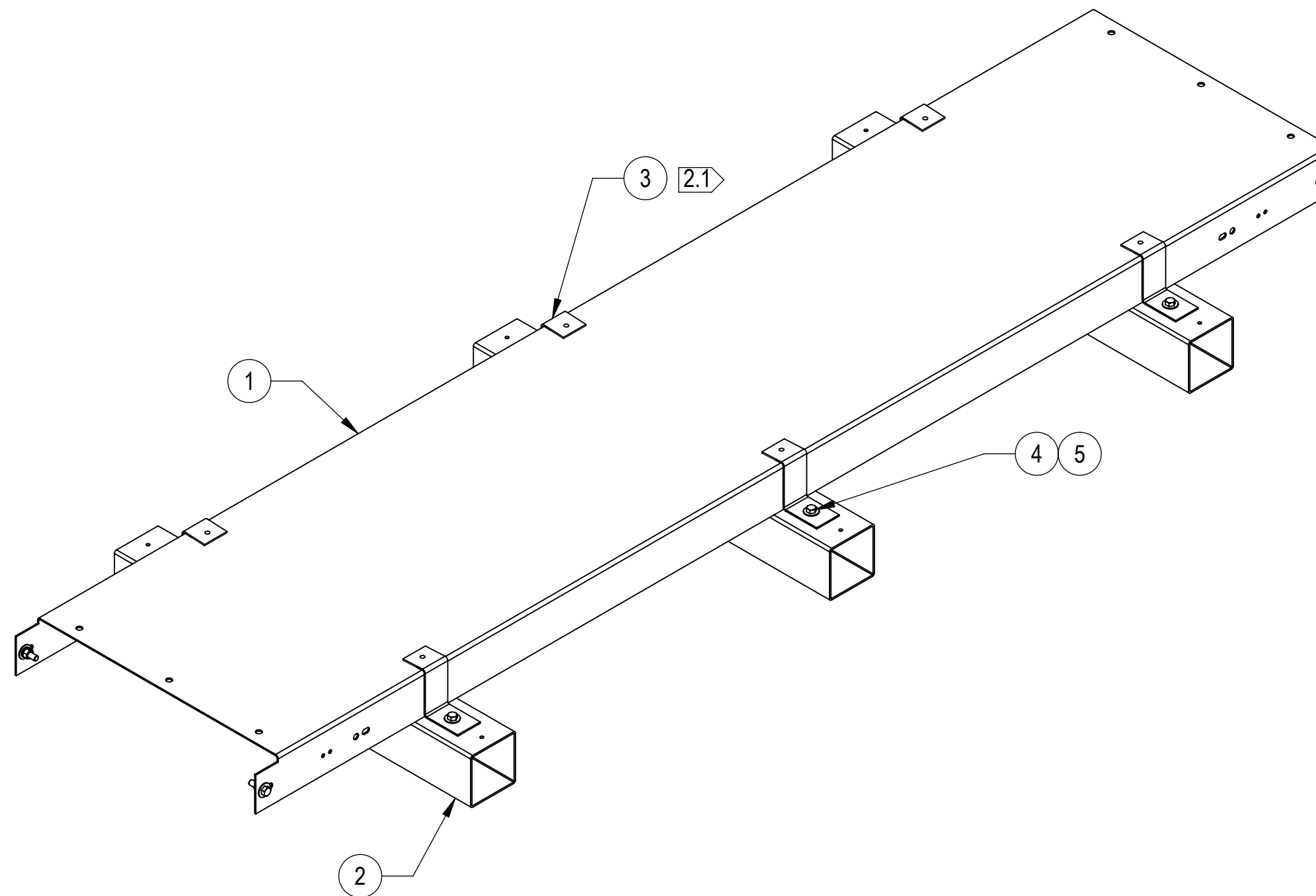
3.0 MANUFACTURING/SPECIAL REQUIREMENTS

4.0 TEST

5.0 PACKAGING

- 5.1 PACKAGING SHALL MEET COMMScope REQUIREMENTS PER DOCUMENT IS-PL-3005
- 5.2 PRINTED DOCUMENT TO BE PLACED INSIDE POLYBAG AND THEN IN SHIPPING CONTAINER
- 5.3 EXTRA HARDWARE MAY BE SUPPLIED, BAGGED AND SHIPPED

REVISIONS			
REV.	DESCRIPTION	DATE	APPROVED
A	INITIAL RELEASE	JTS 27APR01	04/27/01
B	UPDATE ROOFTOP COVER CLIP, COVER CHANGED TO SELF SPLICING, ADDED SPLICING FASTENERS	ACG 02FEB06	02/02/06
C	ADDED HOLE TO ITEM 4	ACG 06MAR06	03/06/06
D	UPDATED DRAWING FORMAT; REDRAWN TO CREATE PDF	YX1027 18JUL24	BA1025 40200320CMO



COMPONENT PART NUMBERS PROVIDED FOR ASSEMBLY PURPOSES; INDIVIDUAL COMPONENTS MAY BE SHIPPED AS PARTS WITHIN AN INCLUDED KIT.

ITEM NO.	PART NUMBER	DESCRIPTION	QTY.	WEIGHT	NOTE NO.
1	MTF154302	SELF SPLICING COAX COVER (8 RUN COAX)	1	77.89 LBS	
2	MT-F1599	PVC ROOF SLEEPER FOR 8 RUNS OF COAX	3	2.83 LBS	
3	MTF154203	ROOF TOP COVER CLIP	6	0.49 LBS	
4	GB-03125	3/8" X 1-1/4" GALV BOLT KIT	8	0.06 LBS	
5	GW-F-03	3/8" GALV FLAT WASHER	16	0.01 LBS	

DENSITY	90.16	lbs/in <sup>3</sup>
MASS	90.16	lbs
VOLUME	470.30	in <sup>3</sup>
SURFACE AREA	8494.86	in <sup>2</sup>
HEIGHT	7.6"	
LENGTH	96"	
WIDTH	31.8"	

**COMMScope, INC. OF NORTH CAROLINA**

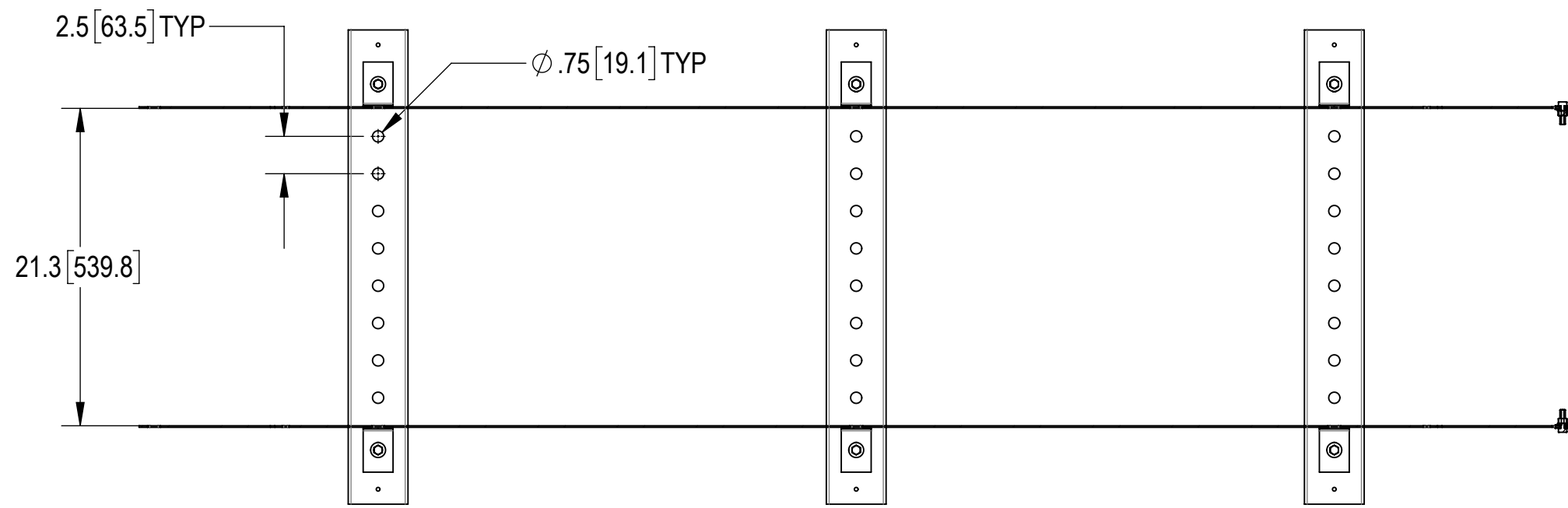
TOLERANCES		SAP MATERIAL MASTER	
1 PLACE .X[X] ± 0.06[1.5]	3 PLACE .XXX[X] ± 0.010[0.3]	<b>MT-F1543</b>	
2 PLACE .XX[X] ± 0.03[0.8]	ANGLES ± 2°		
FINISH		MATERIAL	
<small>UNLESS OTHERWISE SPECIFIED DIMENSIONS ARE IN INCHES INTERPRET PER ANSI Y 14.5M-1994</small>		NAME	DATE
		CE JTS	27APR01
		RW YX1027	07/23/2024
		AD YMENG	07/23/2024
		RE YMENG	07/23/2024
TITLE		<b>COAX BRIDGE KIT, 8 RUN COAX, ROOF TOP</b>	
ECN 40200320CMO			
SCALE	DOCUMENT NO.	<b>MT-F1543</b>	
<b>1:6</b>			
SIZE	Auth Group	INSL	MODEL
<b>C</b>			
VERSION		DRAWING	
01	RE	D	01
STATUS		REVISION	
RE	D	RE	D
SHEET		1 OF 2	

4

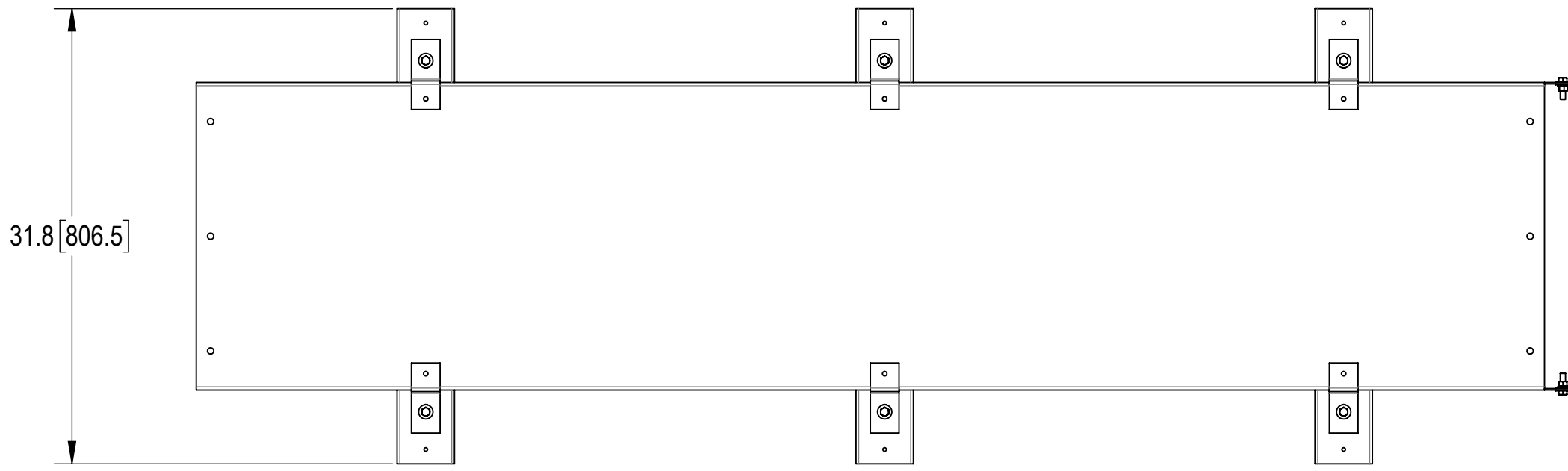
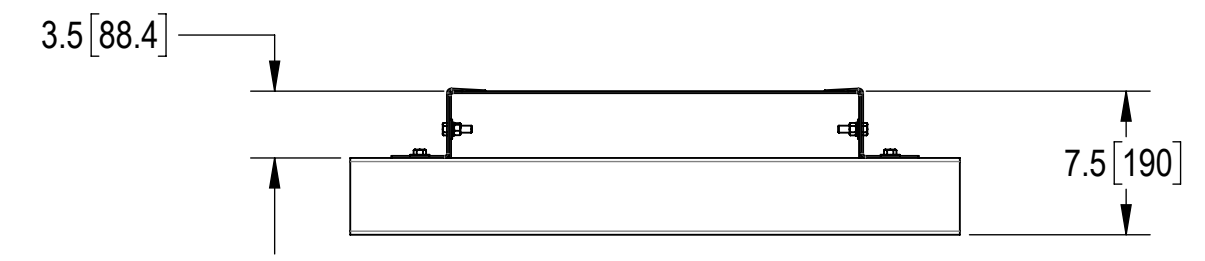
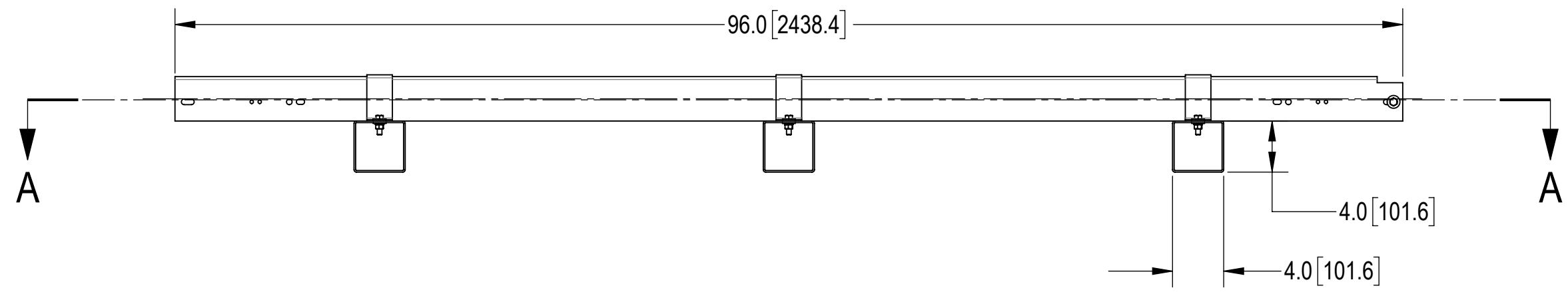
3


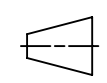
2

1



SECTION A-A



COMMSCOPE, INC. OF NORTH CAROLINA				
TITLE COAX BRIDGE KIT, 8 RUN COAX, ROOF TOP				
SIZE <b>C</b>	SCALE <b>1:12</b>	DOCUMENT NO. <b>MT-F1543</b>		
 		DRAWING		SHEET
		VERSION 01	STATUS RE	REVISION D

© 2024 CommScope, Inc. Confidential

4

3

2

1

D

D

C

C

B

B

A

A