

# F4C-HMDM-3M-E1



HELIAX® 1/2" Superflexible SureFlex® Jumper with interface types 4.3-10 Male and 7-16 DIN Male 3M

- WARNING: DO NOT MATE WITH 4.1-9.5 DIN
- If there are threads along the entire device port length, the HELIAX® SureGuard weatherproofing solutions will only seal properly if the HSG-M29-ADPT adapter is installed on the device port

## Product Classification

<b>Product Type</b>	Wireless transmission cable assembly
<b>Product Brand</b>	HELIAX®   SureFlex®
<b>Product Series</b>	RSJ4-50

## General Specifications

<b>Body Style, Connector A</b>	Straight
<b>Body Style, Connector B</b>	Straight
<b>Interface, Connector A</b>	4.3-10 Male
<b>Interface, Connector B</b>	7-16 DIN Male
<b>Specification Sheet Revision Level</b>	A

## Dimensions

<b>Length</b>	3 m   9.843 ft
<b>Nominal Size</b>	1/2 in

## Electrical Specifications

<b>3rd Order IMD Static</b>	-116 dBm
<b>3rd Order IMD Static Test Method</b>	Two +43 dBm carriers
<b>DTF, Connector A</b>	-34 dB
<b>DTF, Connector B</b>	-34 dB

## VSWR/Return Loss

Frequency Band	VSWR	Return Loss (dB)	Insertion Loss, typical (dB)
698–960 MHz	1.065	30.04	1.23
1700–2200 MHz	1.083	27.99	2

# F4C-HMDM-3M-E1

2300-2700 MHz	1.106	25.96	2.25
3400-3800 MHz	1.222	20.01	2.73

## Jumper Assembly Sample Label



## Environmental Specifications

**Immersion Test Method** Meets IEC 60529:2001, IP68 in mated condition

## Included Products

- F4XDM-S2 - 7-16DIN Male for 1/2 in RSJ4-50LF cable, factory attached
- F4XHM-S2 - 4.3-10 Male for 1/2 in RSJ4-50LF cable, factory attached
- RSJ4RK-50LF - RSJ4-50, HELIAX® Superflexible Foam Coaxial Cable, corrugated copper, 1/2 in, black non-halogenated, fire retardant polyolefin jacket B2ca-s1a,d1,a1

# F4XDM-S2

---



7-16DIN Male for 1/2 in RSJ4-50LF cable, factory attached

## Product Classification

<b>Product Type</b>	Wireless and radiating connector
<b>Product Brand</b>	HELIAX®

## General Specifications

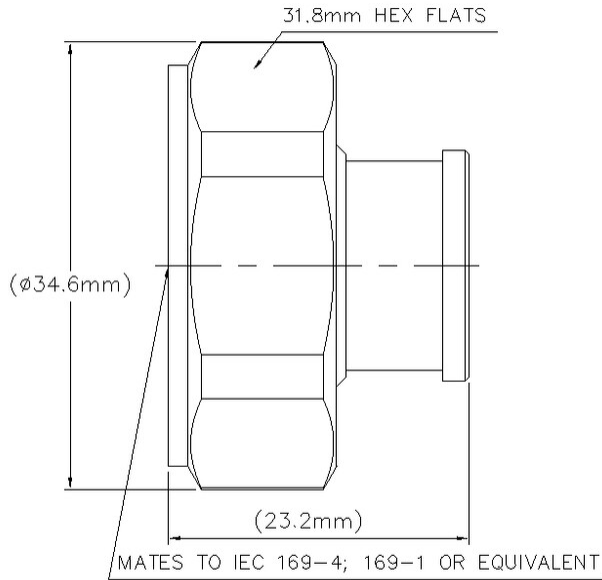
<b>Body Style</b>	Straight
<b>Cable Family</b>	RSJ4-50
<b>Inner Contact Attachment Method</b>	Captivated
<b>Inner Contact Plating</b>	Silver
<b>Interface</b>	7-16 DIN Male
<b>Outer Contact Attachment Method</b>	Solder
<b>Outer Contact Plating</b>	Trimetal
<b>Pressurizable</b>	No

## Dimensions

<b>Length</b>	23.2 mm   0.913 in
<b>Diameter</b>	34.54 mm   1.36 in
<b>Nominal Size</b>	1/2 in

## Outline Drawing

# F4XDM-S2



## Electrical Specifications

<b>3rd Order IMD at Frequency</b>	-116 dBm @ 910 MHz
<b>3rd Order IMD Test Method</b>	Two +43 dBm carriers
<b>Insertion Loss Coefficient, typical</b>	0.05
<b>Cable Impedance</b>	50 ohm
<b>Connector Impedance</b>	50 ohm
<b>dc Test Voltage</b>	2500 V
<b>Inner Contact Resistance, maximum</b>	0.8 mOhm
<b>Insulation Resistance, minimum</b>	5000 MOhm
<b>Operating Frequency Band</b>	0 – 7500 MHz
<b>Outer Contact Resistance, maximum</b>	1.5 mOhm
<b>Peak Power, maximum</b>	15.6 kW
<b>RF Operating Voltage, maximum (vrms)</b>	884 V
<b>Shielding Effectiveness</b>	-110 dB

## VSWR/Return Loss

Frequency Band	VSWR	Return Loss (dB)
----------------	------	------------------

# F4XDM-S2

---

<b>698–960 MHz</b>	1.032	36.06
<b>1700–2200 MHz</b>	1.032	36.06
<b>2200–2700 MHz</b>	1.041	33.94
<b>3400–3800 MHz</b>	1.106	25.96

## Mechanical Specifications

<b>Connector Retention Tensile Force</b>	889.64 N   200 lbf
<b>Connector Retention Torque</b>	4.07 N-m   36.023 in lb
<b>Coupling Nut Proof Torque</b>	25 N-m   221.269 in lb
<b>Coupling Nut Retention Force</b>	1,000.85 N   225 lbf
<b>Coupling Nut Retention Force Method</b>	MIL-C-39012C-3.25, 4.6.22
<b>Interface Durability</b>	500 cycles
<b>Mechanical Shock Test Method</b>	MIL-STD-202F, Method 213B, Test Condition C

## Environmental Specifications

<b>Operating Temperature</b>	-55 °C to +85 °C (-67 °F to +185 °F)
<b>Storage Temperature</b>	-65 °C to +125 °C (-85 °F to +257 °F)
<b>Attenuation, Ambient Temperature</b>	20 °C   68 °F
<b>Average Power, Ambient Temperature</b>	40 °C   104 °F
<b>Corrosion Test Method</b>	MIL-STD-1344A, Method 1001.1, Test Condition A
<b>Immersion Depth</b>	1 m
<b>Immersion Test Mating</b>	Mated
<b>Immersion Test Method</b>	IEC 60529:2001, IP68
<b>Moisture Resistance Test Method</b>	MIL-STD-202F, Method 106F
<b>Thermal Shock Test Method</b>	MIL-STD-202F, Method 107G, Test Condition A-1, Low Temperature -55 °C
<b>Vibration Test Method</b>	MIL-STD-202F, Method 204D, Test Condition B

## Packaging and Weights

<b>Weight, net</b>	47.2 g   0.104 lb
--------------------	-------------------

## \* Footnotes

<b>Insertion Loss Coefficient, typical</b>	0.05√freq (GHz) (not applicable for elliptical waveguide)
<b>Immersion Depth</b>	Immersion at specified depth for 24 hours

# F4XHM-S2

---



4.3-10 Male for 1/2 in RSJ4-50LF cable, factory attached

## Product Classification

<b>Product Type</b>	Wireless and radiating connector
<b>Product Brand</b>	HELIAX®

## General Specifications

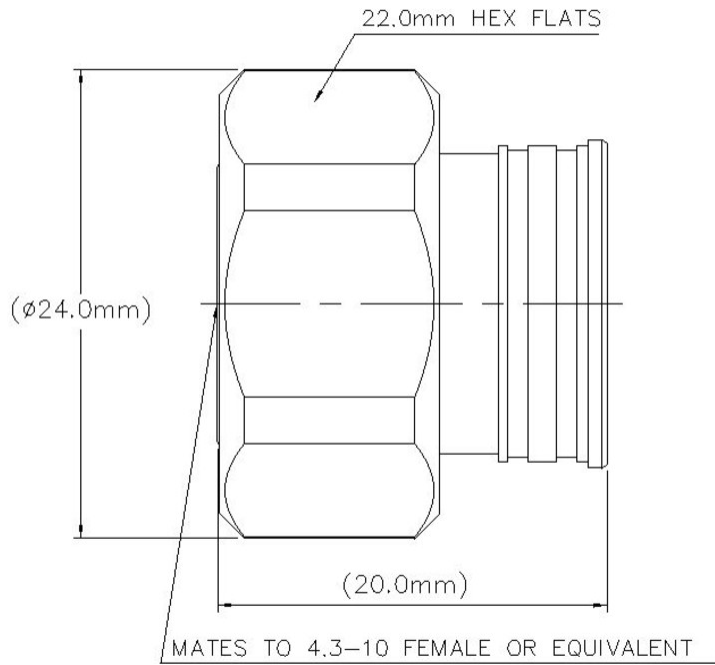
<b>Body Style</b>	Straight
<b>Cable Family</b>	RSJ4-50
<b>Inner Contact Attachment Method</b>	Captivated
<b>Inner Contact Plating</b>	Silver
<b>Interface</b>	4.3-10 Male
<b>Outer Contact Attachment Method</b>	Solder
<b>Outer Contact Plating</b>	Trimetal

## Dimensions

<b>Length</b>	20 mm   0.787 in
<b>Diameter</b>	24 mm   0.945 in
<b>Nominal Size</b>	1/2 in

## Outline Drawing

# F4XHM-S2



## Electrical Specifications

<b>3rd Order IMD at Frequency</b>	-119 dBm @ 910 MHz
<b>3rd Order IMD Test Method</b>	Two +43 dBm carriers
<b>Insertion Loss Coefficient, typical</b>	0.05
<b>Cable Impedance</b>	50 ohm
<b>Connector Impedance</b>	50 ohm
<b>dc Test Voltage</b>	2500 V
<b>Inner Contact Resistance, maximum</b>	1 mOhm
<b>Insulation Resistance, minimum</b>	5000 MOhm
<b>Operating Frequency Band</b>	0 – 6000 MHz
<b>Outer Contact Resistance, maximum</b>	1 mOhm
<b>Peak Power, maximum</b>	15 kW

## VSWR/Return Loss

Frequency Band	VSWR	Return Loss (dB)
698–960 MHz	1.032	36.06

# F4XHM-S2

---

<b>1700–2200 MHz</b>	1.032	36.06
<b>2200–2700 MHz</b>	1.041	33.94
<b>3400–3800 MHz</b>	1.106	25.96

## Mechanical Specifications

<b>Connector Retention Tensile Force</b>	889.64 N   200 lbf
<b>Connector Retention Torque</b>	4.1 N-m   36.288 in lb
<b>Coupling Nut Proof Torque</b>	8 N-m   70.806 in lb
<b>Coupling Nut Retention Force</b>	449.98 N   101.16 lbf
<b>Interface Durability</b>	100 cycles
<b>Mechanical Shock Test Method</b>	IEC 60068-2-27

## Environmental Specifications

<b>Operating Temperature</b>	-55 °C to +85 °C (-67 °F to +185 °F)
<b>Storage Temperature</b>	-65 °C to +125 °C (-85 °F to +257 °F)
<b>Attenuation, Ambient Temperature</b>	20 °C   68 °F
<b>Average Power, Ambient Temperature</b>	40 °C   104 °F
<b>Corrosion Test Method</b>	IEC 60068-2-11
<b>Immersion Depth</b>	1 m
<b>Immersion Test Mating</b>	Mated
<b>Immersion Test Method</b>	IEC 60529:2001, IP68
<b>Moisture Resistance Test Method</b>	IEC 60068-2-3
<b>Thermal Shock Test Method</b>	IEC 60068-2-14
<b>Vibration Test Method</b>	IEC 60068-2-6

## Packaging and Weights

<b>Weight, net</b>	22.04 g   0.049 lb
--------------------	--------------------

## Regulatory Compliance/Certifications

<b>Agency</b>	<b>Classification</b>
CHINA-ROHS	Below maximum concentration value
REACH-SVHC	Compliant as per SVHC revision on <a href="https://www.commscope.com/ProductCompliance">www.commscope.com/ProductCompliance</a>
ROHS	Compliant
UK-ROHS	Compliant



# F4XHM-S2

---

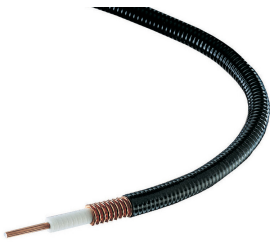


\* Footnotes

**Insertion Loss Coefficient, typical** 0.05√freq (GHz) (not applicable for elliptical waveguide)

**Immersion Depth** Immersion at specified depth for 24 hours

# RSJ4RK-50LF



RSJ4-50, HELIAX® Superflexible Foam Coaxial Cable, corrugated copper, 1/2 in, black non-halogenated, fire retardant polyolefin jacket B2ca-s1a,d1,a1

## Product Classification

<b>Product Type</b>	Coaxial wireless cable
<b>Product Brand</b>	HELIAX®   SureFlex®
<b>Product Series</b>	RSJ4-50

## General Specifications

<b>Flexibility</b>	Superflexible
<b>Jacket Color</b>	Black
<b>Performance Note</b>	Attenuation values typical, guaranteed within 5%

## Dimensions

<b>Diameter Over Dielectric</b>	9.423 mm   0.371 in
<b>Diameter Over Jacket</b>	13.411 mm   0.528 in
<b>Inner Conductor OD</b>	3.594 mm   0.141 in
<b>Outer Conductor OD</b>	11.989 mm   0.472 in
<b>Nominal Size</b>	1/2 in

## Electrical Specifications

<b>Cable Impedance</b>	50 ohm $\pm$ 1 ohm
<b>Capacitance</b>	83.9 pF/m   25.573 pF/ft
<b>dc Resistance, Inner Conductor</b>	2.76 ohms/km   0.841 ohms/kft
<b>dc Resistance, Outer Conductor</b>	5.73 ohms/km   1.747 ohms/kft
<b>dc Test Voltage</b>	2500 V
<b>Inductance</b>	0.213 $\mu$ H/m   0.065 $\mu$ H/ft
<b>Insulation Resistance</b>	100000 MOhms-km
<b>Jacket Spark Test Voltage (rms)</b>	4000 V
<b>Operating Frequency Band</b>	1 – 10200 MHz
<b>Peak Power</b>	15.6 kW

# RSJ4RK-5OLF

Velocity

79 %

## VSWR/Return Loss

Frequency Band	VSWR	Return Loss (dB)
680–800 MHz	1.201	20.79
800–960 MHz	1.201	20.79
1700–2200 MHz	1.201	20.79
2300–2700 MHz	1.201	20.79

## Attenuation

Frequency (MHz)	Attenuation (dB/100 m)	Attenuation (dB/100 ft)	Average Power (kW)
1.0	0.327	0.1	15.6
1.5	0.401	0.122	15.6
2.0	0.463	0.141	15.6
10.0	1.044	0.318	10.12
20.0	1.485	0.453	7.11
30.0	1.828	0.557	5.78
50.0	2.377	0.724	4.44
85.0	3.13	0.954	3.38
88.0	3.187	0.971	3.32
100.0	3.406	1.038	3.1
108.0	3.546	1.081	2.98
150.0	4.214	1.285	2.51
174.0	4.558	1.389	2.32
200.0	4.908	1.496	2.15
204.0	4.96	1.512	2.13
300.0	6.095	1.858	1.73
400.0	7.121	2.17	1.48
450.0	7.592	2.314	1.39
460.0	7.684	2.342	1.37
500.0	8.042	2.451	1.31
512.0	8.148	2.483	1.3
600.0	8.891	2.71	1.19
700.0	9.683	2.951	1.09
800.0	10.431	3.179	1.01

# RSJ4RK-50LF

---

<b>824.0</b>	10.605	3.232	1
<b>894.0</b>	11.101	3.383	0.95
<b>960.0</b>	11.555	3.522	0.91
<b>1000.0</b>	11.824	3.604	0.89
<b>1218.0</b>	13.226	4.031	0.8
<b>1250.0</b>	13.423	4.091	0.79
<b>1500.0</b>	14.906	4.543	0.71
<b>1700.0</b>	16.027	4.885	0.66
<b>1794.0</b>	16.537	5.04	0.64
<b>1800.0</b>	16.57	5.05	0.64
<b>2000.0</b>	17.624	5.371	0.6
<b>2100.0</b>	18.137	5.528	0.58
<b>2200.0</b>	18.641	5.682	0.57
<b>2300.0</b>	19.138	5.833	0.55
<b>2500.0</b>	20.11	6.129	0.53
<b>2700.0</b>	21.056	6.418	0.5
<b>3000.0</b>	22.432	6.837	0.47
<b>3400.0</b>	24.198	7.375	0.44
<b>3600.0</b>	25.055	7.636	0.42
<b>3700.0</b>	25.478	7.765	0.41
<b>3800.0</b>	25.898	7.893	0.41
<b>3900.0</b>	26.314	8.02	0.4
<b>4000.0</b>	26.727	8.146	0.4
<b>4100.0</b>	27.136	8.271	0.39
<b>4200.0</b>	27.542	8.394	0.38
<b>4300.0</b>	27.946	8.517	0.38
<b>4400.0</b>	28.346	8.639	0.37
<b>4500.0</b>	28.744	8.761	0.37
<b>4600.0</b>	29.139	8.881	0.36
<b>4700.0</b>	29.531	9.001	0.36
<b>4800.0</b>	29.921	9.119	0.35
<b>4900.0</b>	30.308	9.238	0.35
<b>5000.0</b>	30.693	9.355	0.34
<b>6000.0</b>	34.427	10.493	0.31
<b>8000.0</b>	41.403	12.619	0.26

# RSJ4RK-50LF

---

<b>8800.0</b>	44.054	13.427	0.24
<b>10000.0</b>	47.914	14.603	0.22

## Material Specifications

<b>Dielectric Material</b>	Foam PE
<b>Jacket Material</b>	Non-halogenated, fire retardant polyolefin
<b>Inner Conductor Material</b>	Copper-plating aluminum wire
<b>Outer Conductor Material</b>	Corrugated copper

## Mechanical Specifications

<b>Minimum Bend Radius, multiple Bends</b>	31.75 mm   1.25 in
<b>Minimum Bend Radius, single Bend</b>	31.75 mm   1.25 in
<b>Number of Bends, minimum</b>	12
<b>Number of Bends, typical</b>	15
<b>Tensile Strength</b>	79 kg   174.165 lb
<b>Bending Moment</b>	2.6 N-m   23.012 in lb
<b>Flat Plate Crush Strength</b>	2 kg/mm   111.995 lb/in

## Environmental Specifications

<b>Installation temperature</b>	-40 °C to +60 °C (-40 °F to +140 °F)
<b>Operating Temperature</b>	-40 °C to +60 °C (-40 °F to +140 °F)
<b>Storage Temperature</b>	-40 °C to +60 °C (-40 °F to +140 °F)
<b>Attenuation, Ambient Temperature</b>	68 °F   20 °C
<b>Average Power, Ambient Temperature</b>	104 °F   40 °C
<b>Average Power, Inner Conductor Temperature</b>	212 °F   100 °C
<b>EN50575 CPR Cable EuroClass Fire Performance</b>	B2ca
<b>EN50575 CPR Cable EuroClass Smoke Rating</b>	s1a
<b>EN50575 CPR Cable EuroClass Droplets Rating</b>	d1
<b>EN50575 CPR Cable EuroClass Acidity Rating</b>	a1
<b>Fire Retardancy Test Method</b>	IEC 60332-1-2   NFPA 130-2010   UL 1666/CATVR/CMR
<b>Smoke Index Test Method</b>	IEC 61034
<b>Toxicity Index Test Method</b>	IEC 60754-2

## Packaging and Weights

# RSJ4RK-5OLF

---

**Cable weight**

0.15 kg/m | 0.101 lb/ft