

4

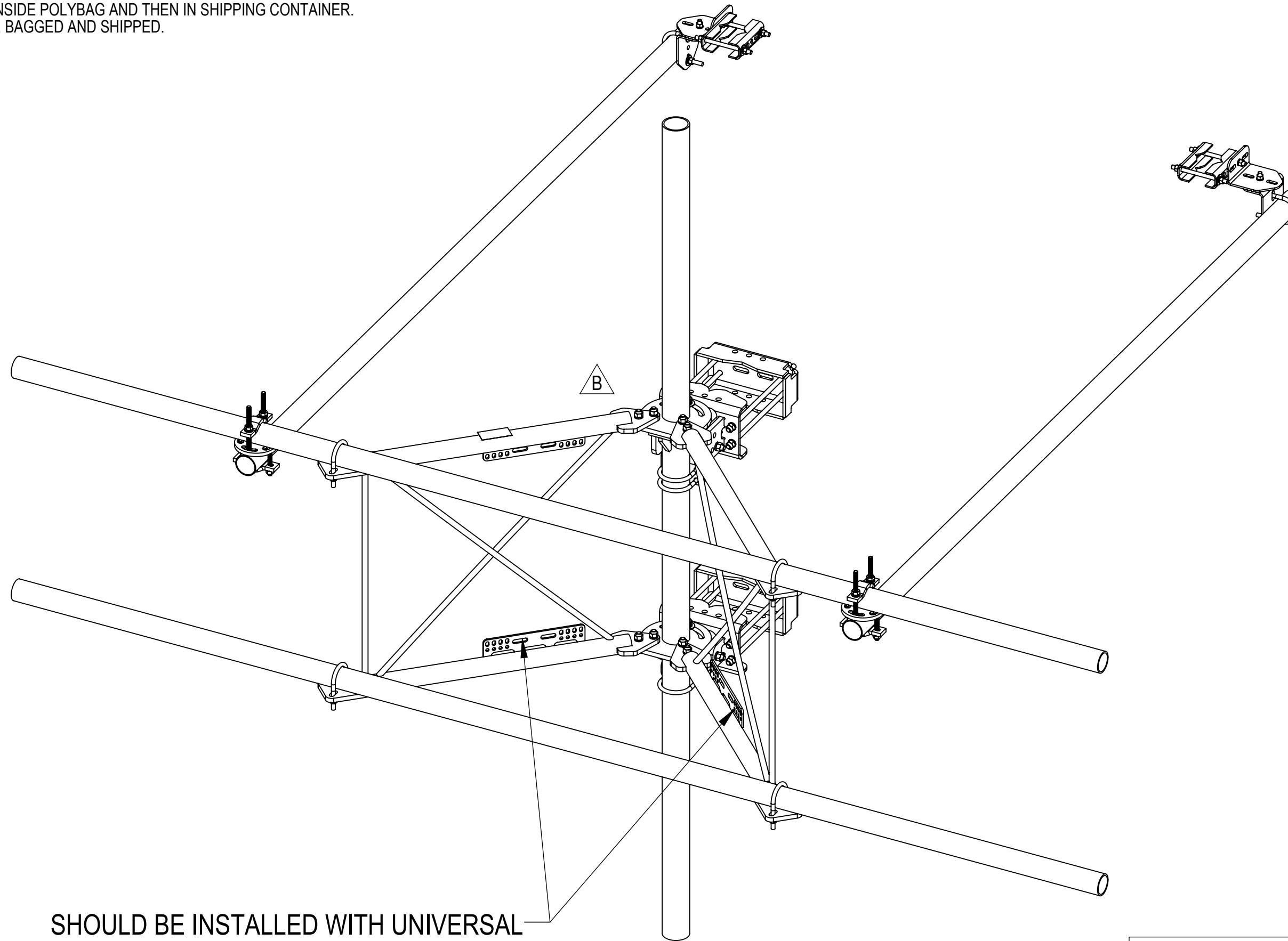
3

2

1

- 1.0 GENERAL NOTES
 - 1.1 ALL METRIC DIMENSIONS ARE IN BRACKETS [X.XX]
 - 1.2 FOR PATENT INFO: <https://www.cs-pat.com>
- 2.0 DESIGN NOTES
 - 2.1 ANY HAZARDS OR OBSTRUCTIONS TO THE CLIMBING FACILITY AND SAFETY CLIMB MUST BE IDENTIFIED PRIOR TO INSTALLING THE APPURTENANCE. ADDITIONAL PRODUCTS MAY BE REQUIRED TO MAINTAIN THE INTEGRITY OF THE SAFETY CLIMB. DURING INSTALLATION, TEMPORARY AND/OR PERMANENT PRECAUTIONARY MEASURES SHOULD BE TAKEN TO PRESERVE THE CLIMBING FACILITY AND/OR SAFETY CLIMB.
 - 2.2 UP TO 5.0° TAPER AVAILABLE ON MODELS THAT SUPPORT ADJUSTMENT.
- 3.0 MANUFACTURING/SPECIAL REQUIREMENTS
 - 3.1 TIGHTEN ALL BOLTS SECURING FLAT PLATES BY THE TURN-OF-NUT METHOD. TIGHTEN ALL U-BOLTS USING TURN-OF-NUT METHOD WITH ATTENTION TO LEAVE EQUAL DISTANCE AND EQUAL FORCE ON EACH LEG OF THE U-BOLT.
- 4.0 TEST
- 5.0 PACKAGING
 - 5.1 PACKAGING SHALL MEET COMMSCOPE REQUIREMENTS PER DOCUMENT IS-PL-3005.
 - 5.2 PRINTED DOCUMENT TO BE PLACED INSIDE POLYBAG AND THEN IN SHIPPING CONTAINER.
 - 5.3 EXTRA HARDWARE MAY BE SUPPLIED, BAGGED AND SHIPPED.

REVISIONS			
REV.	DESCRIPTION	DATE	APPROVED
A	INITIAL RELEASE	JL1183 24MAY24	CB1094 40196505CMO
B	V-ARM SFG2292-00 (ITEM 2) WAS SFG2278; SHEET5: ADDED V-ARM DETAIL VIEW	JL1183 12JUL24	CB1094 40200155CMO



SHOULD BE INSTALLED WITH UNIVERSAL
INTERFACE PLATES FACING OUTWARDS

COMMSCOPE, INC. OF NORTH CAROLINA

TOLERANCES		SAP MATERIAL MASTER	
0 PLACE .X[X] ± 0.25[6.3]	2 PLACE .XX[X] ± 0.06[1.5]	SFG22RHDX-13-B	
1 PLACE .X[X] ± 0.12[3.0]	ANGLES ± 2°		
FINISH		MATERIAL	
UNLESS OTHERWISE SPECIFIED DIMENSIONS ARE IN INCHES INTERPRET PER ANSI Y 14.5M-1994	NAME	DATE	TITLE
	CE JL1183	24MAY24	SF,13'FP,NOAP
	RW JL1183	07/15/2024	
	AD CB1094	07/18/2024	SCALE
	RE YMENG	08/05/2024	DOCUMENT NO.
ECN 40200155CMO		SFG22RHDX-13-B	
SIZE	Auth Group	INSL	MODEL
C			
VERSION	STATUS	REVISION	DRAWING
01	RE	B	01 RE B
			SHEET
			1 OF 6

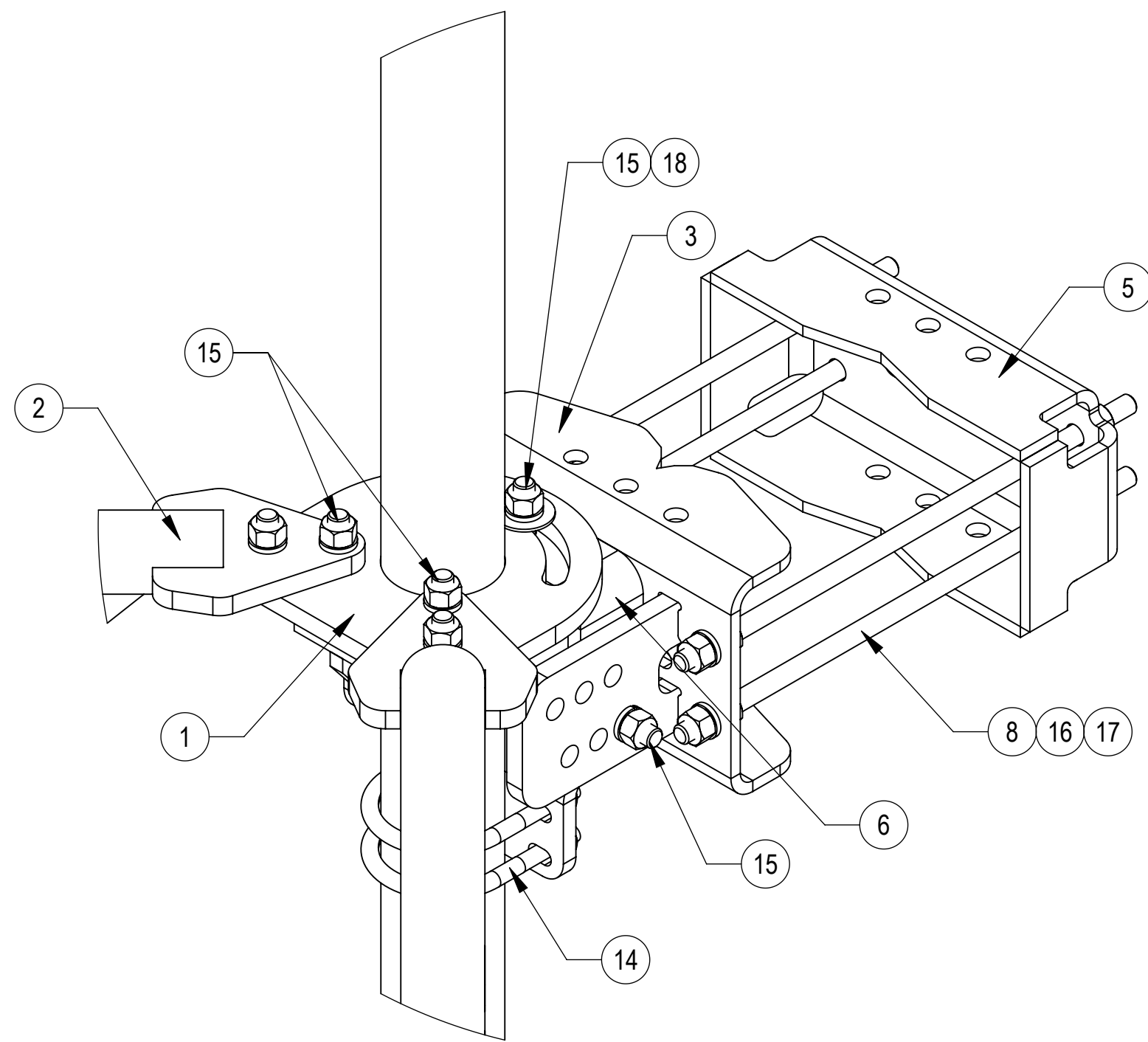
DENSITY		lbs/in³
MASS	574.59	lbs
VOLUME	2029.17	in³
SURFACE AREA	19535.84	in²
HEIGHT	120"	
LENGTH	156"	
WIDTH	120"	

4

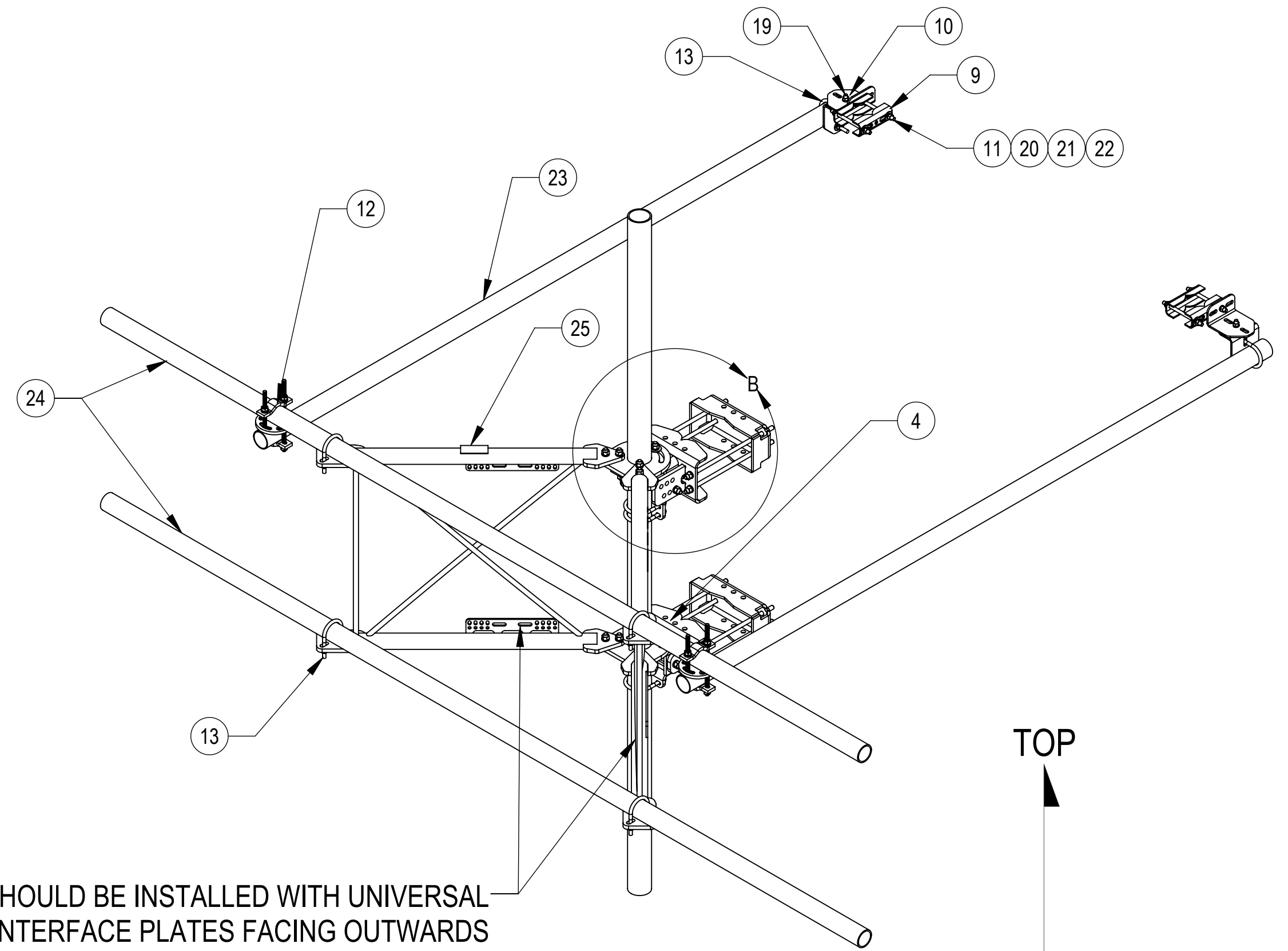
3

2

1



DETAIL B
SCALE 1 : 4

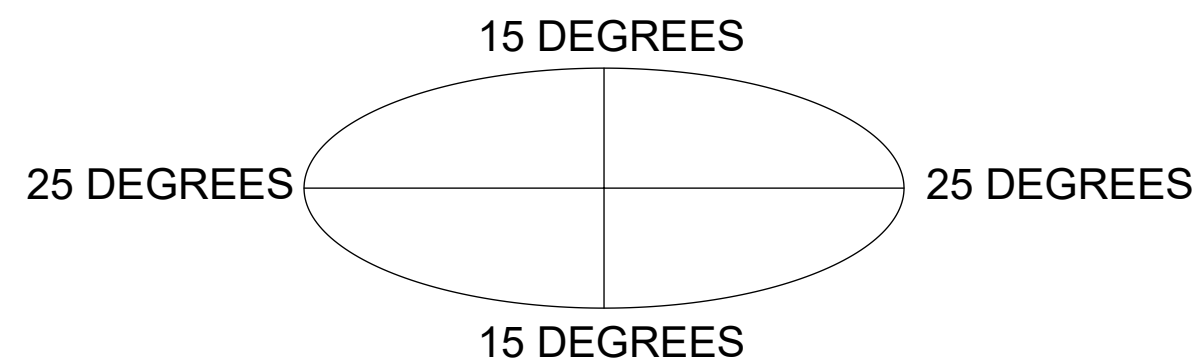


SHOULD BE INSTALLED WITH UNIVERSAL
INTERFACE PLATES FACING OUTWARDS

TOP
↓
BOTTOM

ALLOWABLE TIEBACK ANGLE

± 15 DEGREES VERTICAL
± 25 DEGREES HORIZONTAL



COMPONENT PART NUMBERS PROVIDED FOR ASSEMBLY PURPOSES;
INDIVIDUAL COMPONENTS MAY BE SHIPPED AS PARTS WITHIN AN INCLUDED KIT.

ITEM	PART NO.	DESCRIPTION	QTY.	WEIGHT	NOTE NO.
1	SFG2204	WELDMENT, BACK VERTICAL ARM MOUNT	1	97.29 LBS	
2	SFG2292-00	WELDMENT, V-ARM, SECTOR FRAME 22	2	49.69 LBS	
3	SFG2380	WELDMENT, HD, TOP TAPER BRACKET	1	22.78 LBS	
4	SFG2381	WELDMENT, HD, LOWER TOWER LEG BRACKET	1	17.42 LBS	
5	SFG2289	G2 RRU BACK CLAMP, HD	2	18.65 LBS	
6	SFG2386	WELDMENT, SFG2 AZIMUTH BRACKET	1	10.07 LBS	
7	SFG2397-00	WELDMENT, G23 AZIMUTH BRACKET	1	7.94 LBS	
8	MT-382-18	5/8" X 18" THREADED ROD	8	1.43 LBS	
9	SAB01	FORMED CLAMP	4	1.35 LBS	
10	XAU01	ANGLE, CROSSOVER, 1.9-3.5" X 1.9-3.5" OD	4	2.98 LBS	
11	MT-379-8	1/2" X 8" GALV THREADED ROD	4	0.45 LBS	
12	XP-R	CROSSOVER PLATE, ROUND, UP TO 3.5" OD	2	6.20 LBS	
13	GUB-4352	1/2" X 3" X 5-1/4" GALV U-BOLT	6	0.71 LBS	
14	GUB-4355	1/2" X 3-5/8" X 5" GALV U-BOLT	3	0.71 LBS	
15	GB-05225	5/8" X 2-1/4" GALV BOLT KIT	14	0.28 LBS	
16	GN-05	5/8" GALV HEX NUT	24	0.08 LBS	
17	GWL-05	5/8" GALV LOCK WASHER	16	0.03 LBS	
18	GWF-05	5/8" GALV FLAT WASHER, 1.7OD	2	0.06 LBS	
19	GB-04145	1/2" X 1-1/2" GALV BOLT KIT	2	0.13 LBS	
20	GN-04	1/2" GALV HEX NUT	10	0.04 LBS	
21	GWL-04	1/2" GALV LOCK WASHER	10	0.01 LBS	
22	GWF-04	1/2" GALV FLAT WASHER	8	0.04 LBS	
23	MT546120120	PIPE, 2.875"OD X 120"	2	35.44 LBS	
24	MT546156	2.875" O.D. X 156" PIPE	2	75.58 LBS	
25	SFG2295	LABEL, SFG22RHDX	1	0.04 LBS	

COMMSCOPE, INC. OF NORTH CAROLINA				
TITLE SF,13'FP,NOAP				
SIZE C	SCALE 1:16	DOCUMENT NO. SFG22RHDX-13-B		
DRAWING		VERSION	STATUS	REVISION
		01	RE	B
				SHEET 2 OF 6

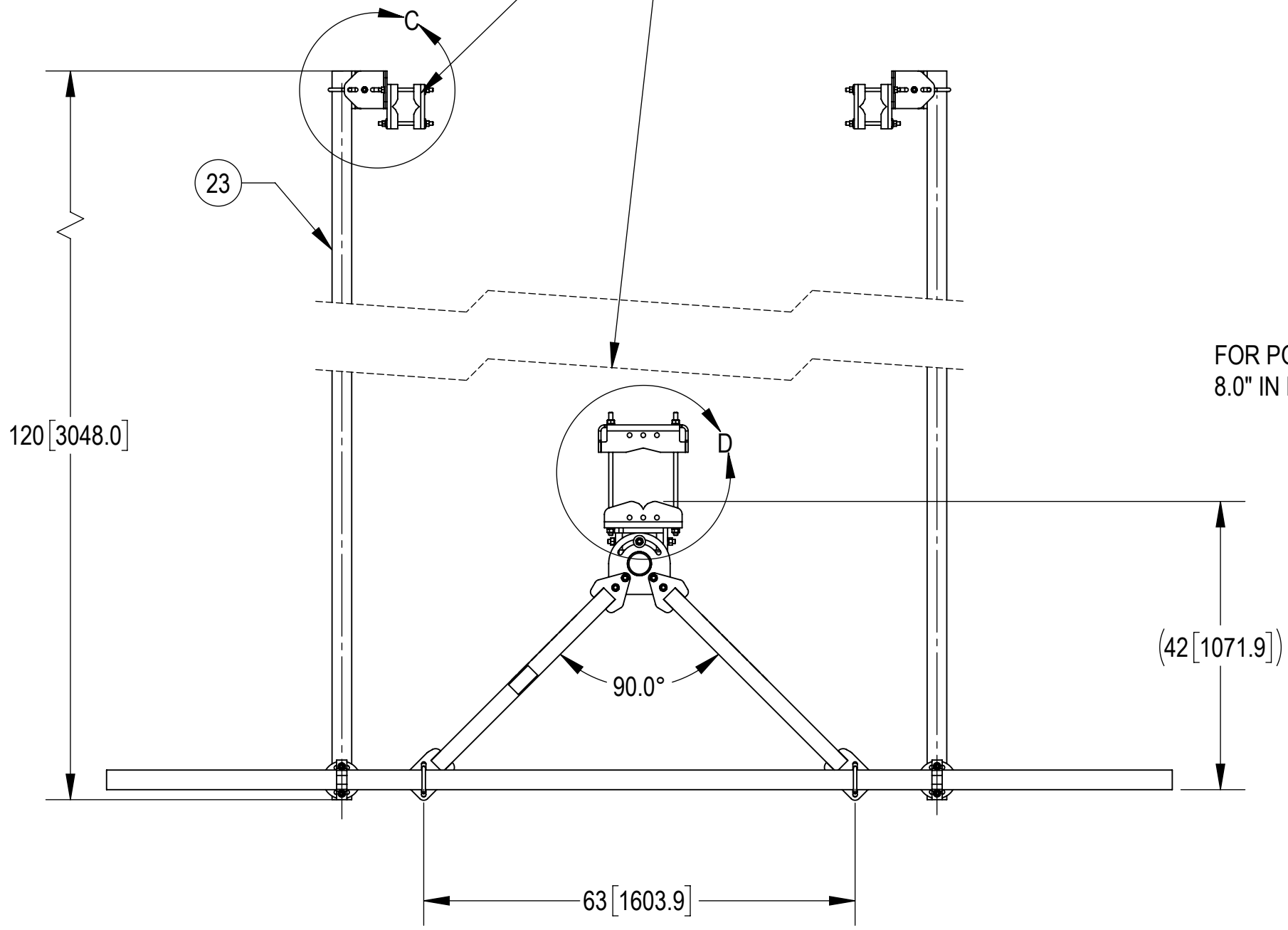
4

3

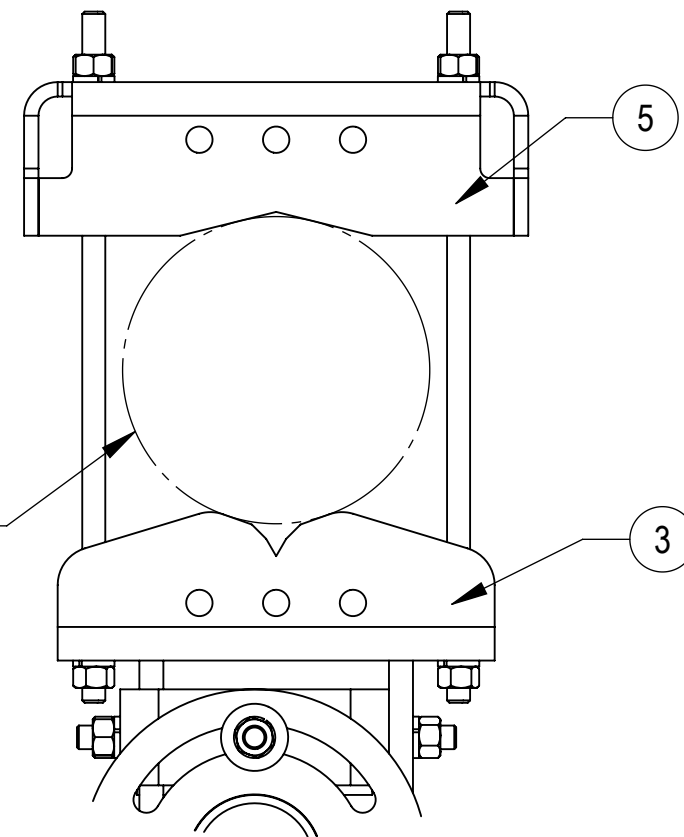
2

1

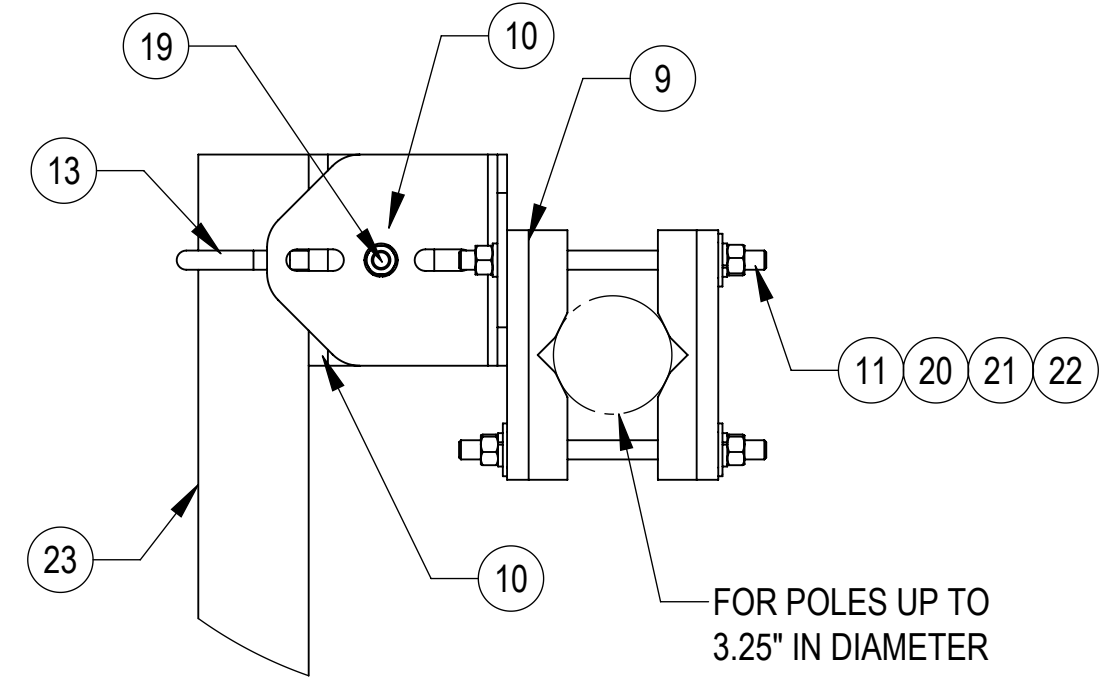
TIEBACK MUST BE CONNECTED TO A RIGID MEMBER THAT PROVIDES ADEQUATE SUPPORT WITHIN THE LIMITS NOTED IN THE TIEBACK ANGLE RANGE DETAIL. UNLESS APPROVED BY ENGINEER OF RECORD. SPINE STEM OF NEIGHBORING MOUNT IS ACCEPTABLE.



FOR POLES UP TO 8.0" IN DIAMETER



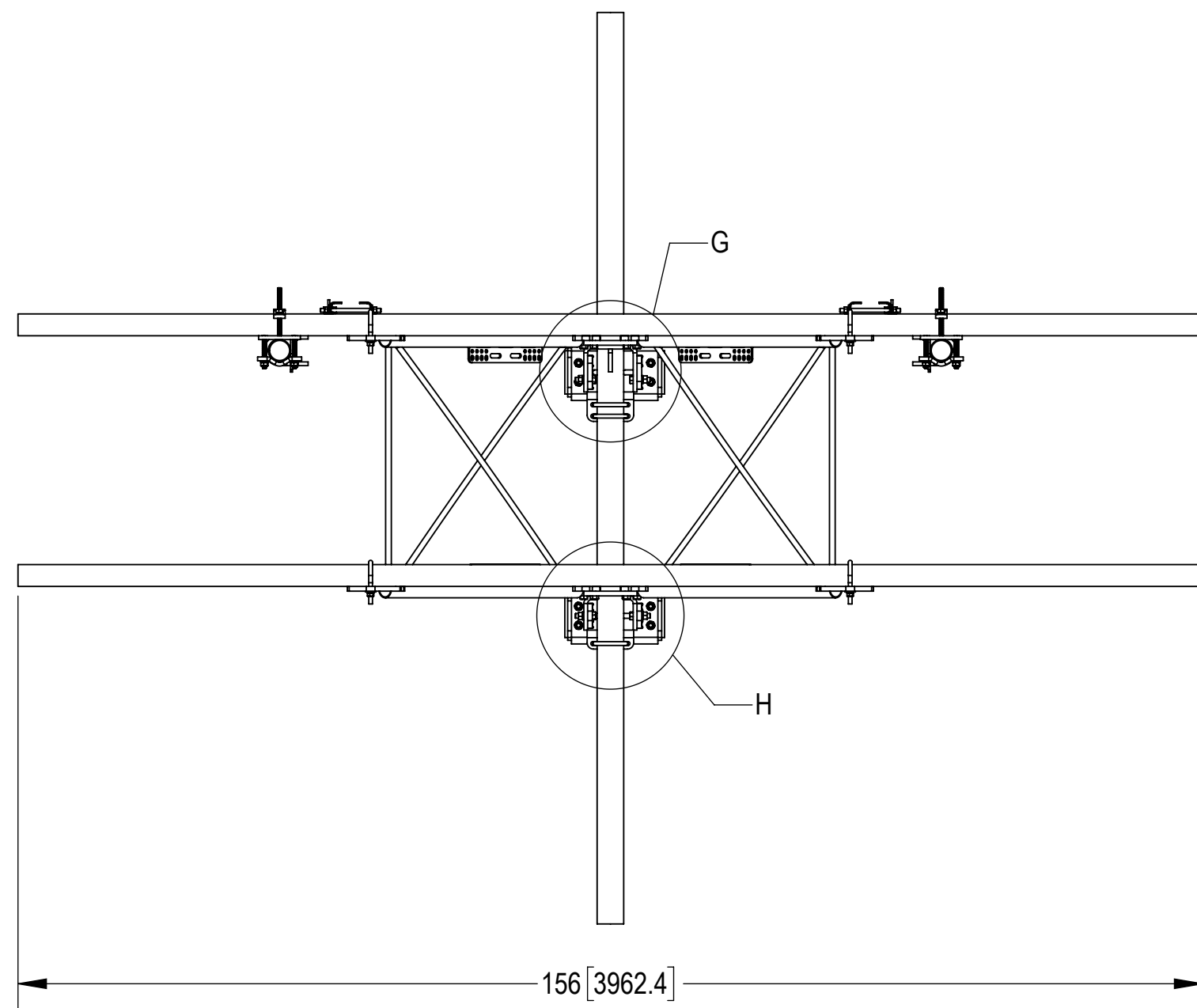
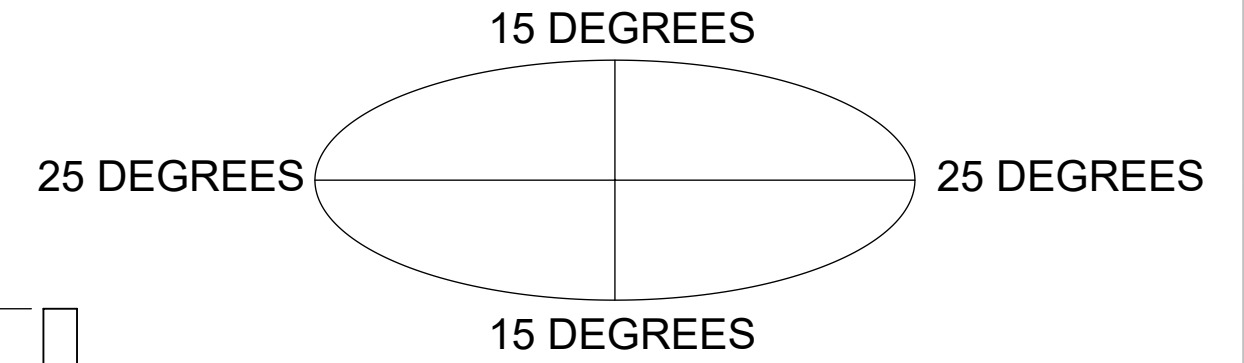
DETAIL D
SCALE 1 : 5



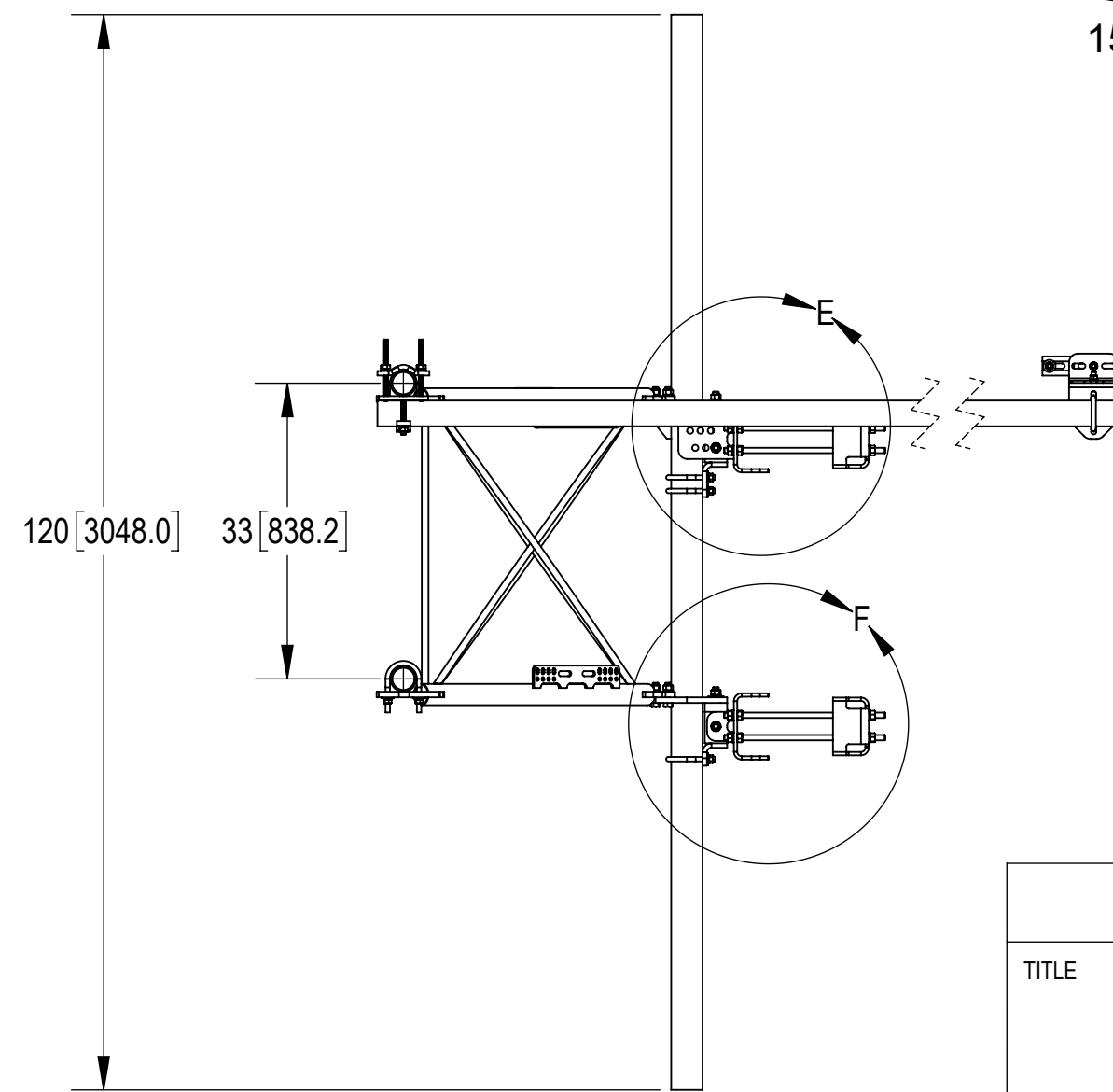
DETAIL C
SCALE 1 : 5

FOR POLES UP TO 3.25" IN DIAMETER

ALLOWABLE TIEBACK ANGLE
± 15 DEGREES VERTICAL
± 25 DEGREES HORIZONTAL



TOP
BOTTOM



COMMSCOPE, INC. OF NORTH CAROLINA				
TITLE SF,13'FP,NOAP				
SIZE C	SCALE 1:20	DOCUMENT NO. SFG22RHDX-13-B		
DRAWING		VERSION	STATUS	REVISION
		01	RE	B
				SHEET 3 OF 6

4

3

2

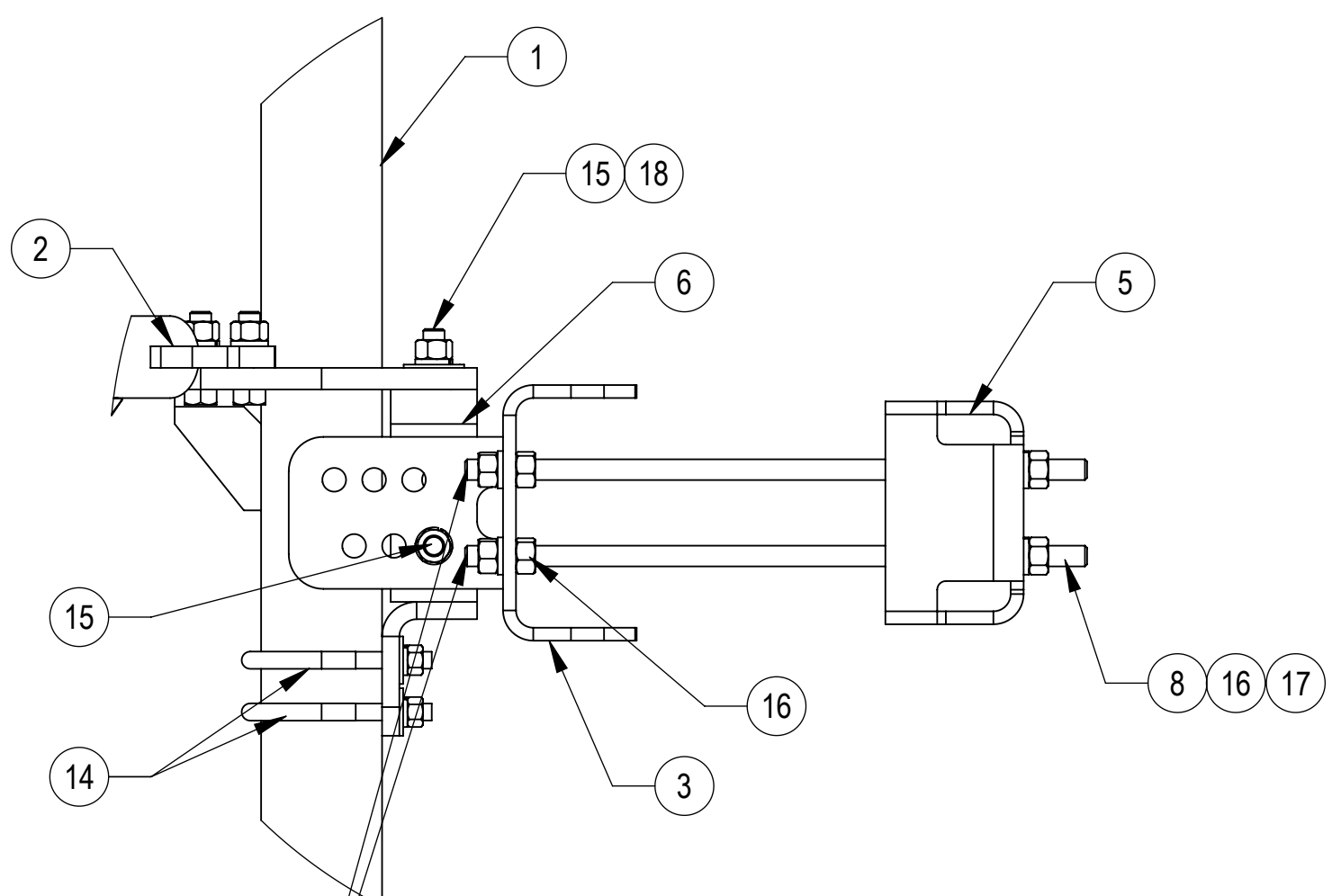
1

4

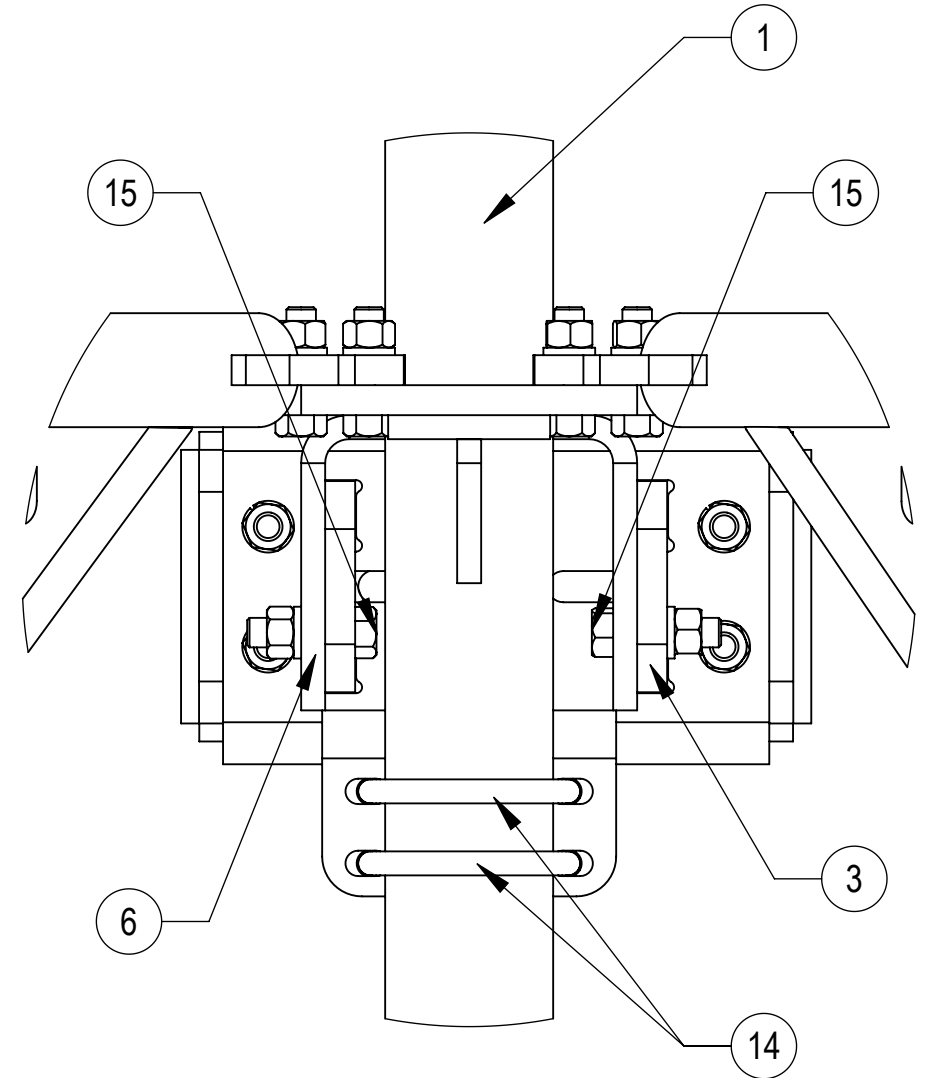
3

2

1

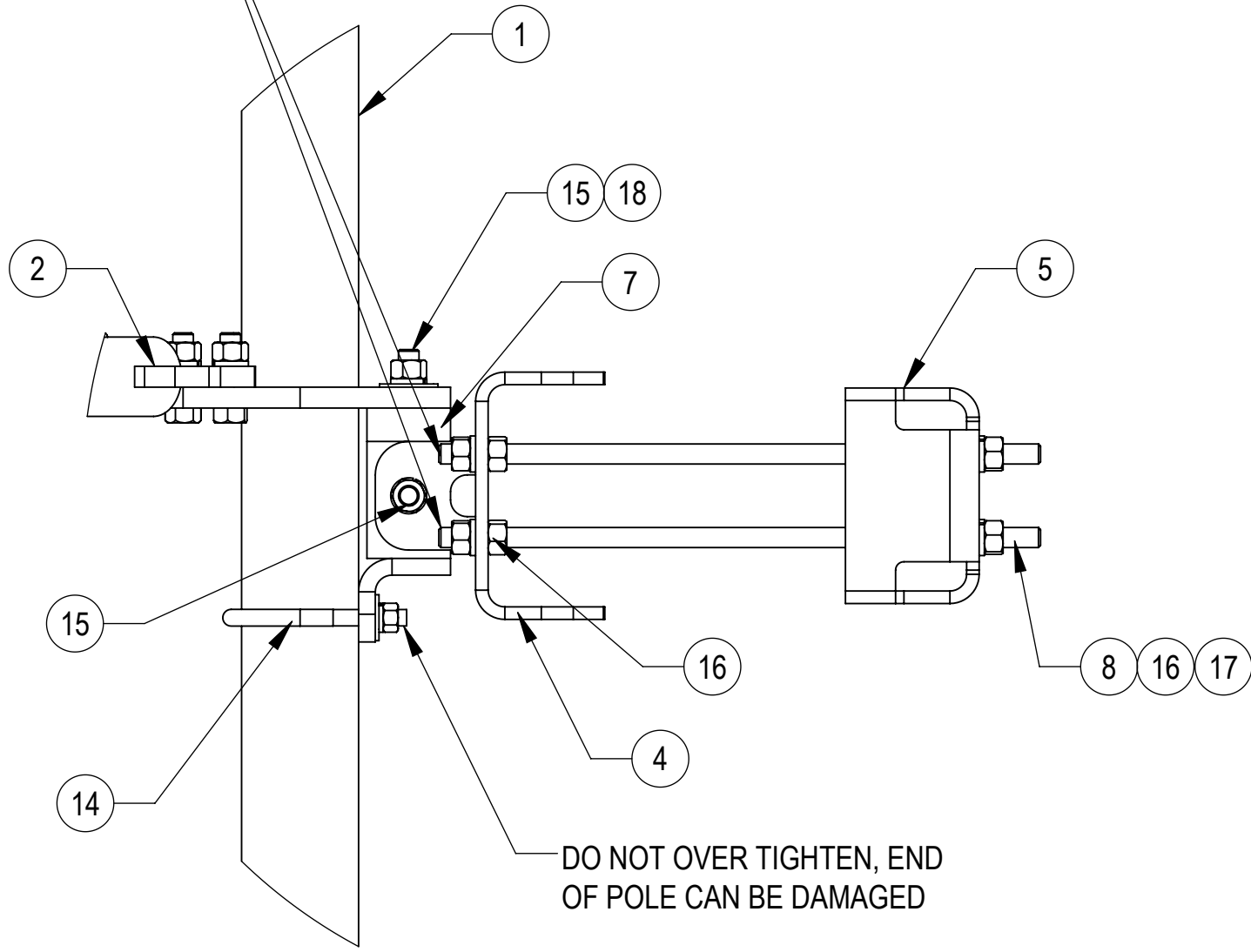


DETAIL E
SCALE 1 : 5



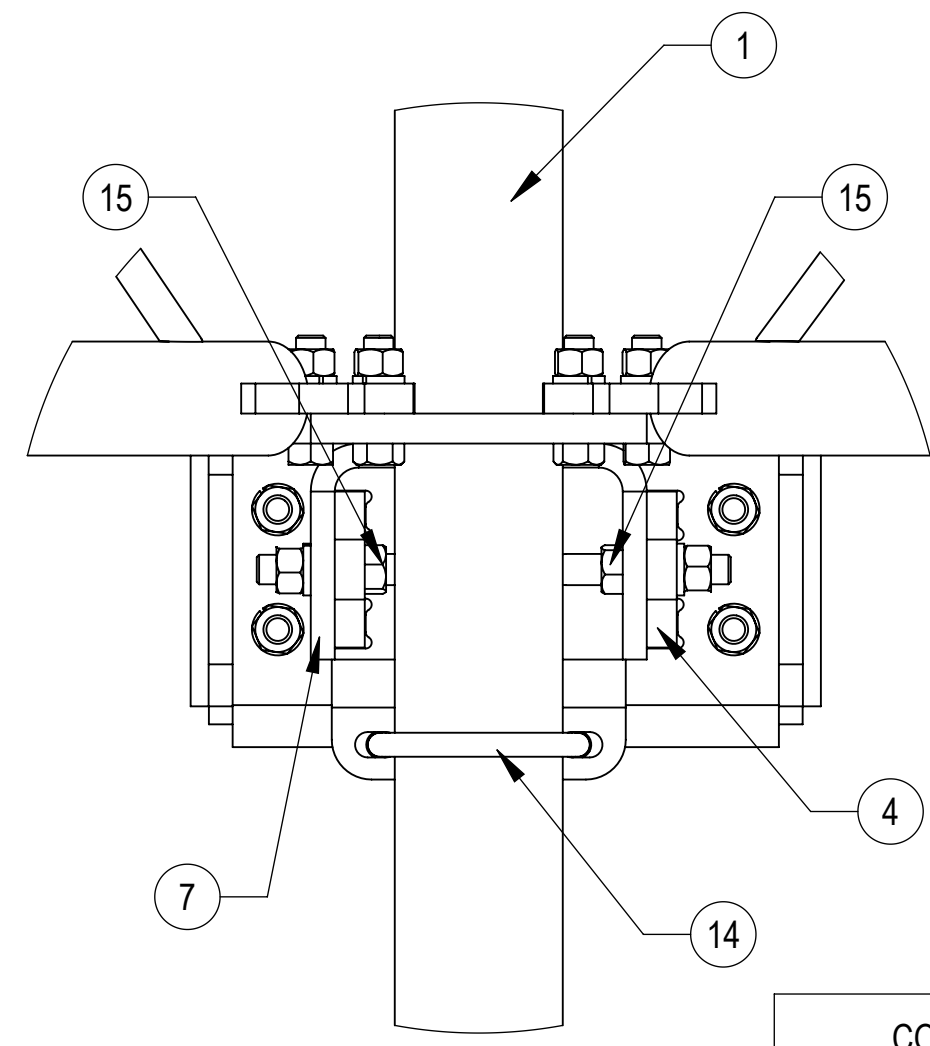
DETAIL G
SCALE 1 : 4

THE THREADED ROD CAN ONLY EXPOSE 4 TO 7 THREADS ON ONE SIDE OF THE BRACKET, WHICH IS TO PREVENT INTERFERENCE WITH THE SIDE BOLTS



DETAIL F
SCALE 1 : 5

DO NOT OVER TIGHTEN, END OF POLE CAN BE DAMAGED



DETAIL H
SCALE 1 : 4

COMMSCOPE, INC. OF NORTH CAROLINA				
TITLE				
SF,13'FP,NOAP				
SIZE	SCALE	DOCUMENT NO.		
C	1:20	SFG22RHDH-13-B		
		DRAWING		SHEET
		VERSION	STATUS	REVISION
		01	RE	B
				4 OF 6

4

3

2

1

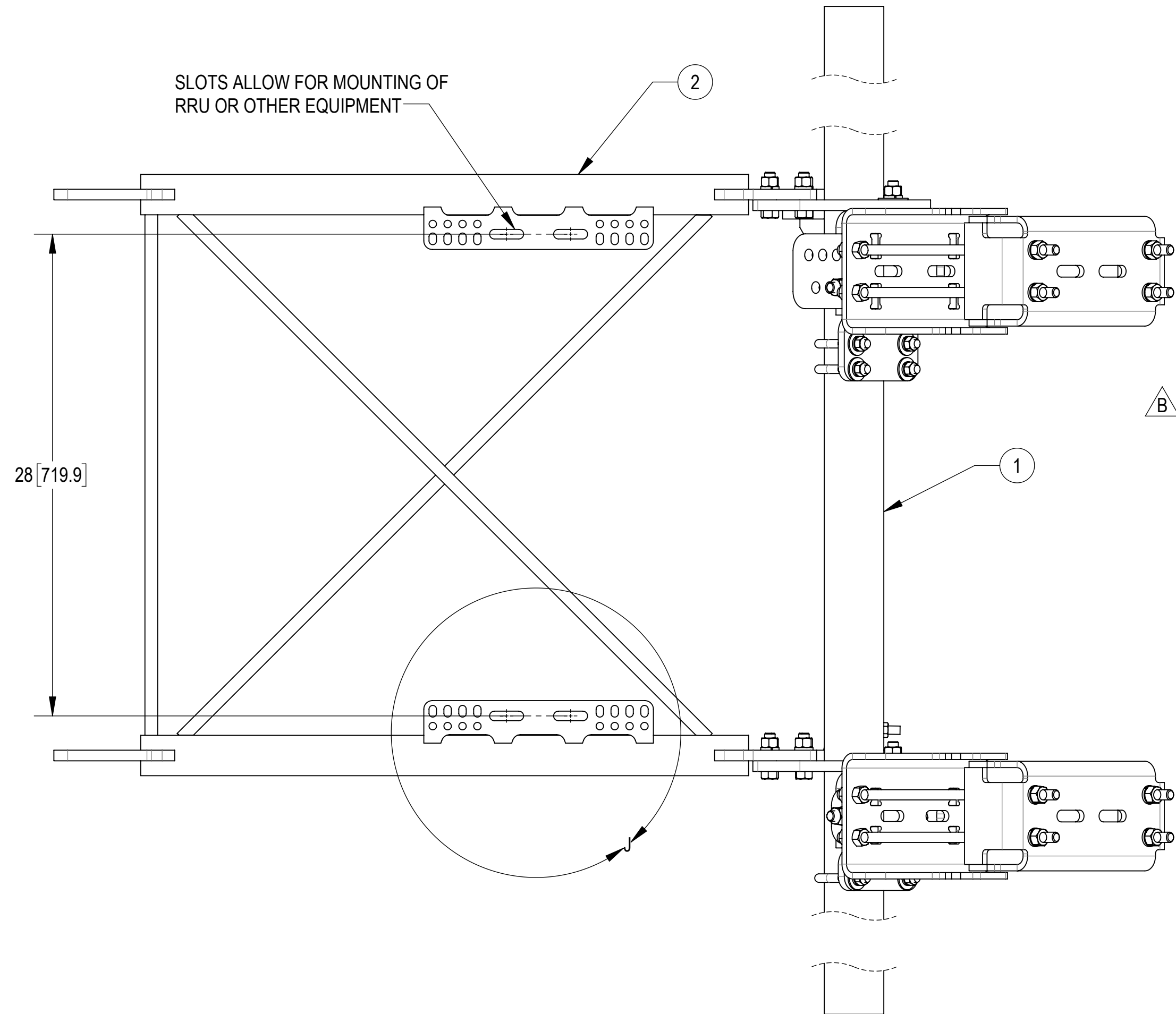
4

3

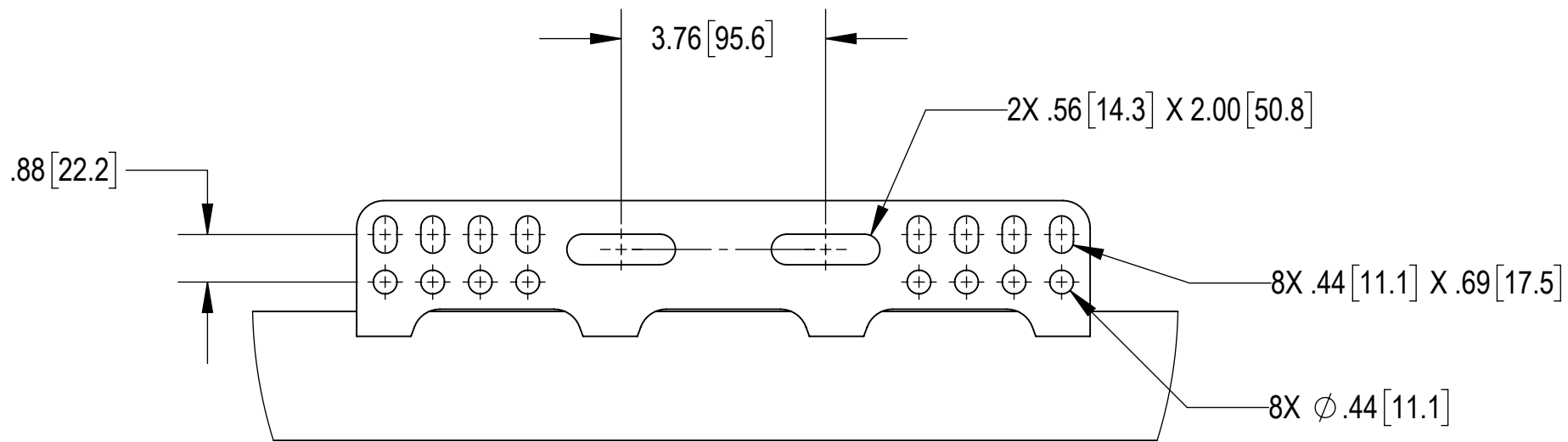
2

1

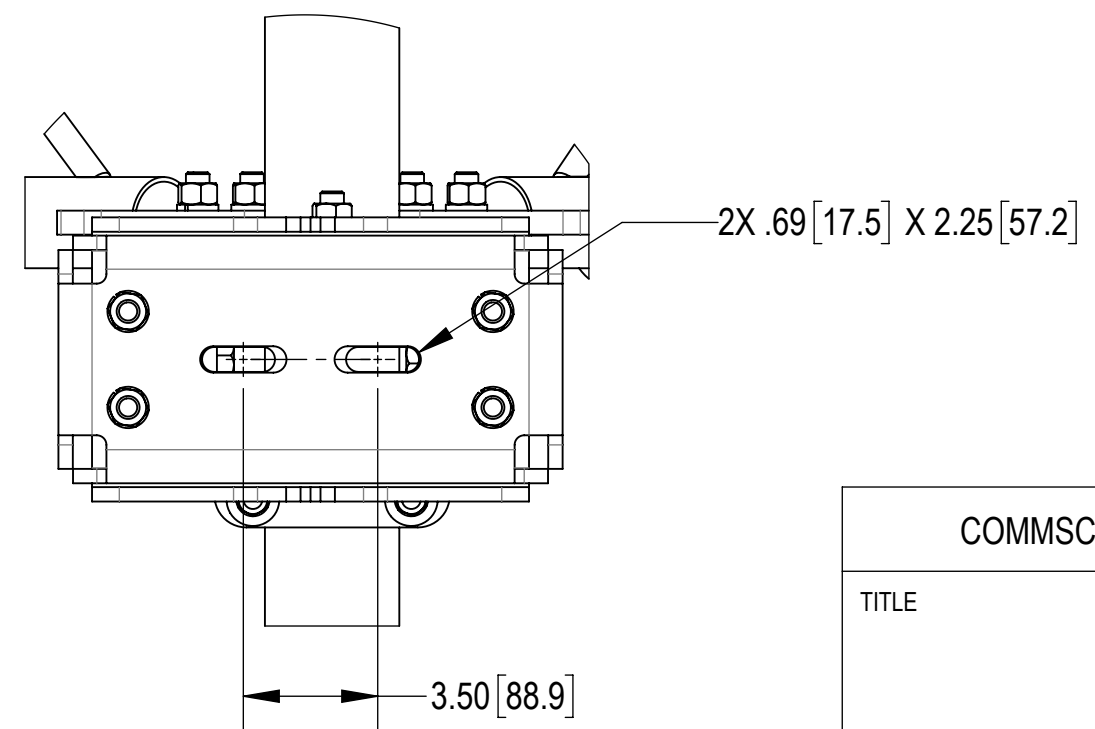
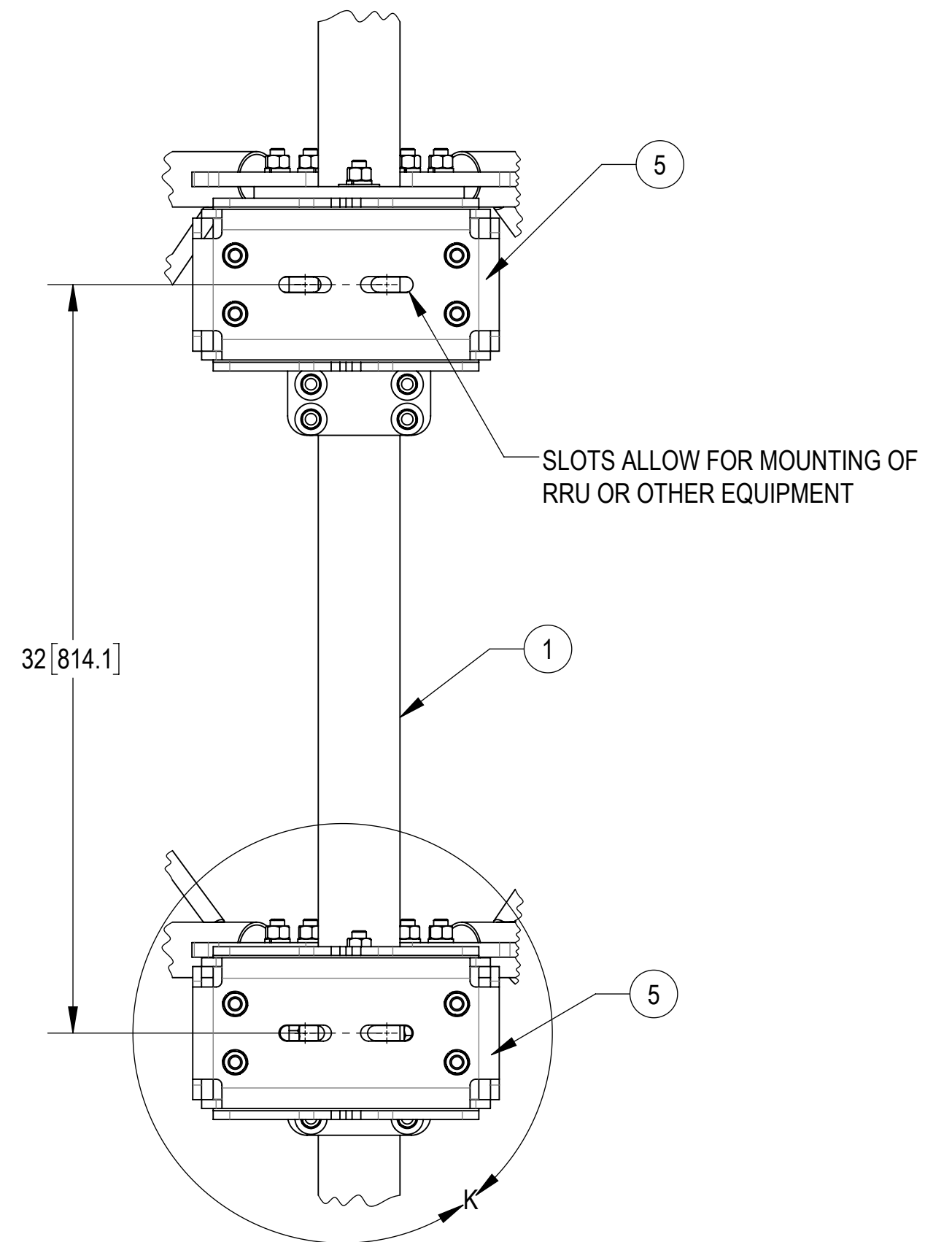
SLOTS ALLOW FOR MOUNTING OF RRU OR OTHER EQUIPMENT



SIDE VIEW



DETAIL J
SCALE 1 : 3
2 PLACES



DETAIL K
SCALE 1 : 5
2 PLACES

© 2024 CommScope, Inc. Confidential

COMMSCOPE, INC. OF NORTH CAROLINA

TITLE					SF,13'FP,NOAP	
SIZE	SCALE	DOCUMENT NO.				
C	1:6	SFG22RHDY-13-B				
		DRAWING			SHEET	
		VERSION	STATUS	REVISION	5 OF 6	
		01	RE	B		

4

3

2

1

4

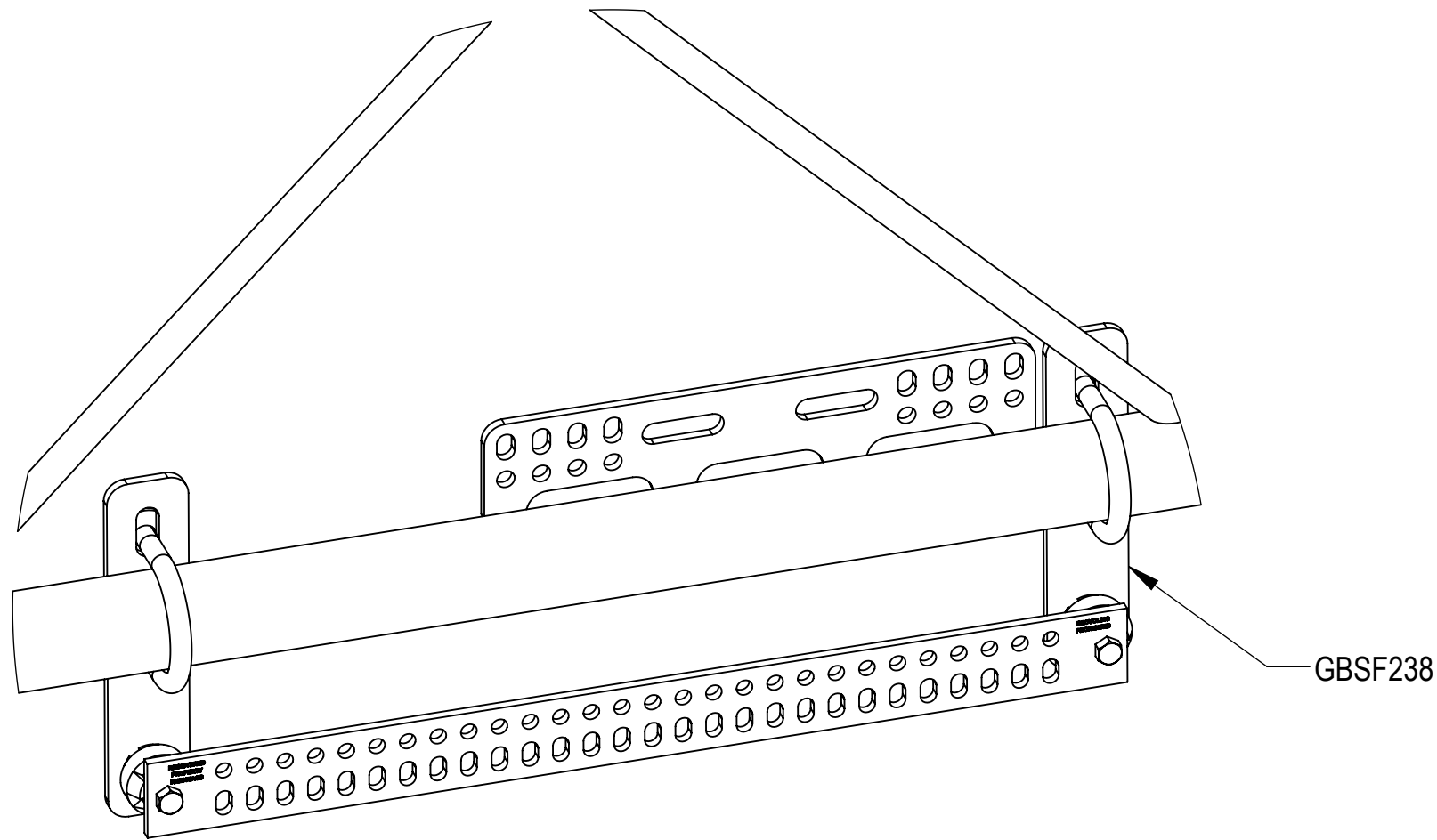
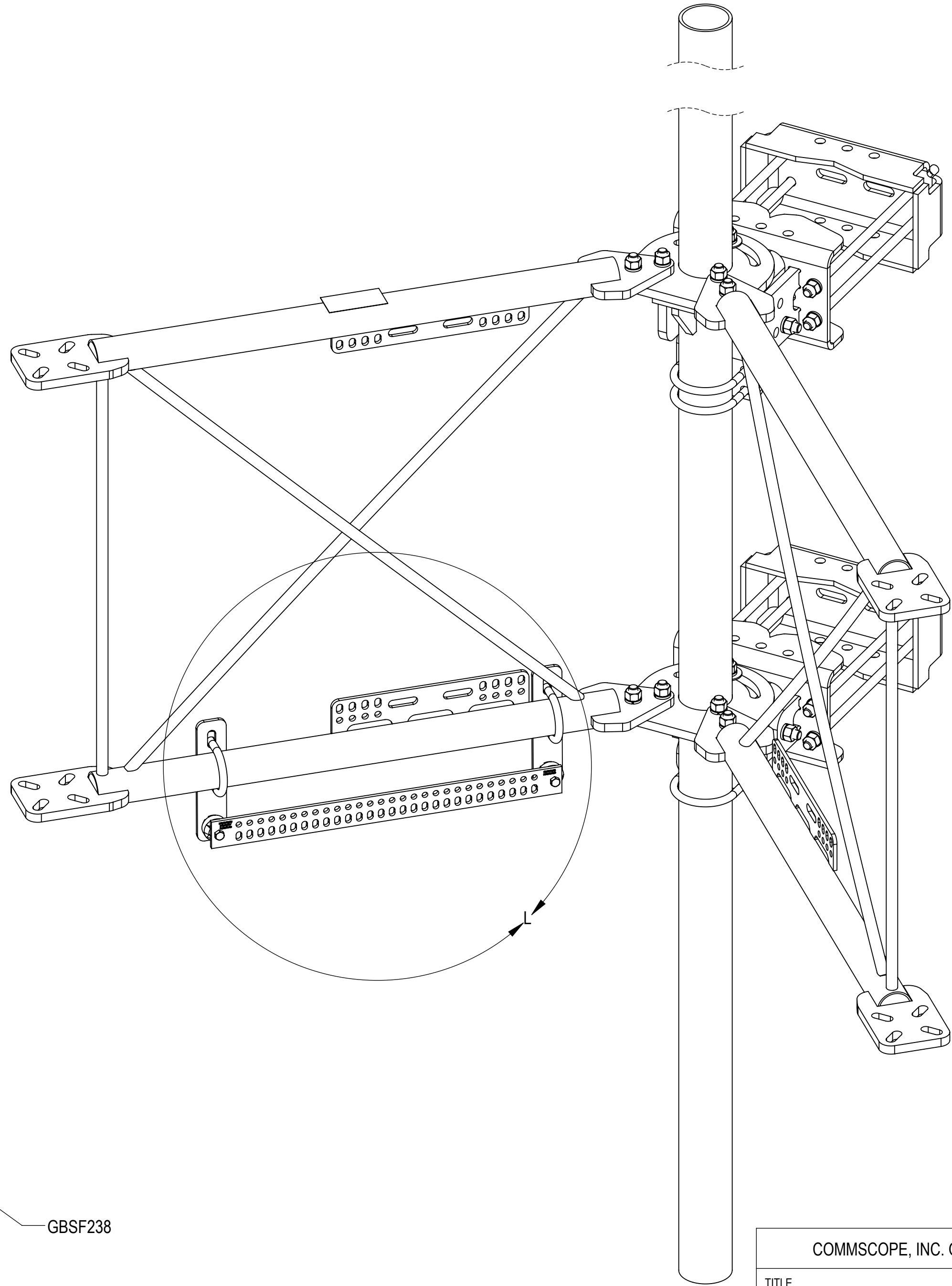
3

2

1

OPTIONAL ACCESSORIES:

BUS BAR MOUNT KIT GBSF238 IS WELL SUITED TO BE USED SHOULD THE NEED ARISE
NOTE THAT THIS KIT DOES NOT INCLUDE THE ISOLATORS OR BUS BAR



DETAIL L
SCALE 1:4

ISO VIEW

COMMSCOPE, INC. OF NORTH CAROLINA

TITLE
SF,13'FP,NOAP

SIZE C	SCALE 1:6	DOCUMENT NO. SFG22RHDX-13-B		
------------------	---------------------	---------------------------------------	--	--

	DRAWING			SHEET 6 OF 6
	VERSION 01	STATUS RE	REVISION B	

4

3

2

1

D

D

C

C

B

B

A

A