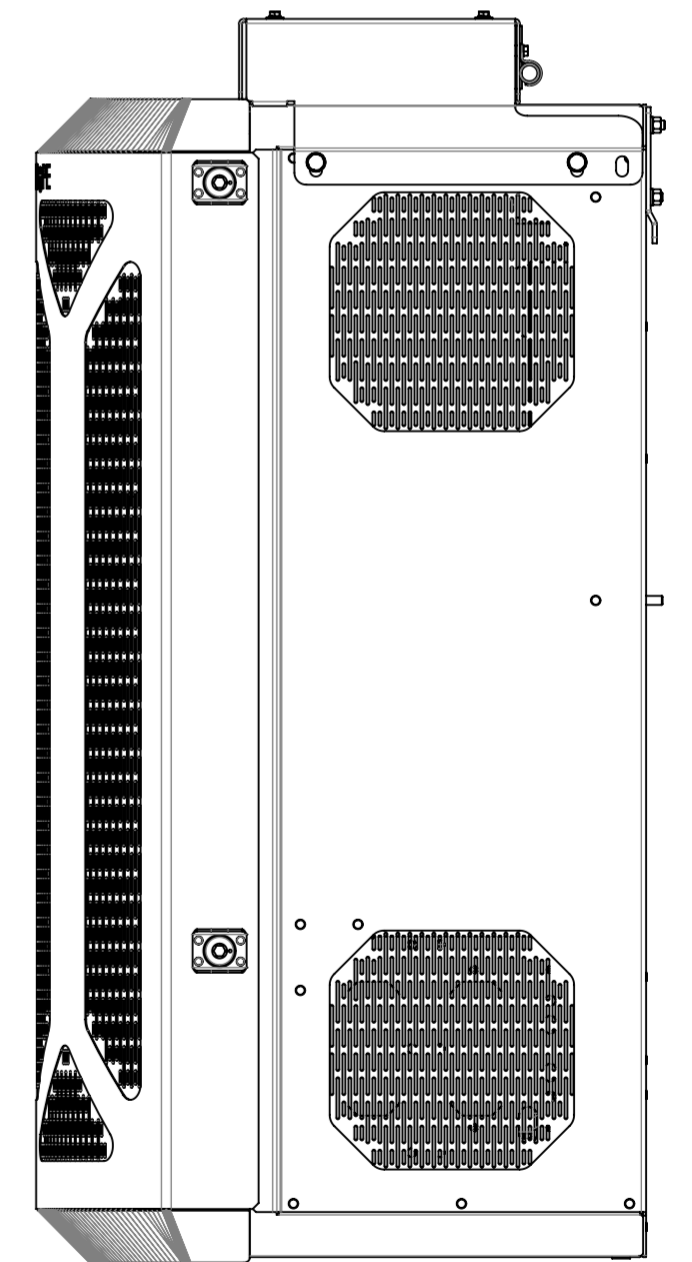
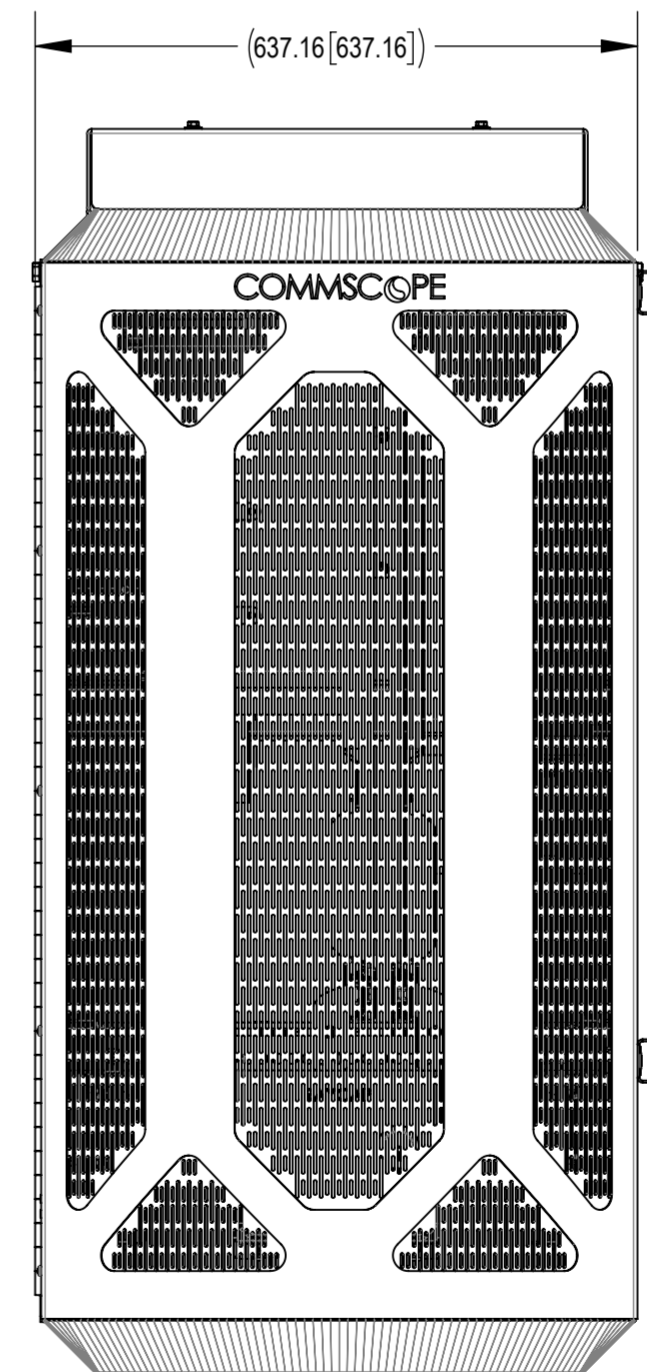
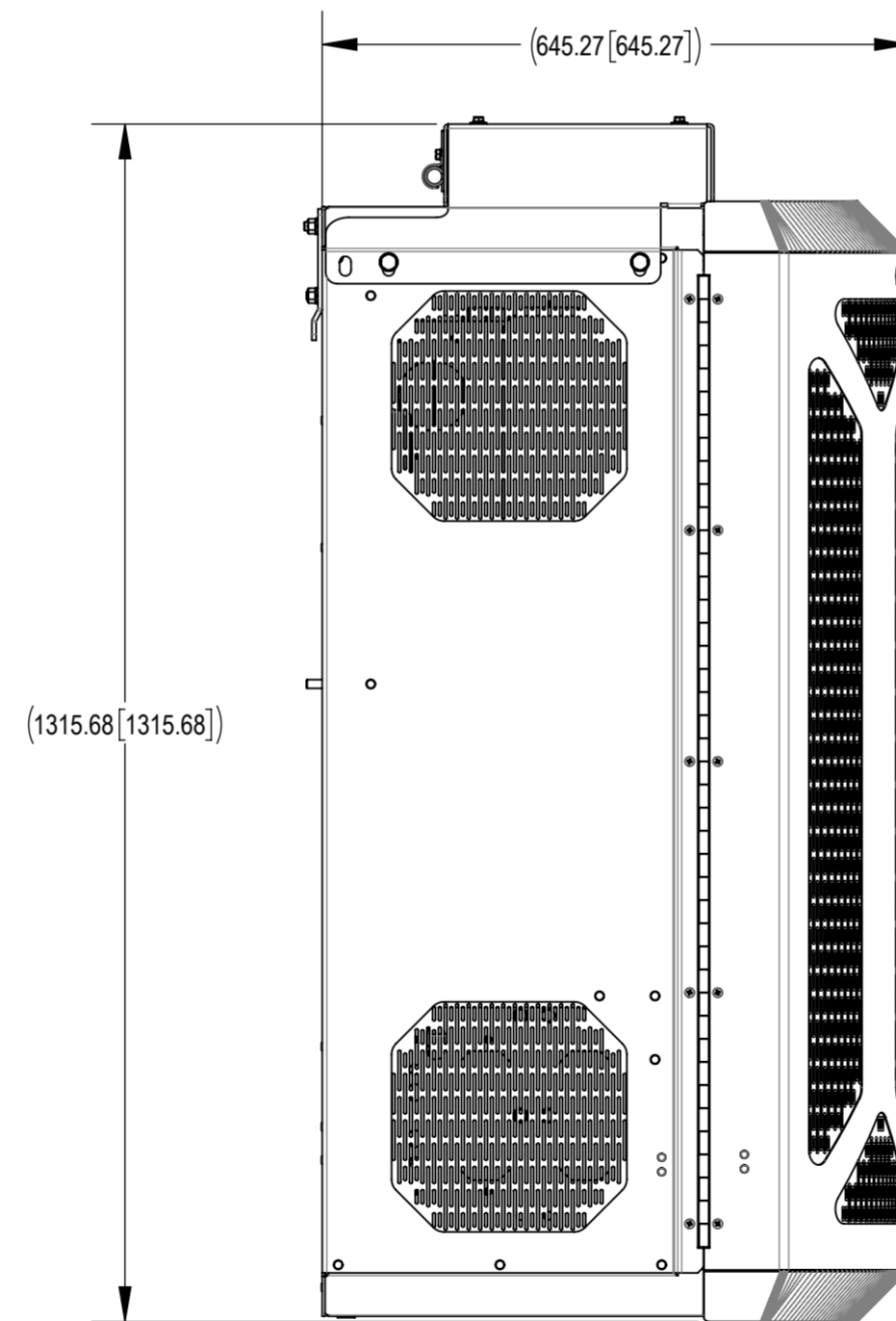
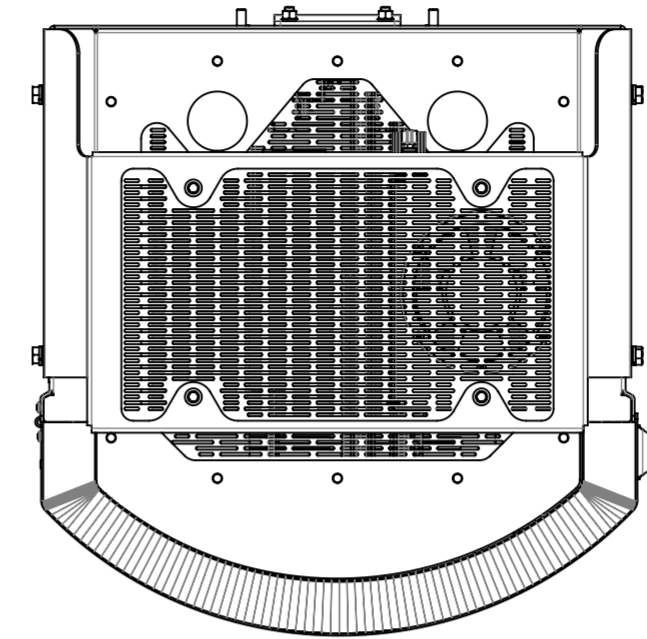
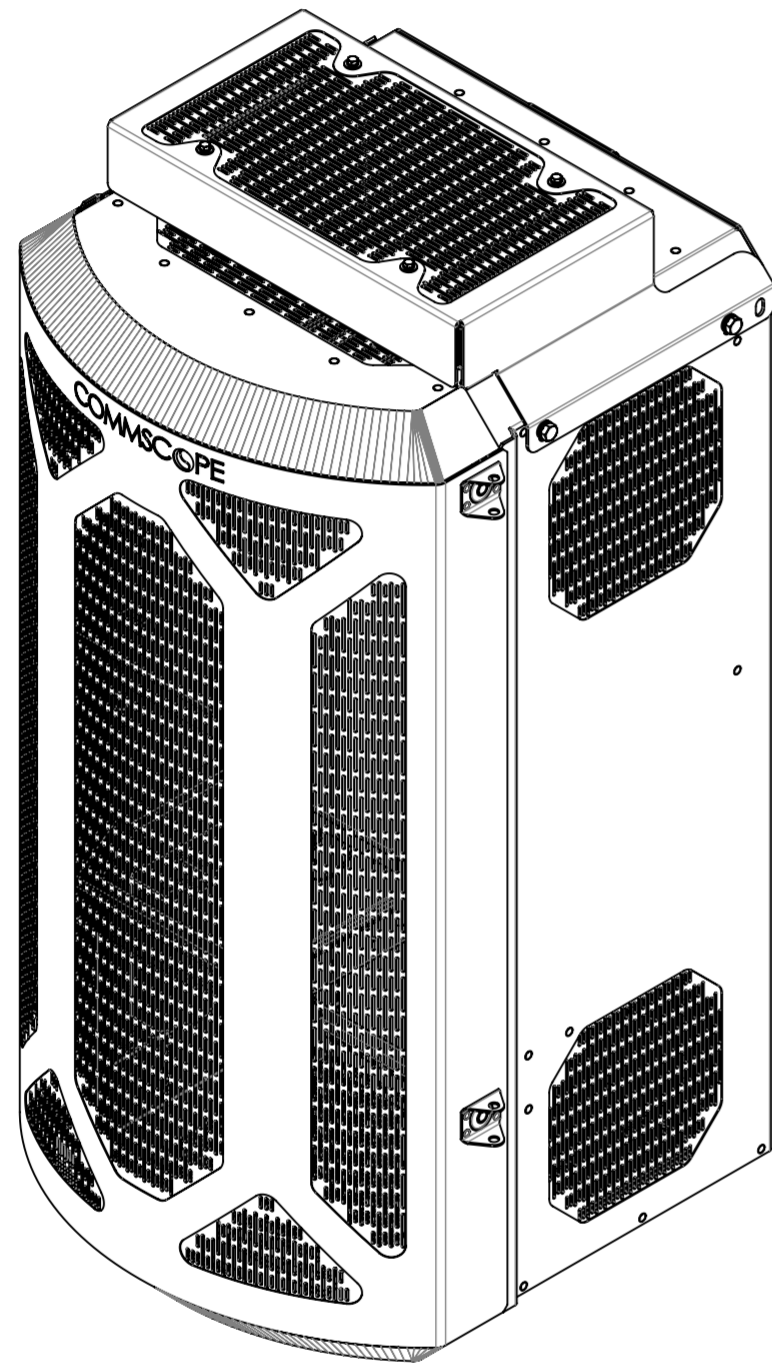


860661736-MV2-C09-INSTALL INSTALLATION INSTRUCTION

MV2 RADIO ENCLOSURE - ERICSSON VERSION



REVISIONS			
REV.	DESCRIPTION	DATE	APPROVED
A	INITIAL RELEASE	YC1059 17MAY24	WQ1001 40193860CMO

This table show the evolution and history of document from initial to current version.

Further information regarding CommScope's commitment can be found at www.commscope.com/About-Us/Corporate-Responsibility-and-Sustainability.
 Visit our website or contact your local CommScope representative for more information.
 This product is covered by one or more U.S. patents or their foreign equivalents. For patents, see www.commscope.com/ProductPatent/ProductPatent.aspx

Installation Instructions

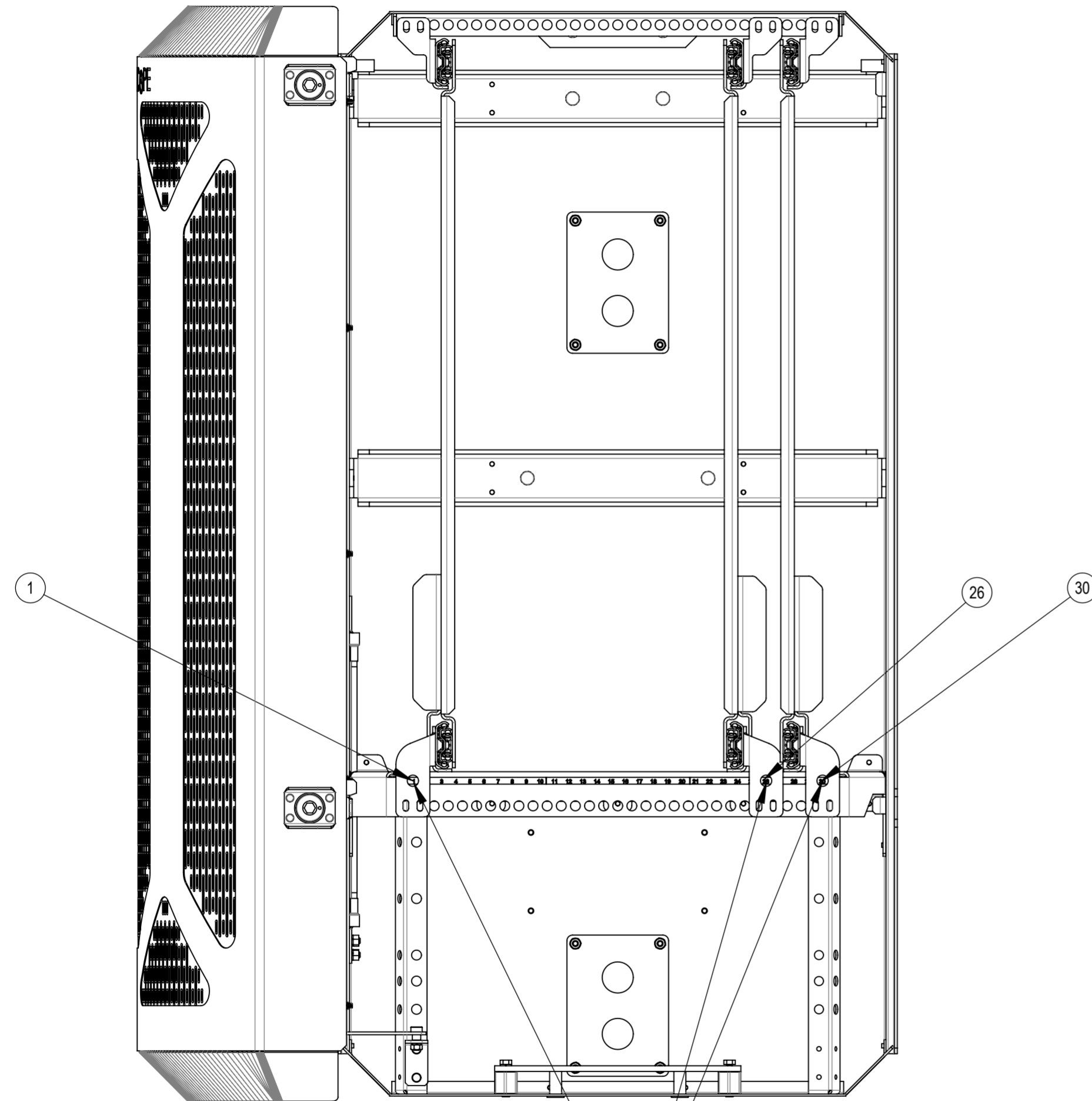


- 1.0 GENERAL NOTES
 - 1.1 ALL DIMENSIONS ARE IN MM, IMPERIAL DIMENSIONS ARE IN INCHES AND SHOWN IN BRACKETS [X.X]
- 2.0 DESIGN NOTES
- 3.0 MANUFACTURING/SPECIAL REQUIREMENTS
 - 3.1 TIGHTEN HARDWARES, TORQUE VALUE ARE SHOWN BELOW AS REFERENCE,
 - M4: TORQUE 19.50 IN-LB OR 2.2 N-M
 - M5: TORQUE 23.0 IN-LB OR 2.6 N-M
 - M6: TORQUE 40.0 IN-LB OR 4.5 N-M (W/ CLIP NUT)
 - M6: TORQUE 46.0 IN-LB OR 5.2 N-M (W/ THREADED CAST AL)
 - M8: TORQUE 6.6 FT-LB OR 9.0 N-M (W/ THREADED CAST AL)
 - M10: TORQUE 16.2 FT-LB OR 22 N-M (W/ THREADED CAST AL)
 - 1/4-20: TORQUE 4.8 FT-LB OR 6.6 N-M

- 3.2 CONFIGURATIONS AND QUANTITY OF EQUIPMENTS IN INSTALLATION ARE LISTED ON TABLE.
- 3.3 EQUIPMENT INSTALLATION INSTRUCTION ON PAGE 2.

CONFIGURATION	3.2 APPROVED ERICSSON RADIO CONFIGURATIONS									
	8843	4435	4449	4478	4890	AC08	6308	6304	QUAD DIPLEXER SDX1926Q-43	RAYCAP "RSCAC SERIES"
1		1		1	1	3			1	1
2		1	1		1	3			1	1
3		1		1	1		1		1	1
4		1	1		1		1		1	1
5		1		1	1			2	1	1
6		1	1		1			2	1	1

BASE ENCLOSURE SHOW



LEFT EQUIPMENT
CENTER OR REAR

RIGHT EQUIPMENT
CENTER OR REAR

CENTER EQUIPMENT
FRONT, AND/OR REAR

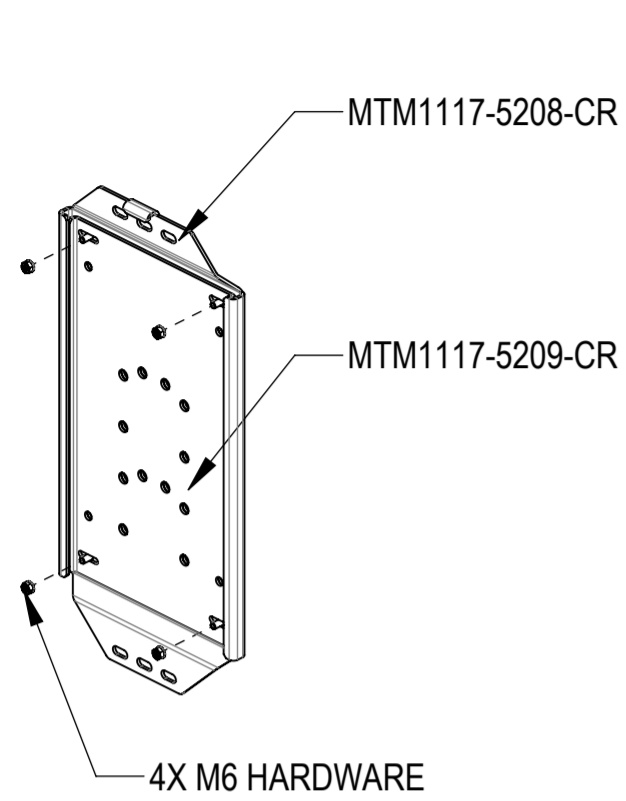
BASE ENCLOSURE ARE SHIPPED WITH 3 SLIDE PANELS

CONFIGURE SLIDE PANELS PER EQUIPMENT CONFIGURATION

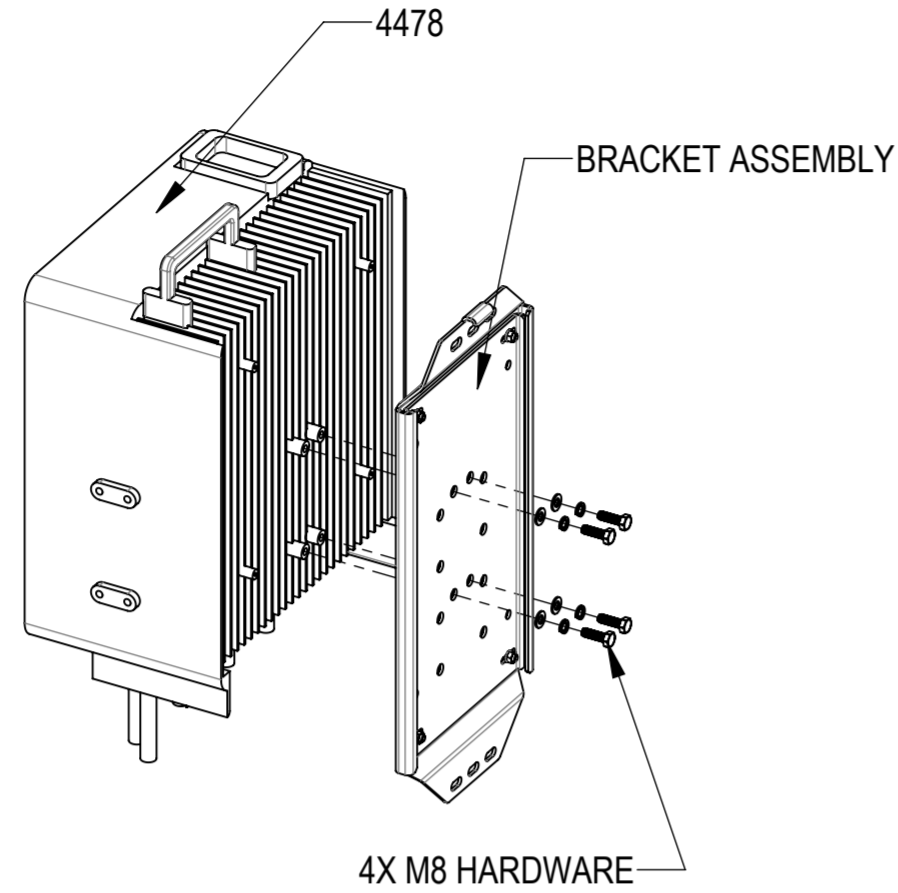
Installation Instructions

COMMSCOPE®

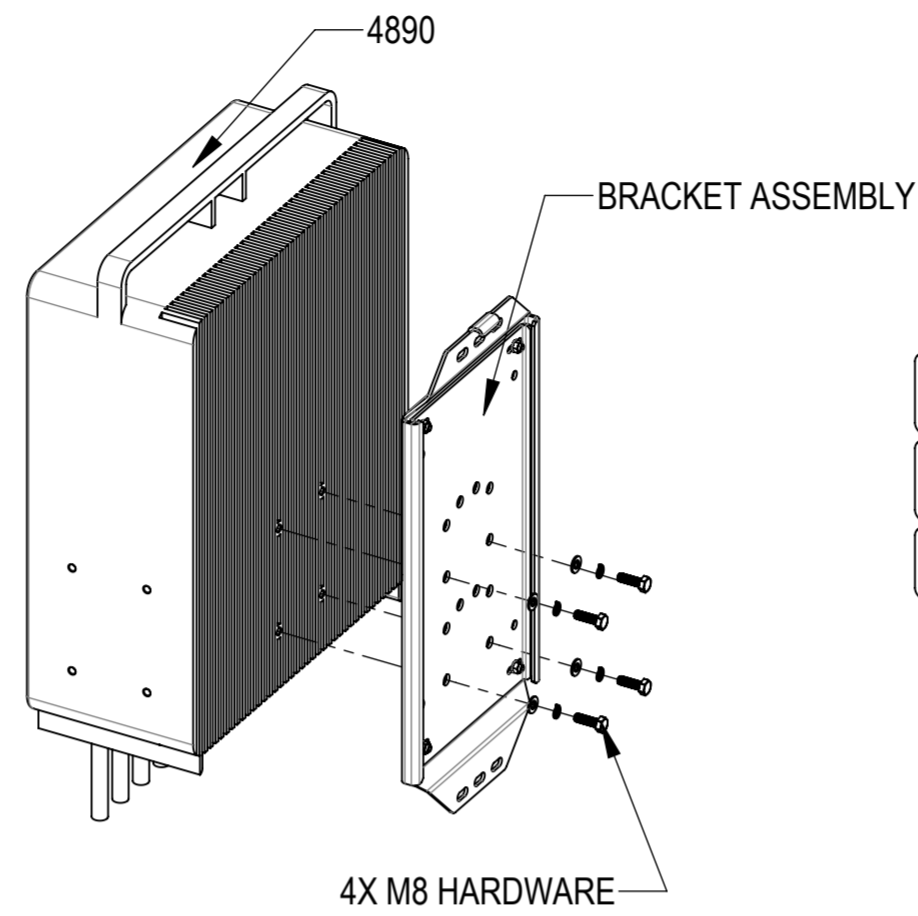
EQUIPMENT MOUNTING INSTALLATION



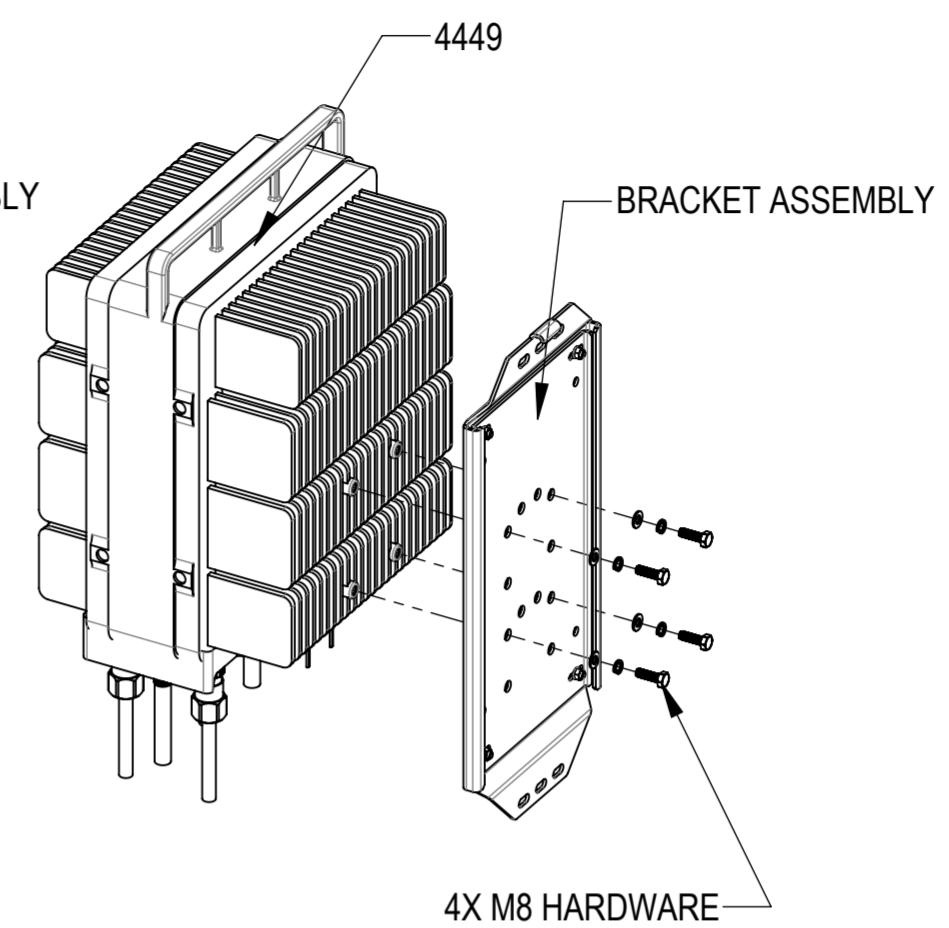
BRACKET ASSEMBLY
INSTALL THE MOUNTING BRACKETS MTM1117-5208-CR AND MTM1117-5209-CR USING 4 SETS OF M6 HEX LOCK NUTS, ALIGN CIRCULAR HOLES



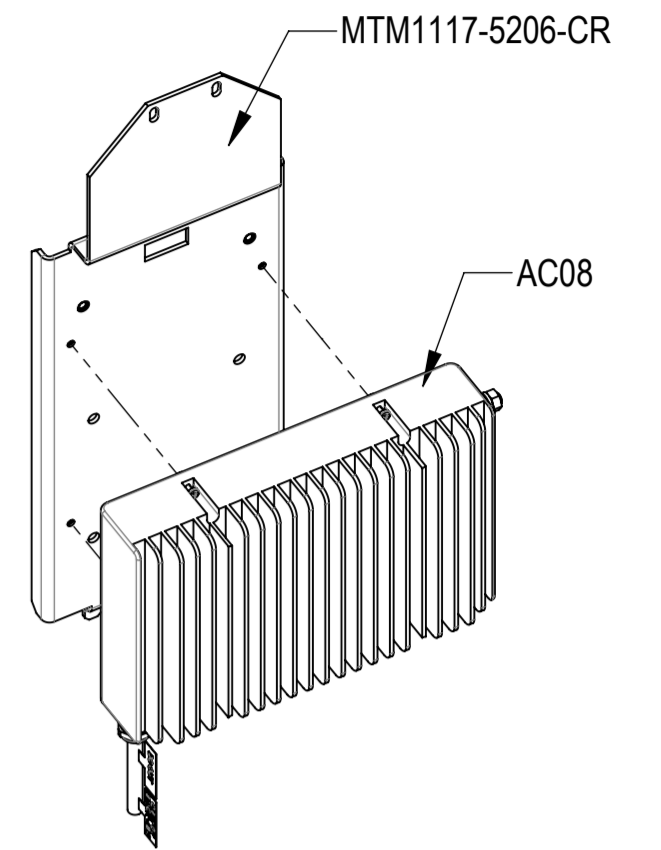
4478:
INSTALL THE RADIO 4478 TO THE BRACKET ASSEMBLY USING 4 SETS OF M8 HEX BOLTS, LOCK AND FLAT WASHERS AS SHOWN



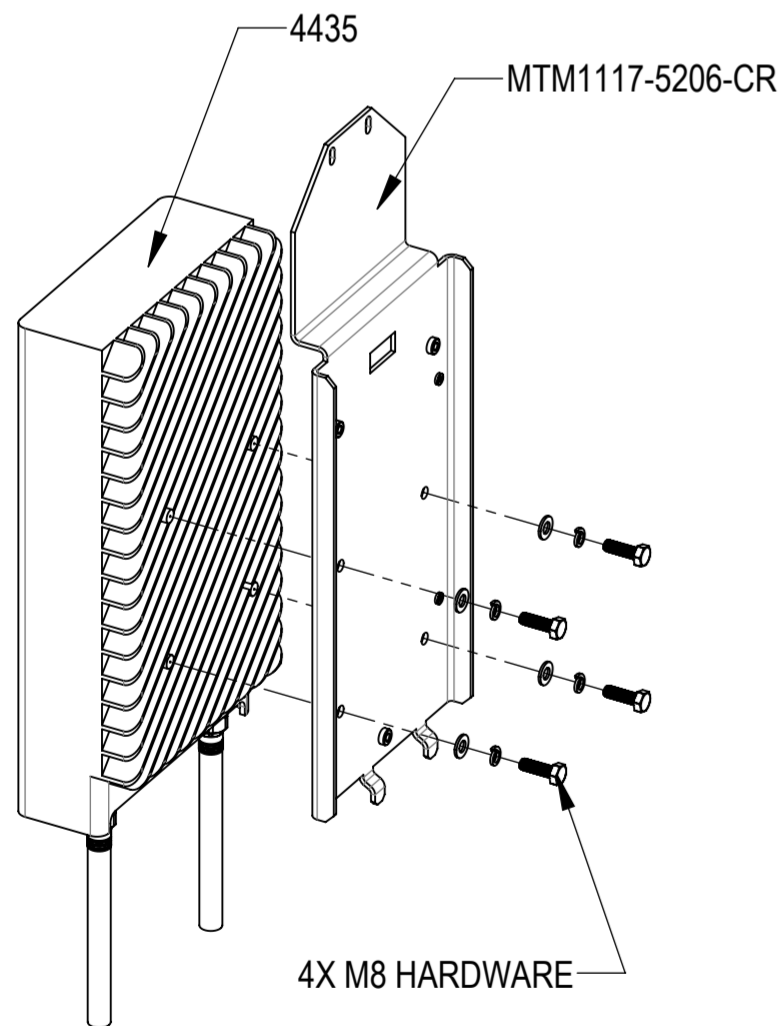
4890:
INSTALL THE RADIO 4890 TO THE BRACKET ASSEMBLY USING 4 SETS OF M8 HEX BOLTS, LOCK AND FLAT WASHERS AS SHOWN



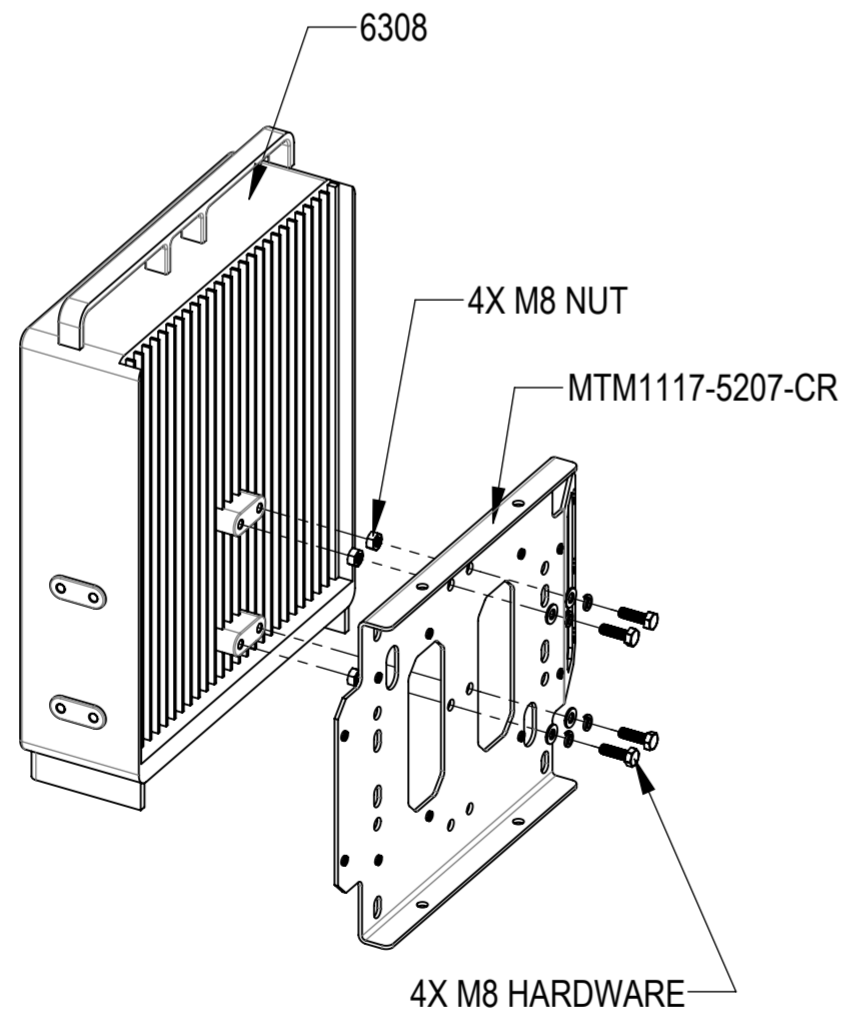
4449:
INSTALL THE RADIO 4449 TO THE BRACKET ASSEMBLY USING 4 SETS OF M8 HEX BOLTS, LOCK AND FLAT WASHERS AS SHOWN



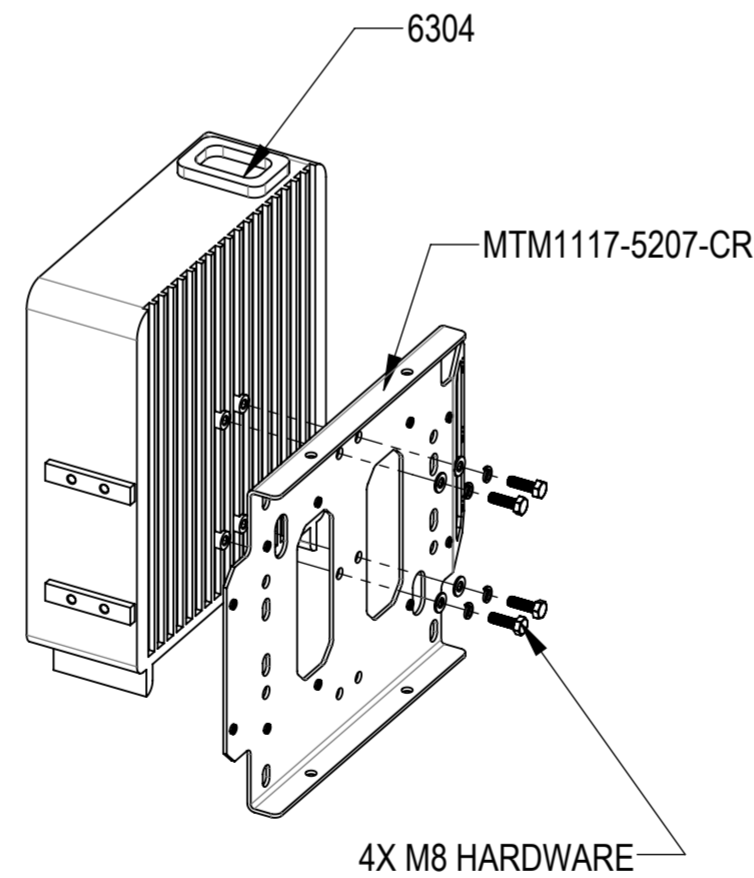
AC08 (TOP):
INSTALL THE PSU AC08 TO THE MOUNTING BRACKET MTM1117-5206-CR USING 4 SETS OF M4 CAPTIVE HARDWARE PROVIDED WITH THE PSU AC08



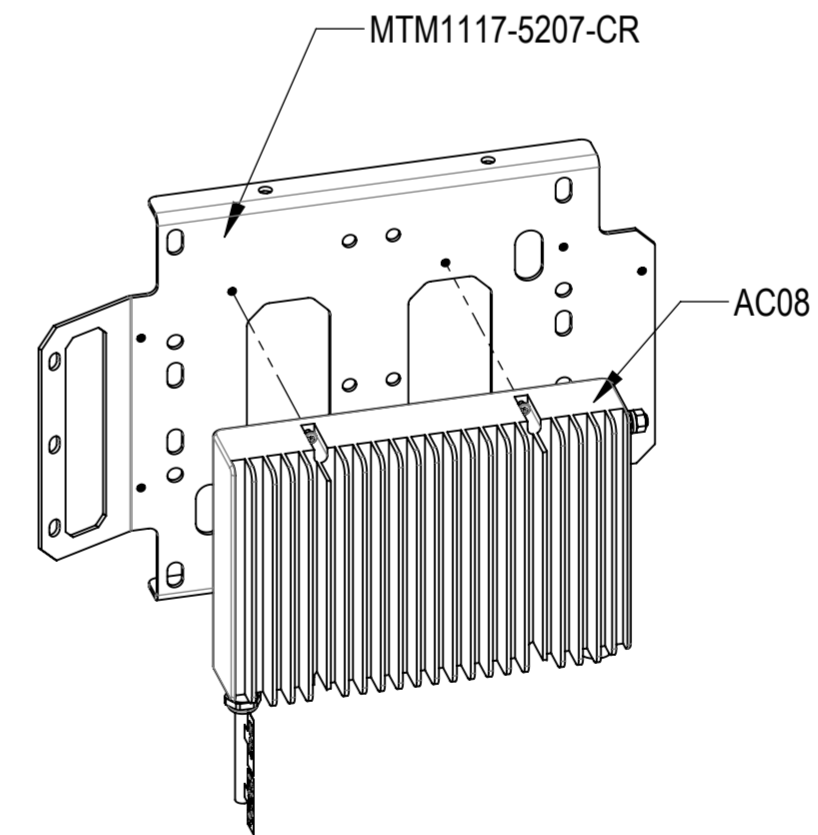
4435:
INSTALL THE RADIO 4890 TO THE MOUNTING BRACKET MTM1117-5206-CR USING 4 SETS OF M8 HEX BOLTS, LOCK AND FLAT WASHERS AS SHOWN



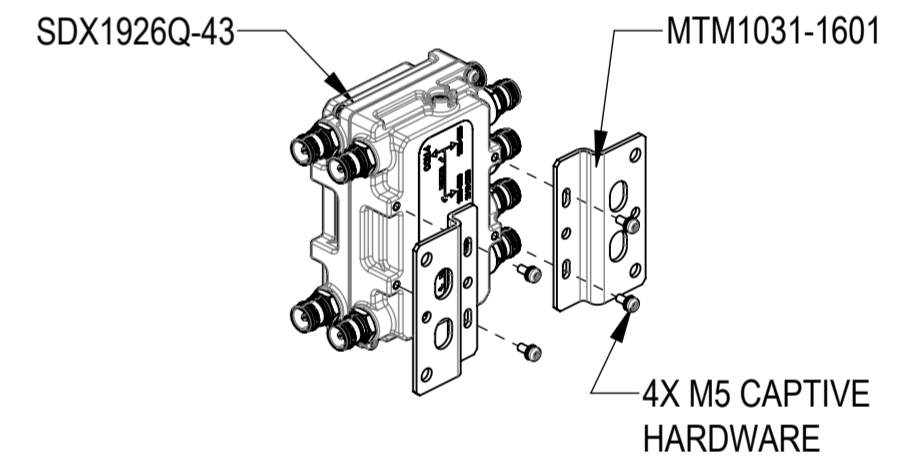
6308:
INSTALL THE PSU 6308 TO THE MOUNTING BRACKET MTM1117-5207-CR USING 4 SETS OF M8 HEX BOLTS, NUTS, LOCK AND FLAT WASHERS AS SHOWN



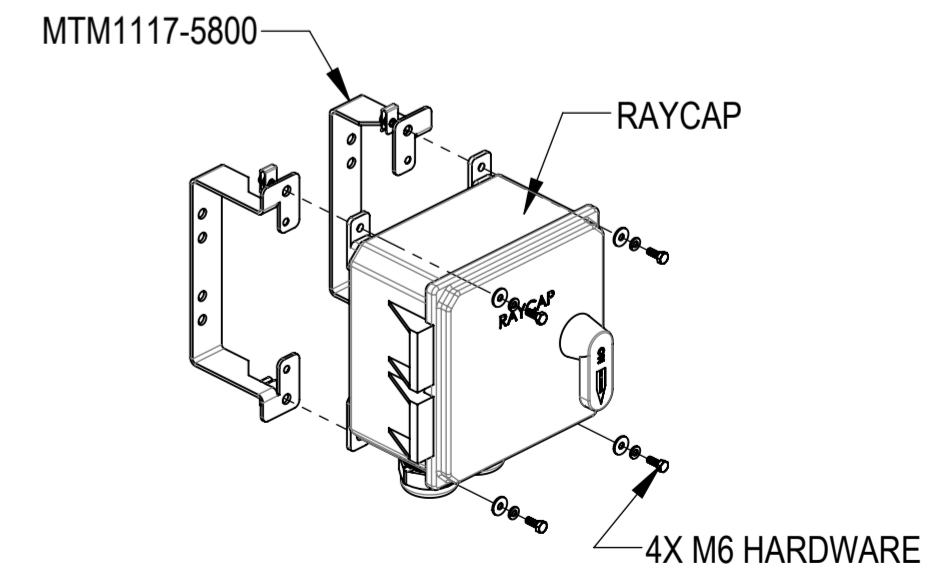
6304:
INSTALL THE PSU 6304 TO THE MOUNTING BRACKET MTM1117-5207-CR USING 4 SETS OF M8 HEX BOLTS, LOCK AND FLAT WASHERS AS SHOWN



AC08 (BOTTOM):
INSTALL THE PSU AC08 TO THE MOUNTING BRACKET MTM1117-5207-CR USING 4 SETS OF M4 CAPTIVE HARDWARE PROVIDED WITH THE PSU AC08



SDX1926Q-43:
INSTALL THE QUAD DIPLEXER SDX1926Q-43 TO TWO BRACKETS MTM1031-1601 USING 4 SETS OF M5 CAPTIVE SEM SCREWS PROVIDED WITH THE DIPLEXER



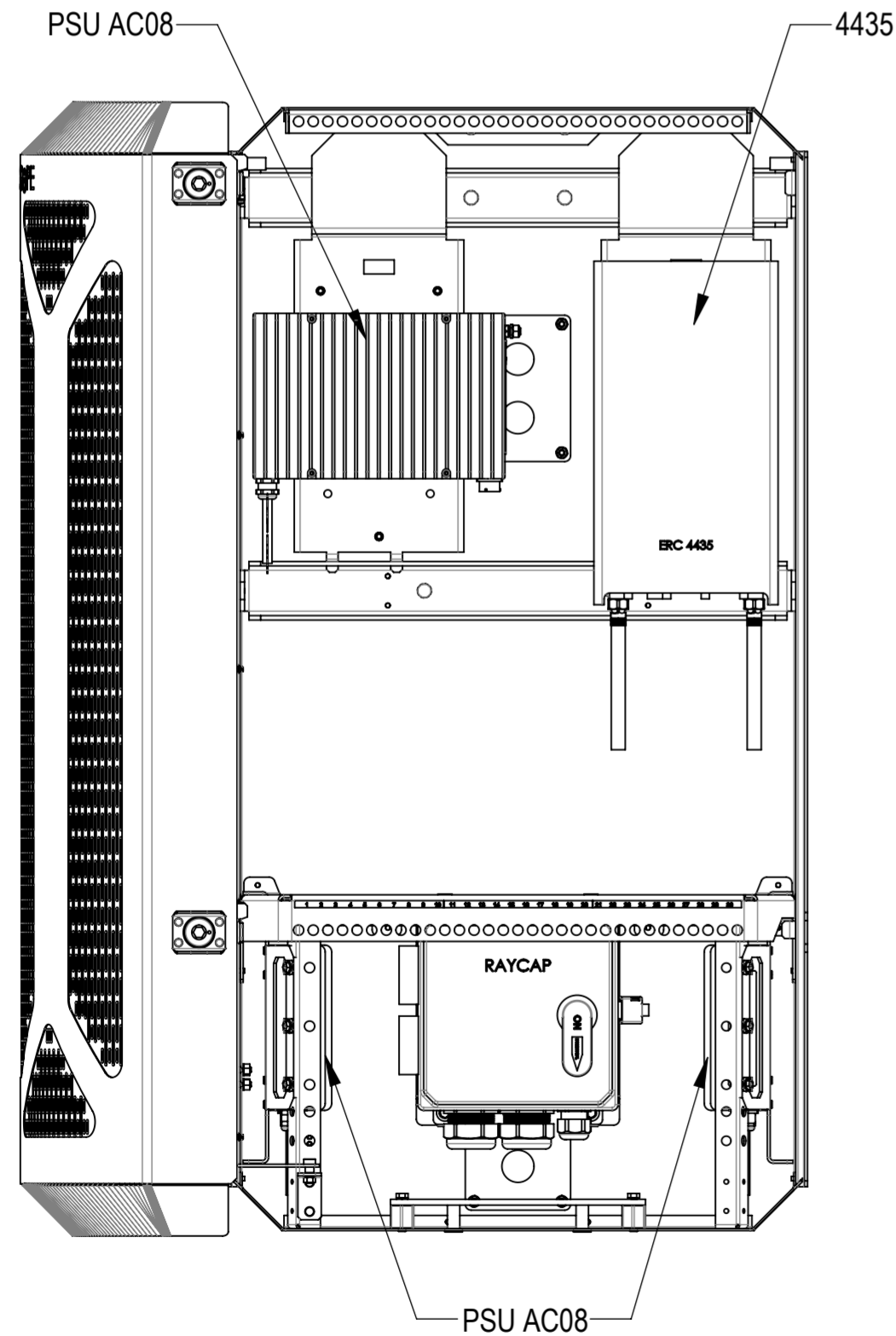
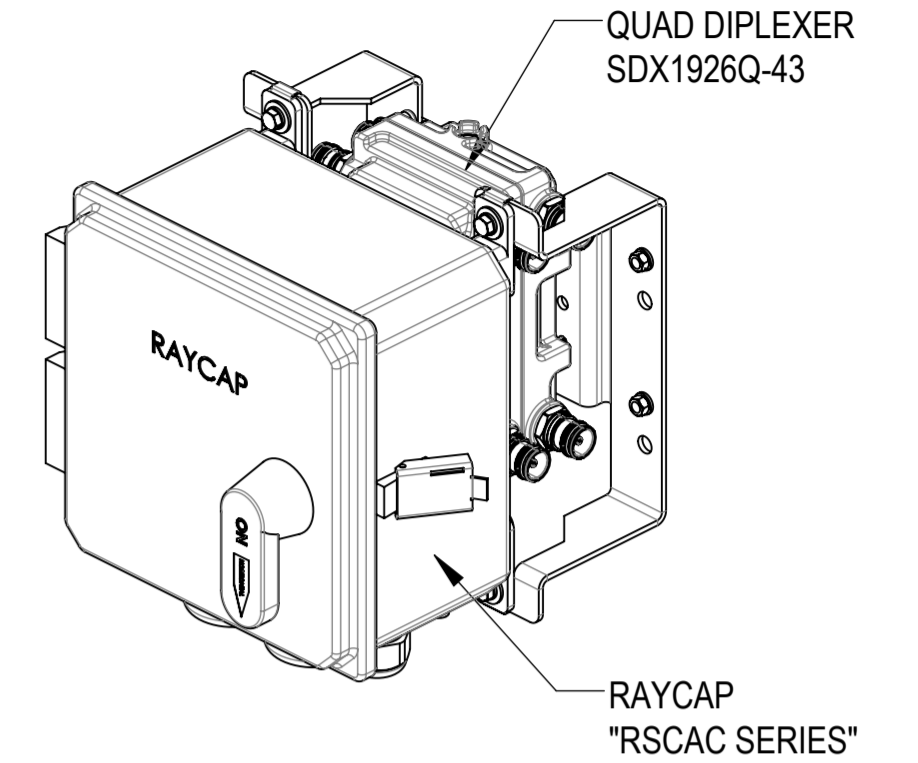
RAYCAP:
INSTALL THE RAYCAP "RSCAC SERIES" TO TWO BRACKETS MTM1117-5800 USING 4 SETS OF M6 SEM SCREWS AND CLIP NUTS

Installation Instructions

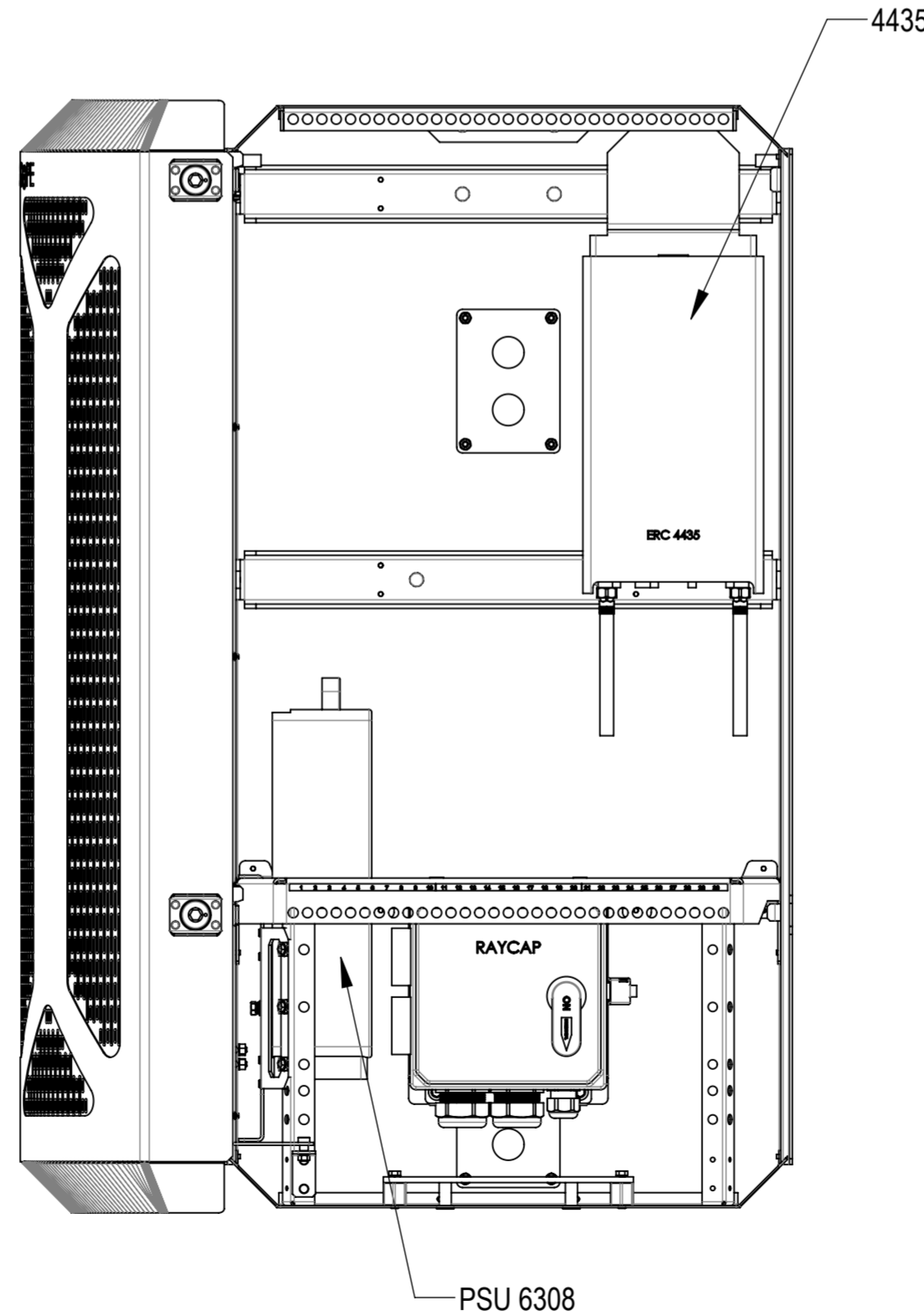


ERICSSON - REAR WALL & LOWER SECTION EQUIPMENT MOUNTING OPTIONS
(PER THE DIFFERENT POWER SUPPLY EQUIPMENTS, THERE ARE DIVIDED INTO THREE BASIC OPTIONS)

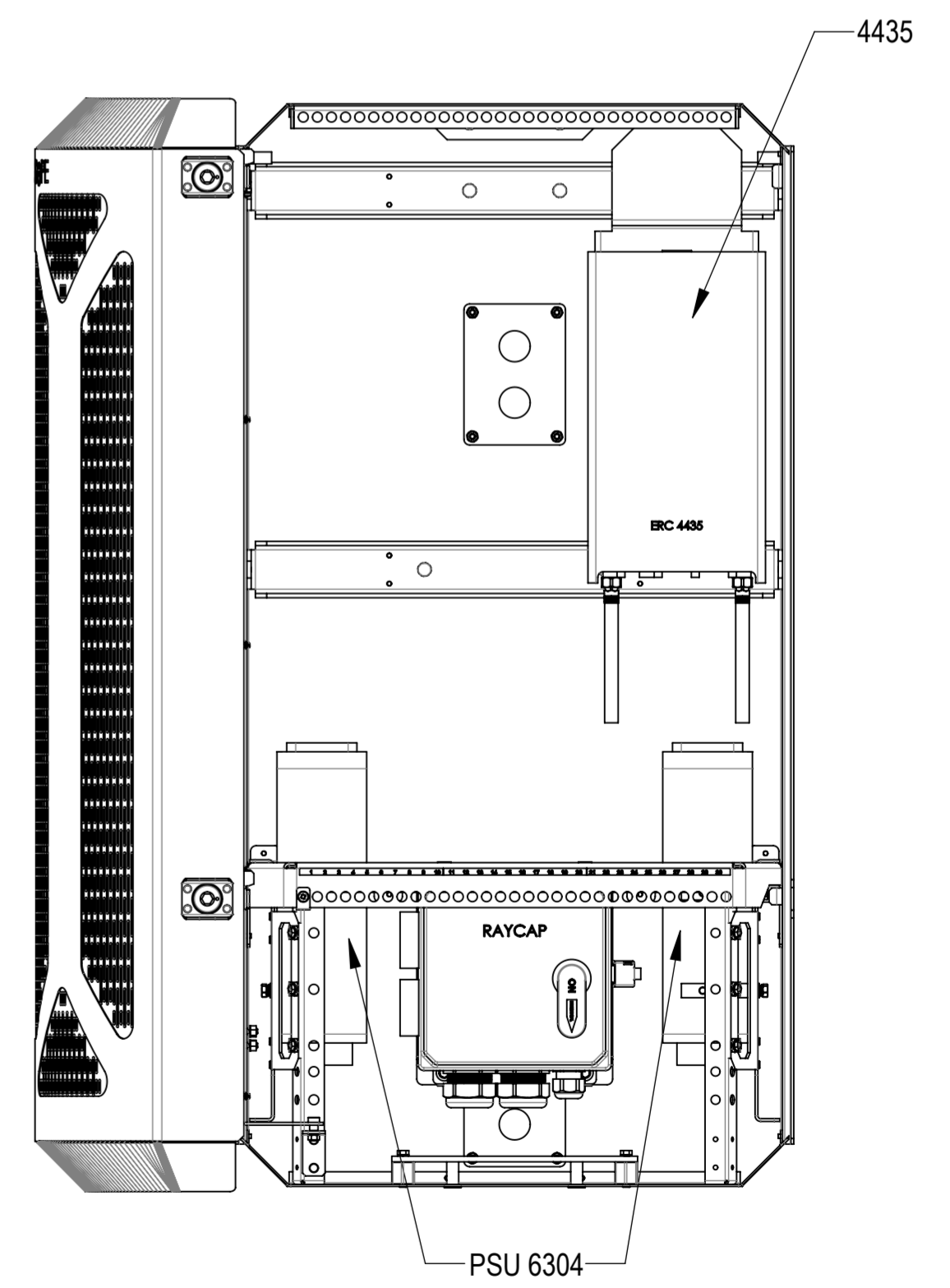
EQUIPMENT		LEFT BACK WALL	RIGHT BACK WALL	LEFT SIDE	CENTER	RIGHT SIDE
OPTION 1	4435		X			
	AC08	X		X		X
OPTION 2	4435		X			
	6308			X		
OPTION 3	4435		X			
	6304			X		X
ALL OPTIONS	QUAD DIPLEXER SDX1926Q-43				X	
	RAYCAP "RSCAC SERIES"				X	



OPTION 1

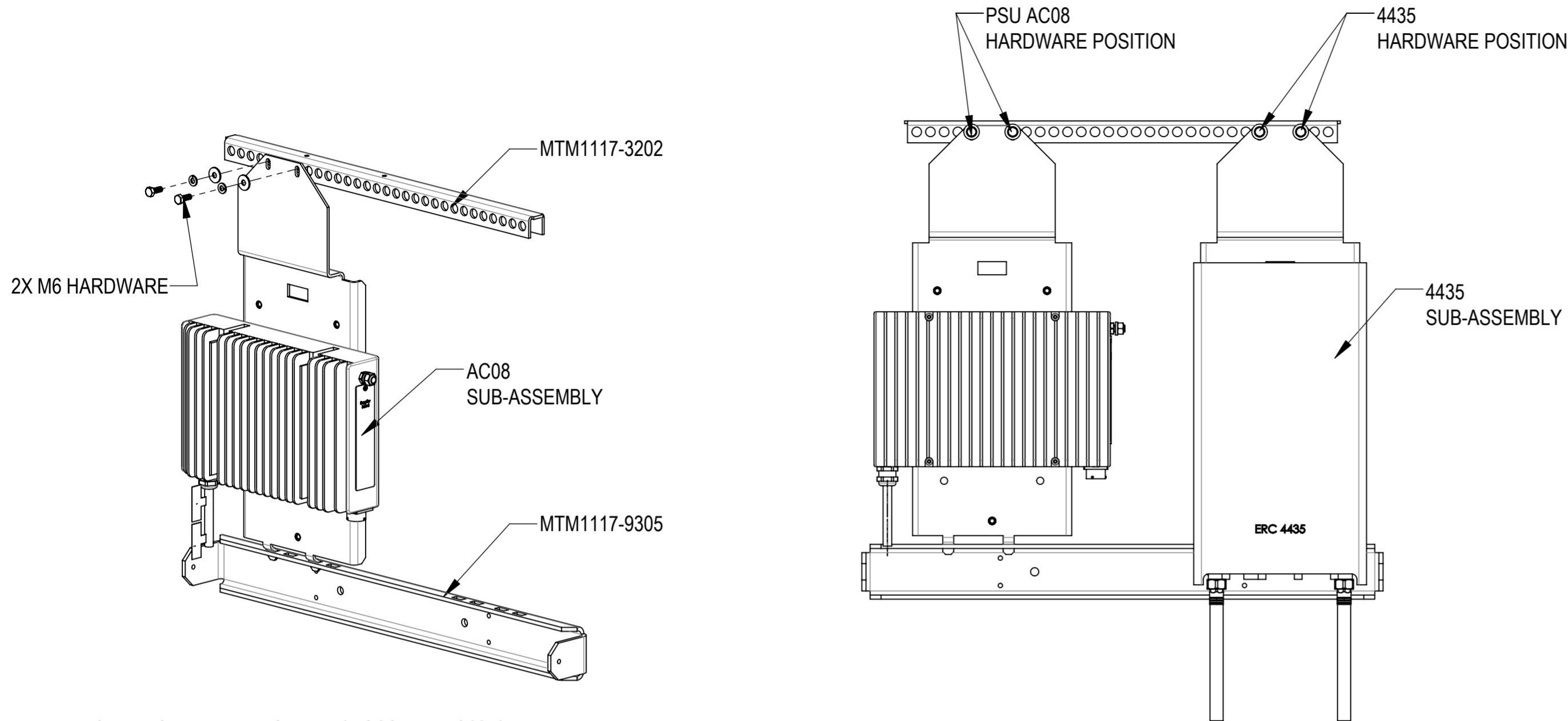


OPTION 2



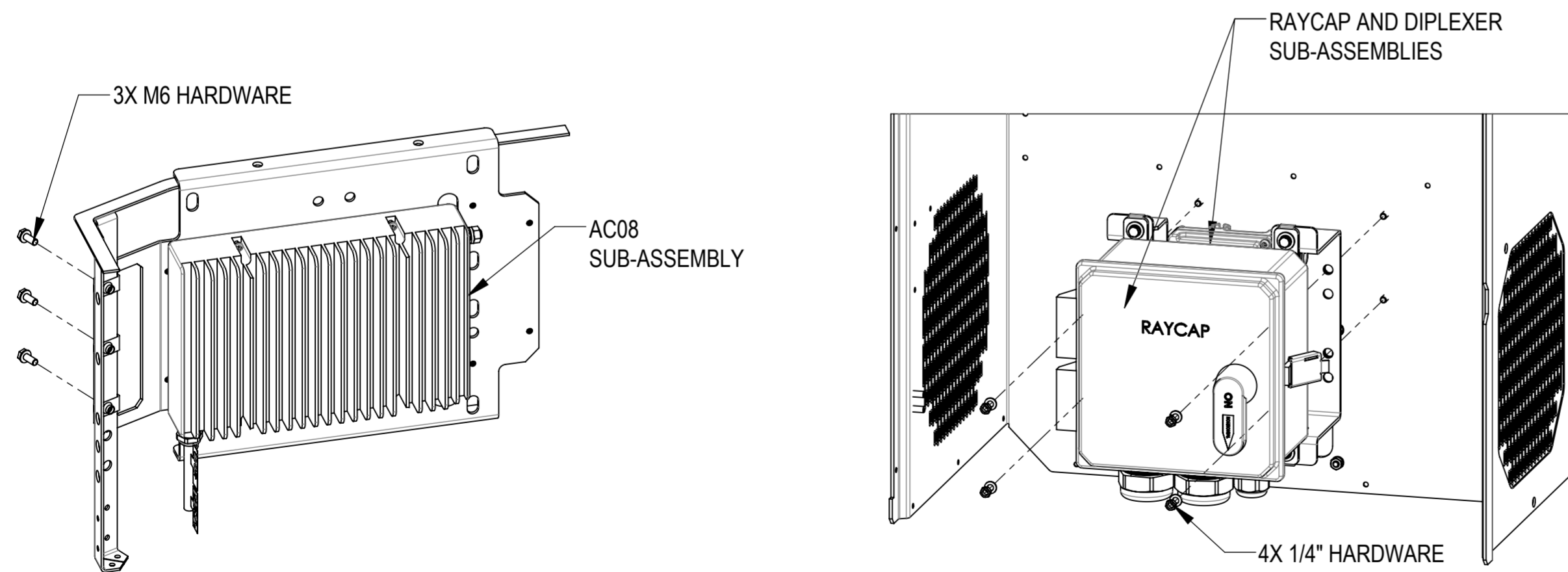
OPTION 3

BASIC OPTION INSTALLATION



TOP BACK WALL INSTALL (AC08 AND 4435):

- 1) INSERT THE PSU AC08 SUB-ASSEMBLY TO THE BRACKET MTM1117-9305 OF THE ENCLOSURE AS SHOWN
- 2) INSTALL THE PSU AC08 SUB-ASSEMBLY TO THE BRACKET MTM1117-3202 OF THE ENCLOSURE USING 2 SETS OF M6 HEX BOLTS, LOCK WASHERS AND FLAT WASHERS
- 3) THE INSTALLATION OF THE 4435 SUB-ASSEMBLY IS THE SAME, INSTALLATION POSITION AS SHOWN

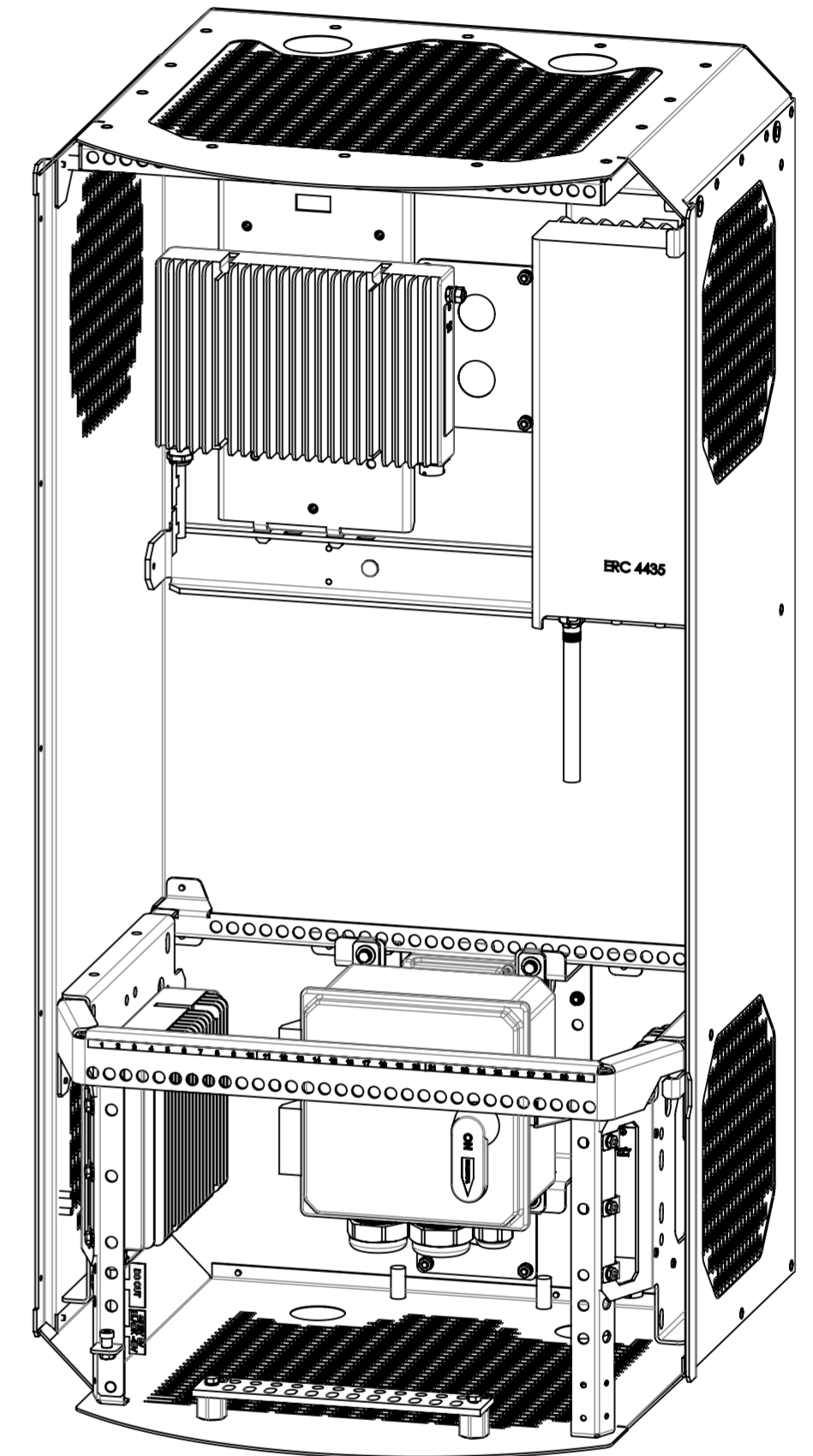


BOTTOM INSTALL (LEFT AC08):

- 1) INSTALL THE LEFT PSU AC08 SUB-ASSEMBLY TO TO THE ENCLOSURE USING 3 SETS OF M6 SCREWS AND CLIP NUTS AS SHOWN
- 2) THE INSTALLATION OF THE RIGHT PSU AC08 SUB-ASSEMBLY IS THE SAME

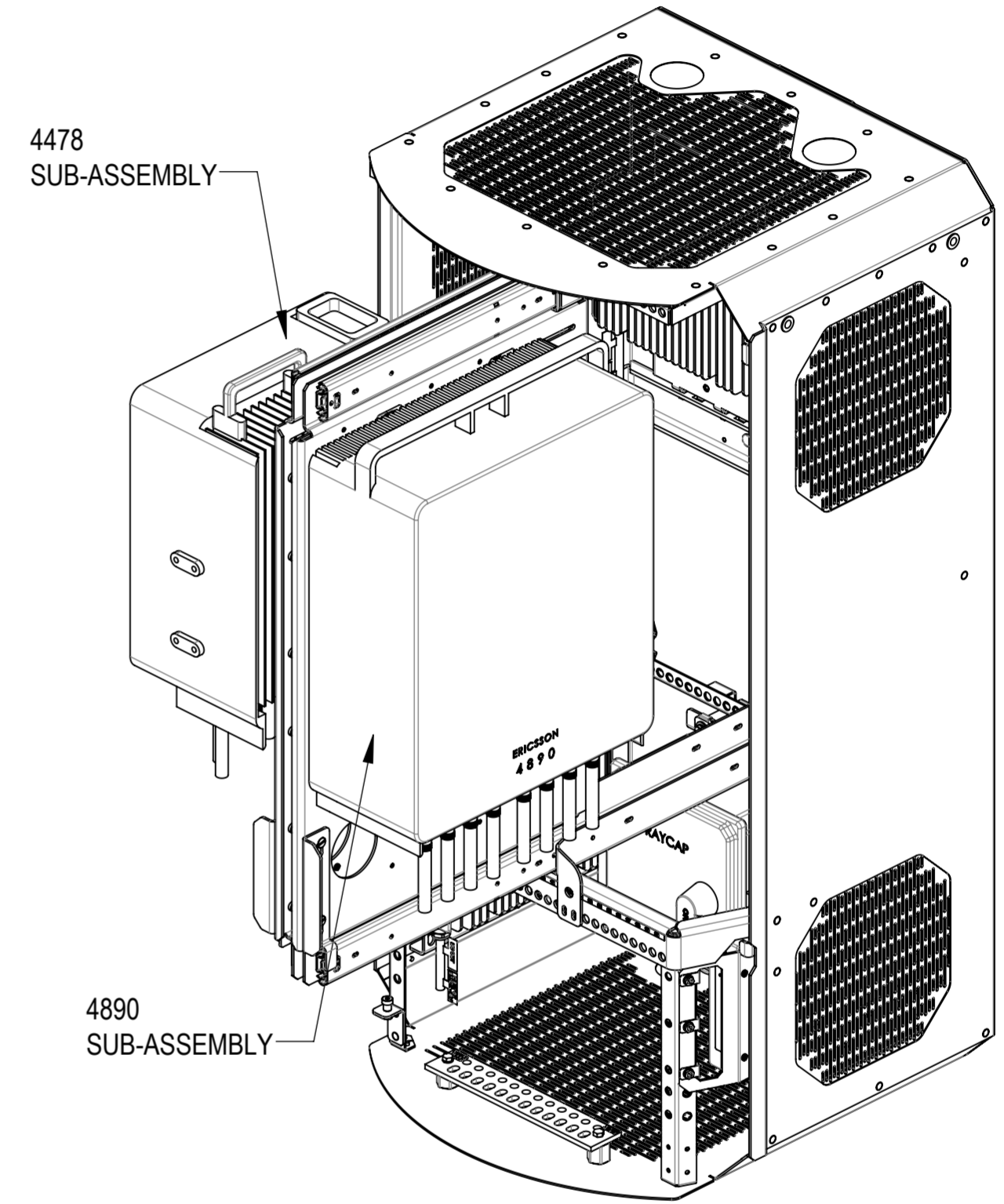
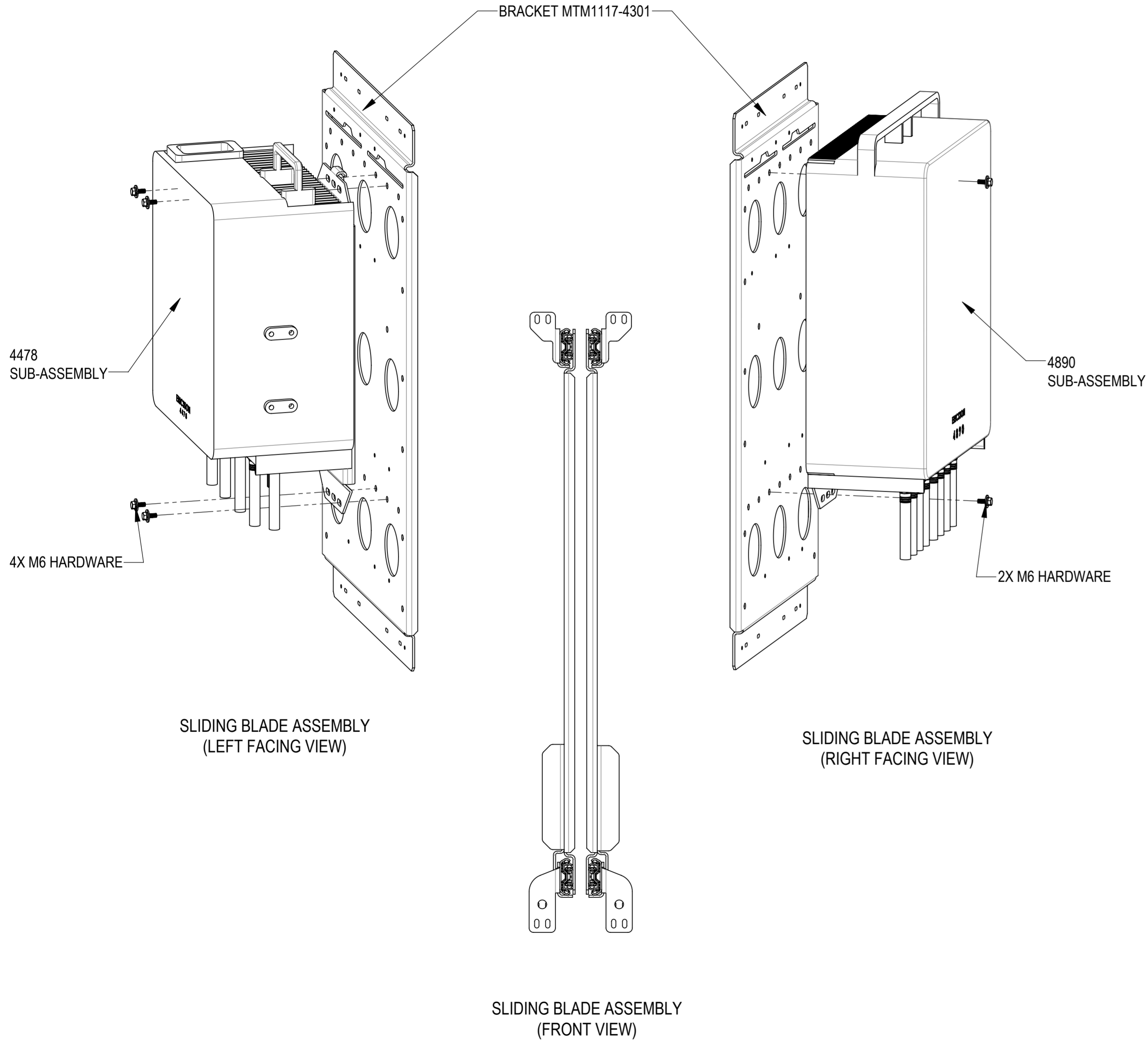
BOTTOM INSTALL (DIPLEXER AND RAYCAP):

- INSTALL THE QUAD DIPLEXER SDX1926Q-43 AND RAYCAP "RSCAC SERIES" SUB-ASSEMBLIES TO TO THE ENCLOSURE USING 4 SETS OF 1/4" HEX NUTS AND LOCK WASHERS AS SHOWN



BASIC OPTION1 (3X AC08) AS EXAMPLE

LEFT AND RIGHT SUB-ASSEMBLIES INSTALLATION



4478 (LEFT) & 4890 (RIGHT):
ONLY SHOWS CONFIGURATION E2, AS EXAMPLE (DOOR NOT SHOWN)
PULL SLIDING BLADE ASSEMBLY TO INSTALL 4478 (LEFT) AND 4890 (RIGHT) SUB-ASSEMBLIES

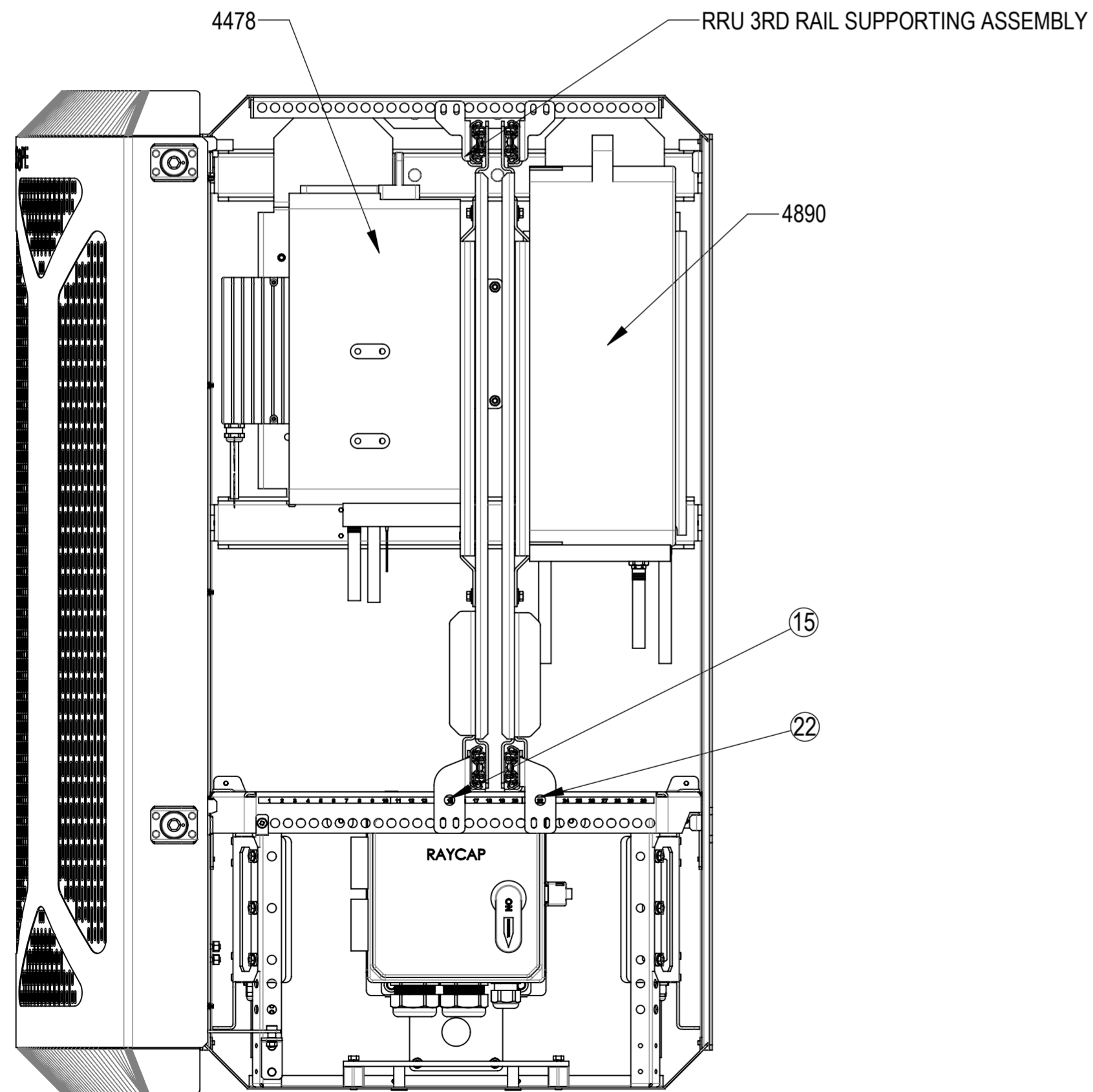
Installation Instructions

COMMScope®

BASE OPTION 1 INCLUDES CONFIGURATION [E1] & [E2]

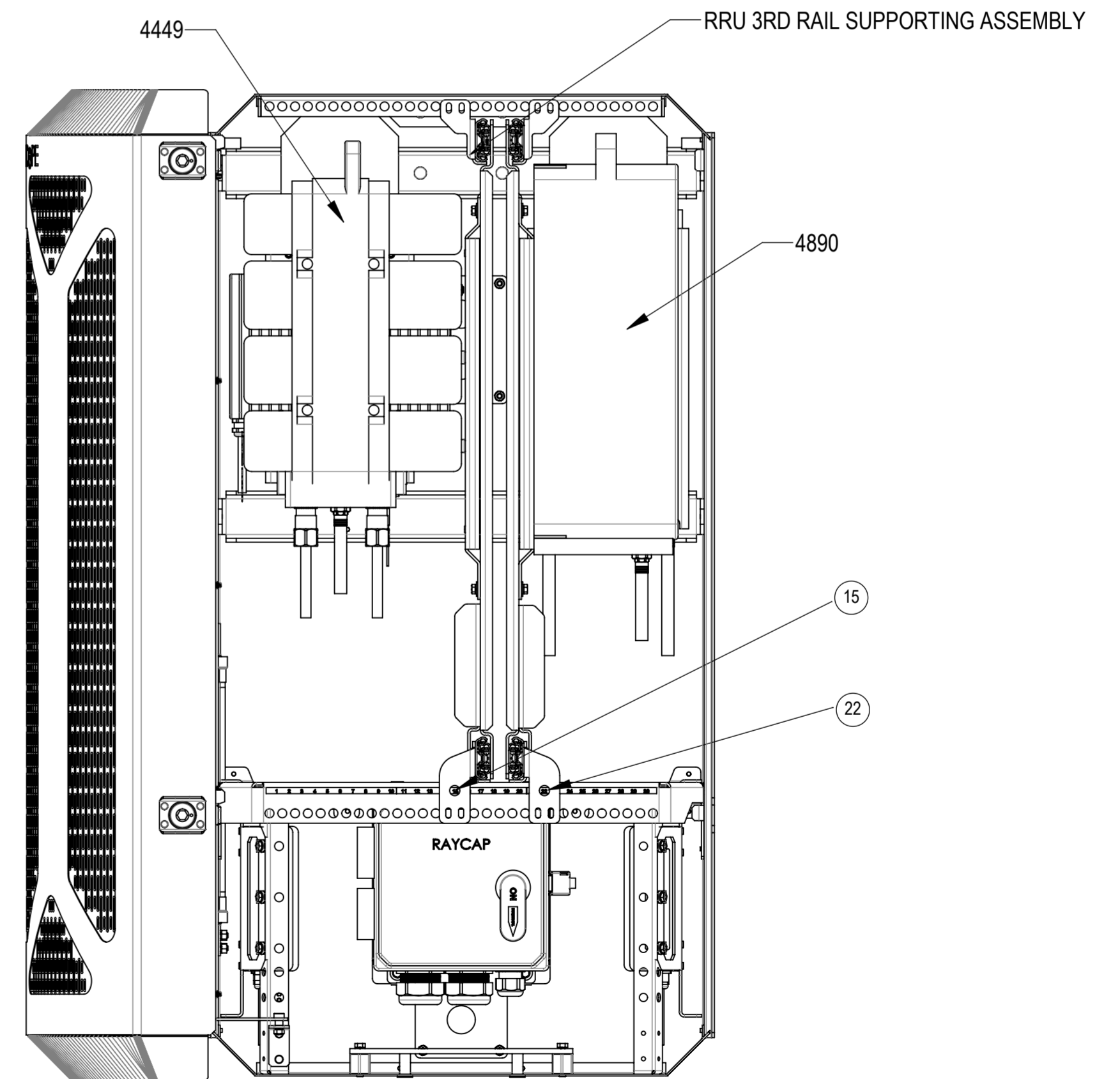
ERICSSON - CONFIGURATION [E1]

EQUIPMENT TOTAL (QTY 8)	QTY	SLIDE PANEL MOUNTING LOCATION	BACK WALL EQUIPMENT	LOWER EQUIPMENT MOUNTING
4478	1	15 - SLIDE MTM1117-4300 (LEFT FACING)		
4890	1	22 - SLIDE MTM1117-4300 (RIGHT FACING)		
4435	1		SEE SHEET 5	
AC08	3		SEE SHEET 5	SEE SHEET 5
QUAD DIPLEXER SDX1926Q-43	1			SEE SHEET 5
RAYCAP "RSCAC SERIES"	1			SEE SHEET 5



ERICSSON - CONFIGURATION [E2]

EQUIPMENT TOTAL (QTY 8)	QTY	SLIDE PANEL MOUNTING LOCATION	BACK WALL EQUIPMENT	LOWER EQUIPMENT MOUNTING
4478	1	15 - SLIDE MTM1117-4300 (LEFT FACING)		
4890	1	22 - SLIDE MTM1117-4300 (RIGHT FACING)		
4435	1		SEE SHEET 5	
AC08	3		SEE SHEET 5	SEE SHEET 5
QUAD DIPLEXER SDX1926Q-43	1			SEE SHEET 5
RAYCAP "RSCAC SERIES"	1			SEE SHEET 5



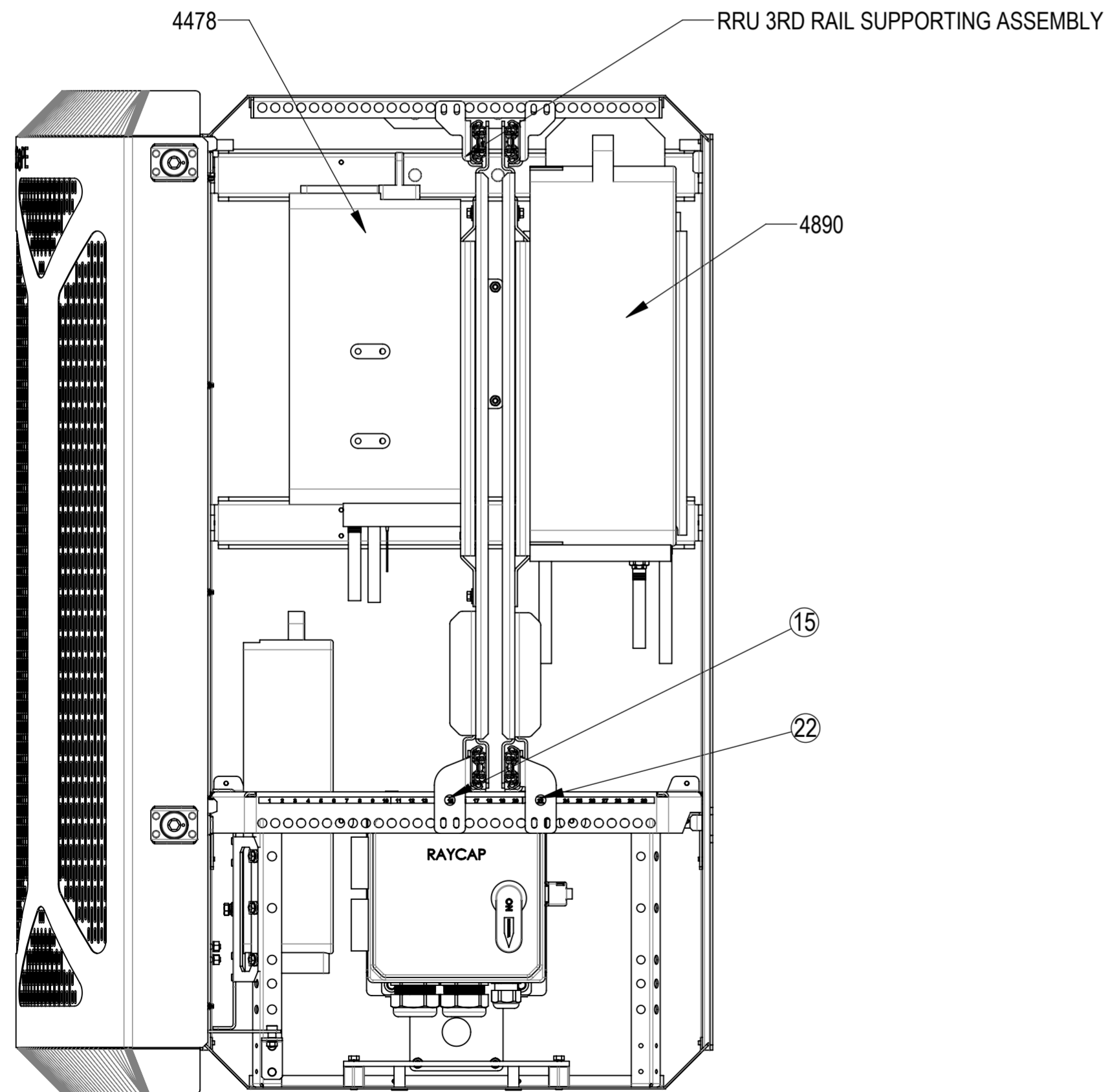
Installation Instructions

COMMScope®

BASE OPTION 2 INCLUDES CONFIGURATION [E3] & [E4]

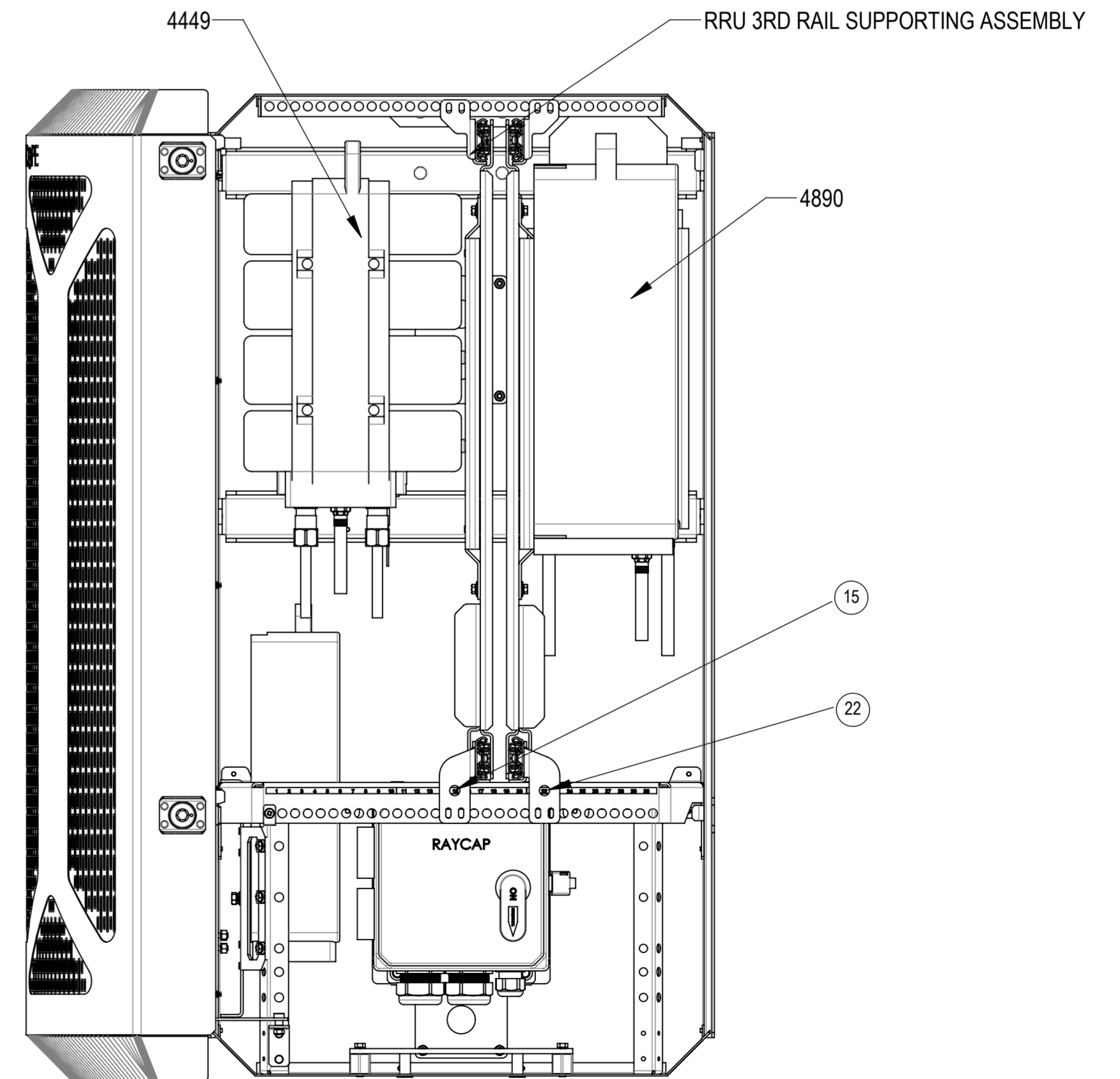
ERICSSON - CONFIGURATION [E3]

EQUIPMENT TOTAL (QTY 6)	QTY	SLIDE PANEL MOUNTING LOCATION	BACK WALL EQUIPMENT	LOWER EQUIPMENT MOUNTING
4478	1	15 - SLIDE MTM1117-4300 (LEFT FACING)		
4890	1	22 - SLIDE MTM1117-4300 (LEFT FACING)		
4435	1		SEE SHEET 5	
6308	1		SEE SHEET 5	
QUAD DIPLEXER SDX1926Q-43	1			SEE SHEET 5
RAYCAP ""RSCAC SERIES""	1			SEE SHEET 5



ERICSSON - CONFIGURATION [E4]

EQUIPMENT TOTAL (QTY 6)	QTY	SLIDE PANEL MOUNTING LOCATION	BACK WALL EQUIPMENT	LOWER EQUIPMENT MOUNTING
4449	1	15 - SLIDE MTM1117-4300 (LEFT FACING)		
4890	1	22 - SLIDE MTM1117-4300 (LEFT FACING)		
4435	1		SEE SHEET 5	
6308	1		SEE SHEET 5	
QUAD DIPLEXER SDX1926Q-43	1			SEE SHEET 5
RAYCAP ""RSCAC SERIES""	1			SEE SHEET 5



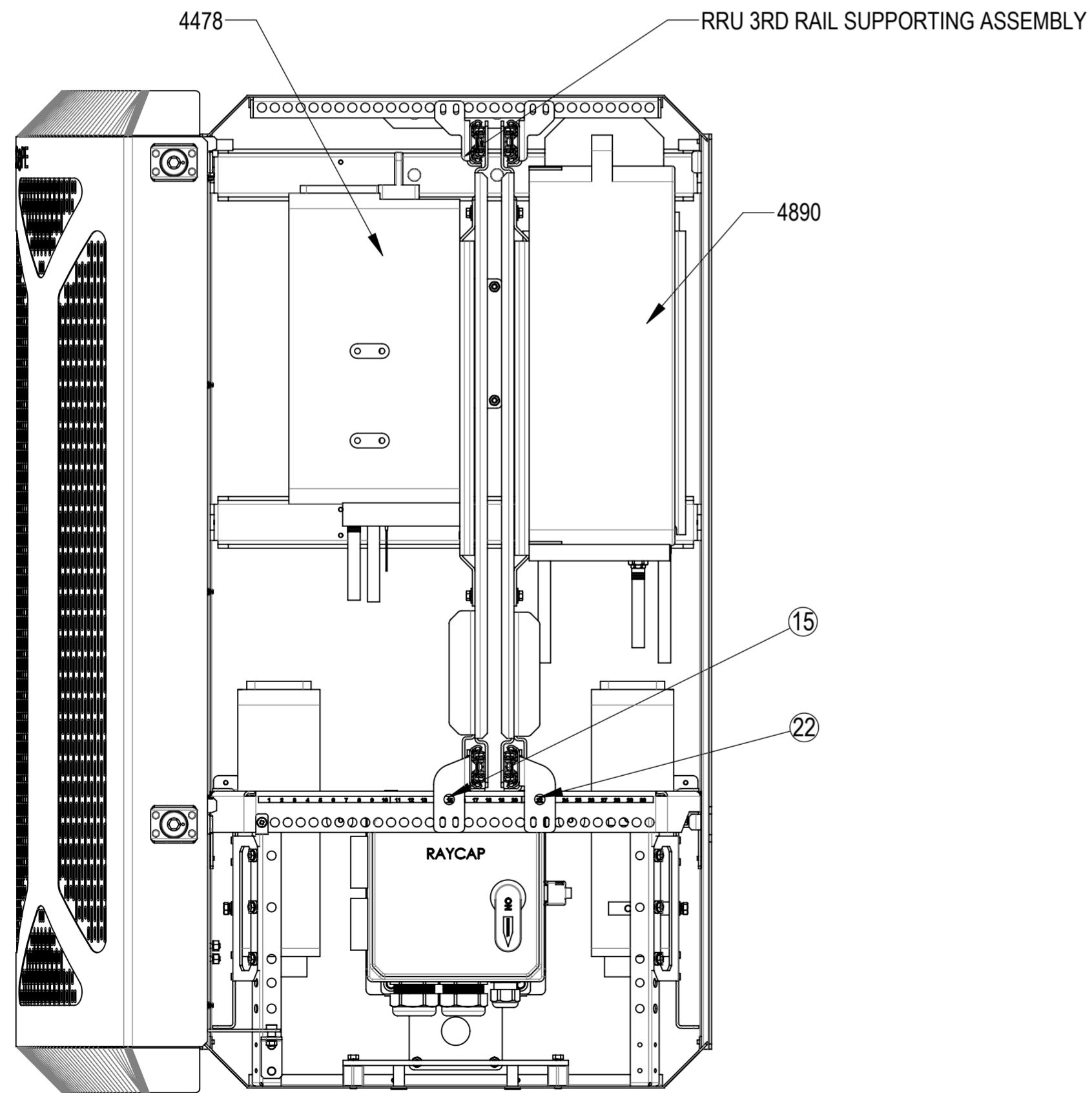
Installation Instructions

COMMSCOPE®

BASE OPTION 3 INCLUDES CONFIGURATION [E5] & [E6]

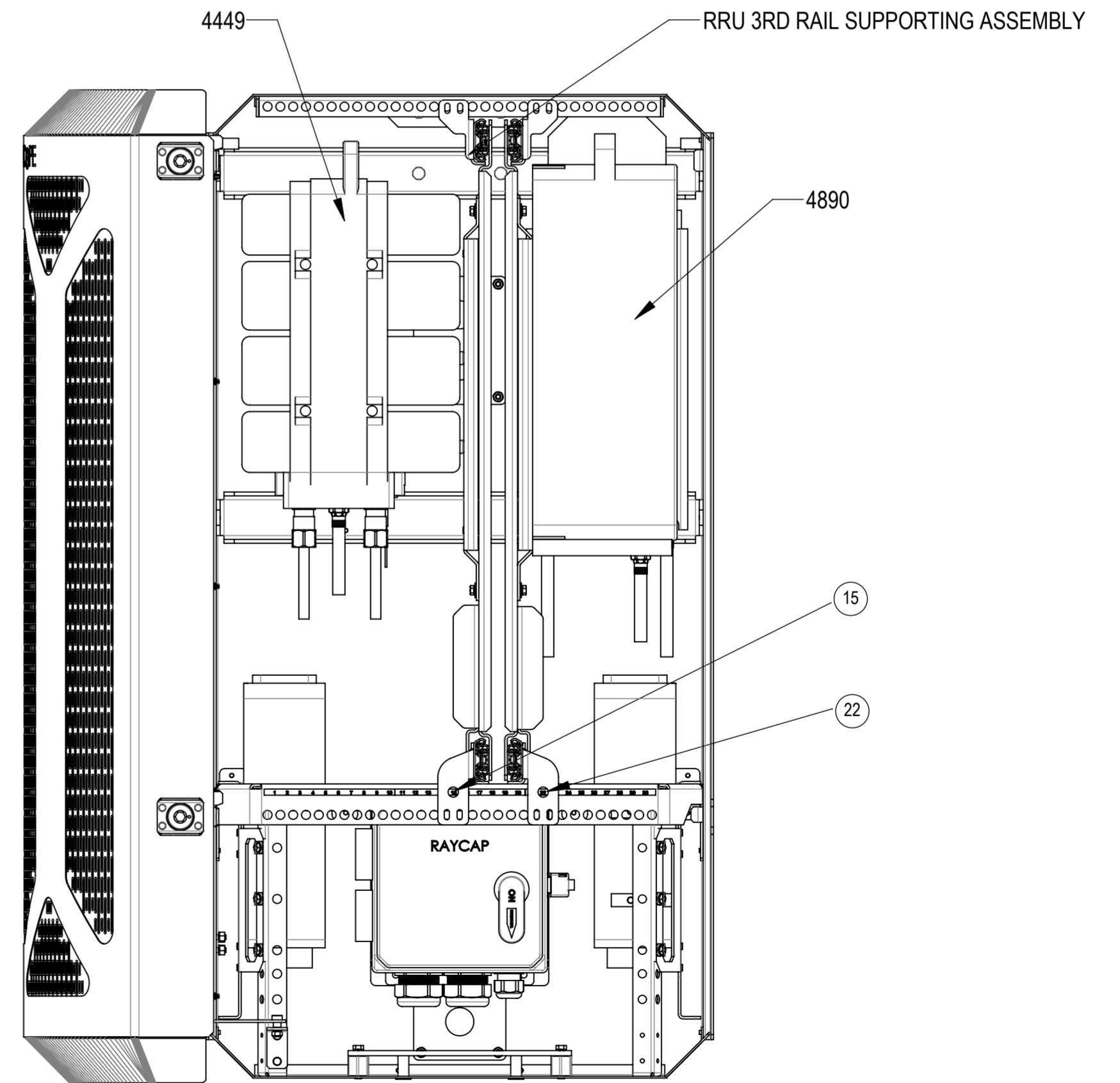
ERICSSON - CONFIGURATION [E5]

EQUIPMENT TOTAL (QTY 7)	QTY	SLIDE PANEL MOUNTING LOCATION	BACK WALL EQUIPMENT	LOWER EQUIPMENT MOUNTING
4478	1	15 - SLIDE MTM1117-4300 (LEFT FACING)		
4890	1	22 - SLIDE MTM1117-4300 (LEFT FACING)		
4435	1		SEE SHEET 5	
6304	2		SEE SHEET 5	
QUAD DIPLEXER SDX1926Q-43	1			SEE SHEET 5
RAYCAP ""RSCAC SERIES""	1			SEE SHEET 5

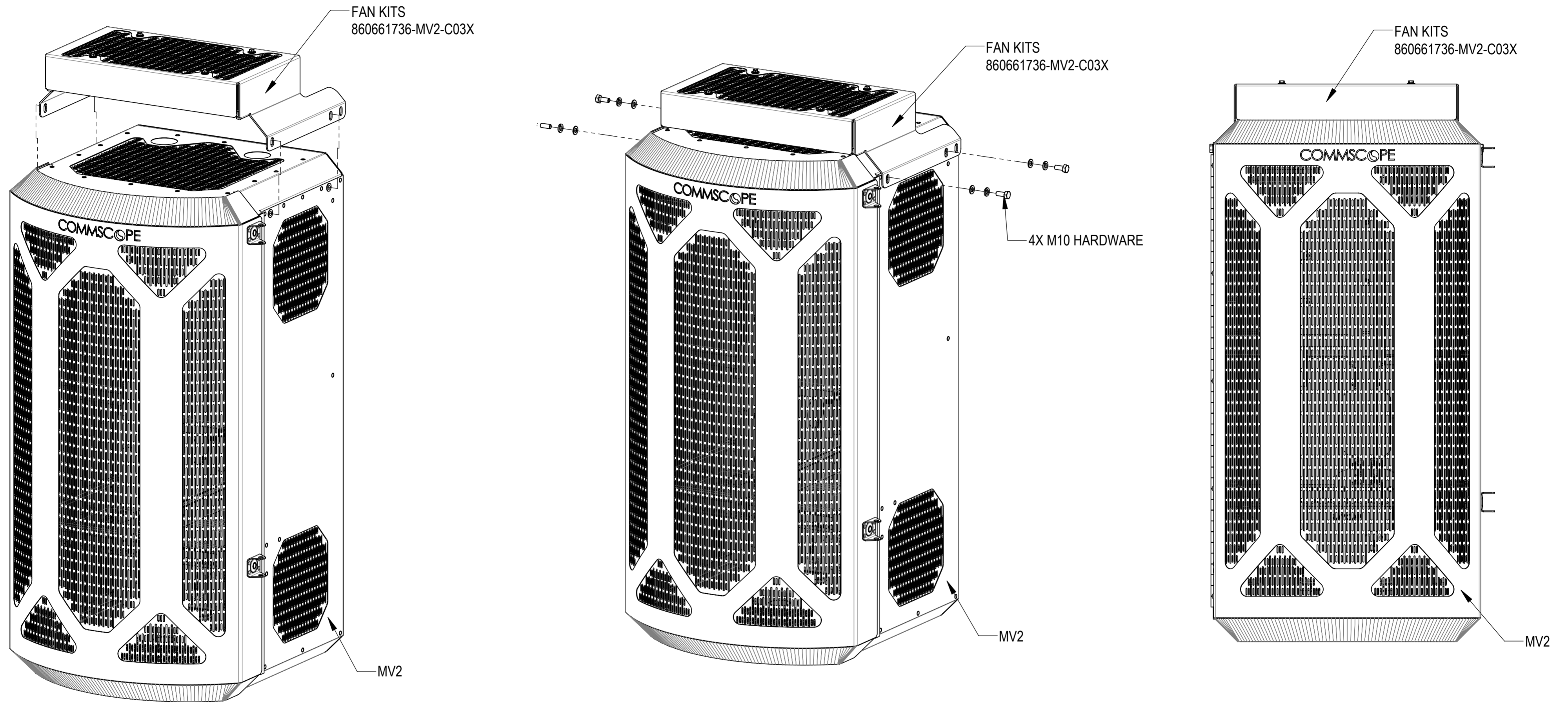


ERICSSON - CONFIGURATION [E6]

EQUIPMENT TOTAL (QTY 7)	QTY	SLIDE PANEL MOUNTING LOCATION	BACK WALL EQUIPMENT	LOWER EQUIPMENT MOUNTING
4449	1	15 - SLIDE MTM1117-4300 (LEFT FACING)		
4890	1	22 - SLIDE MTM1117-4300 (LEFT FACING)		
4435	1		SEE SHEET 5	
6304	2		SEE SHEET 5	
QUAD DIPLEXER SDX1926Q-43	1			SEE SHEET 5
RAYCAP ""RSCAC SERIES""	1			SEE SHEET 5



FAN KITS INSTALLATION



STEP 1:
THE FOUR HOLES ON THE FAN KITS 860661736-MV2-C03X CONSISTENT WITH CENTRAL AXIS OF THE HOLES ON THE ENCLOSURE

STEP 2:
INSTALL THE FAN KITS 860661736-MV2-C03X TO THE ENCLOSURE USING 4 SETS OF M10 HEX BOLTS, LOCK WASHERS AND FLAT WASHERS PROVIDED WITH FAN KITS (SEE 860661736-MV2-C03-INSTALL FOR DETAILED INSTALLATION INSTRUCTIONS)

FINISHED PRODUCT