

Outdoor Wall-mounted Small Box

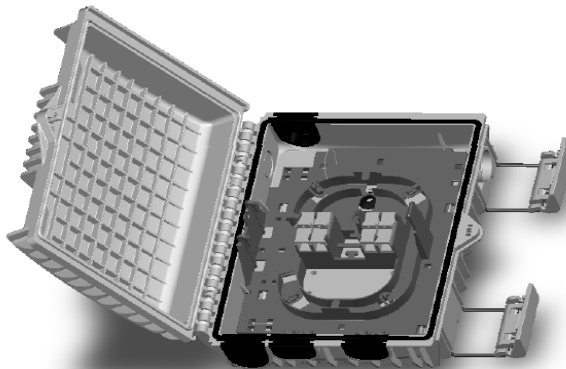
Contents

- 1. Introduction**
- 2. Kit content**
- 3. Installation Instruction**
 - 3.1 Box installation**
 - 3.2 Conduit installation**
 - 3.3 Cable installation**
 - 3.4 Fibre splicing**
 - 3.5 Closing the box**

1. Introduction

The OWB-S is a small wall-mountable fibre termination box, providing an environmental and mechanical protection for the fibre management system that includes the functions of storage, splicing, patching and passive component integration.

The product is designed for typically use on a wall location, but can also be used in other outdoors above-ground applications.



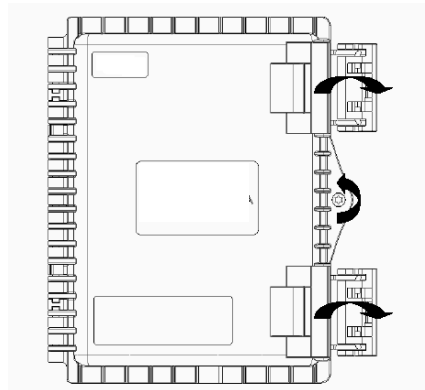
2. Kit content

- Box with security screw & latch
- Organiser tray
- Splicing tray (optional)
- Round rubber sealing for knock out port
- Gel half-sealing for cut out port (optional)
- Expansion screws or pole mounting option
- Adaptor, splicing protector or splitter (optional)
- Foam strip & tie-wraps

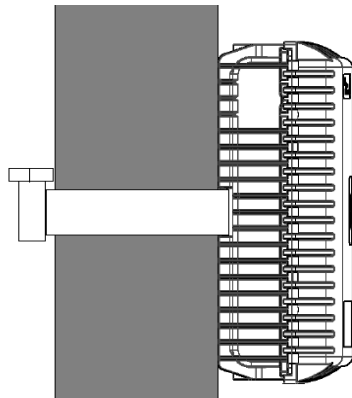
3. Installation Instruction

3.1 Box installation

- 3.1.1 Release the security screw & latch to open the box.



- 3.1.2 For pole mounted
Pull the mounting belt through the back side and tighten the screw.



3.1.3 For wall mounted

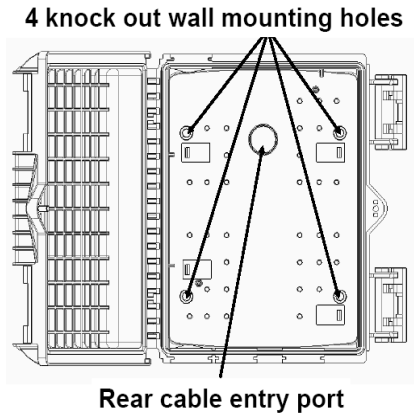
Push sideward the hook and take off the organiser tray.

Knock out 4 fixation holes and fix the box on wall by expansion screws.

Put the organiser tray back.

Note: The fixation map on page 7 can be used for expansion preparation.

Knock out the rear cable port and put the sealing on if cable comes from rear.



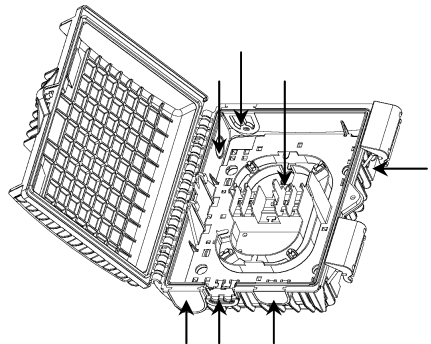
3.2 Conduit installation

3.2.1 For situations when cable is fed by conduit, if the installation is not in a termite state and is above the pit install with minimum to zero gap. If the installation is in a termite state 20mm gap for visibility of pests. If the box is level with or below the pit water level then the gap for water flow needs to be 20mm.

3.3 Cable installation

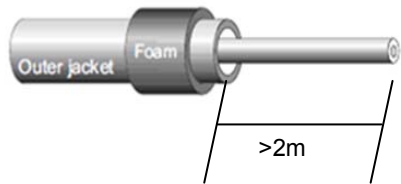
3.3.1 There are cable entry ports on the rear, sides, top & bottom of the box.

Note: The bottom ports are preferred to use for cable entry.



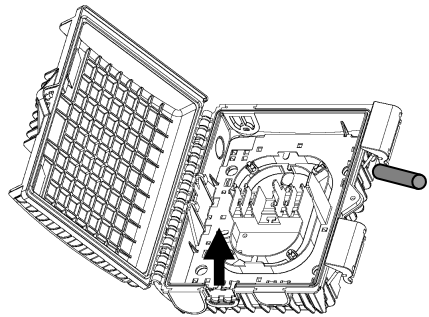
3.3.2 Remove the required amount of outer sheath from the cable according to manufactures recommended procedures.

Note: For splicing application, ensure a minimum 2m length of cable is stripped from the fixation point before fixation.



3.3.3 Lift the rubber seal of the box. Cut and place the bottom half of sealing accessory in the underside of the rubber to the centre of port seal, hook outwards.

Note: If there is no connector on the cable end, the cable can enter the box directly through the rubber seal.

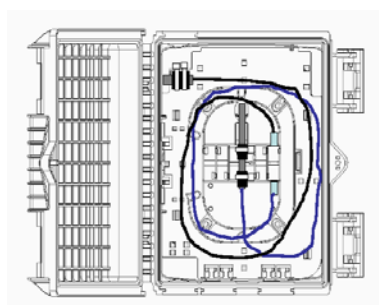
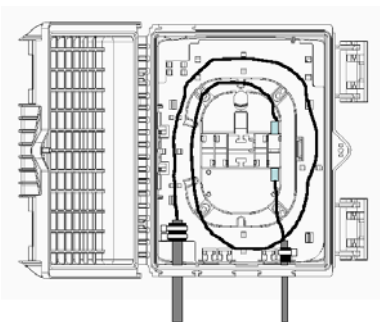


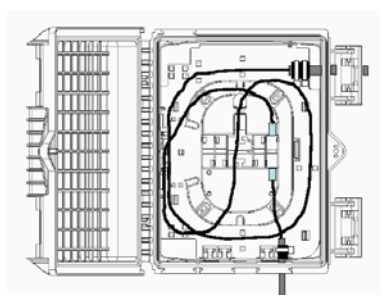
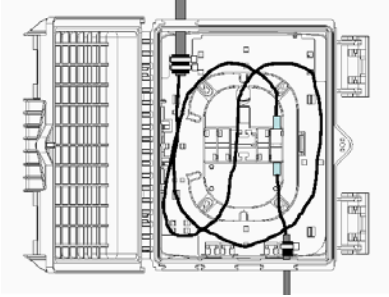
Knock out the side cable port and put the sealing on if needed.

The cable from right side should pull through the latch.

3.3.4 Fix the cable into the box using foam and cable ties and store as per local procedures. Refer to below drawings for cable routing from different entrance positions.

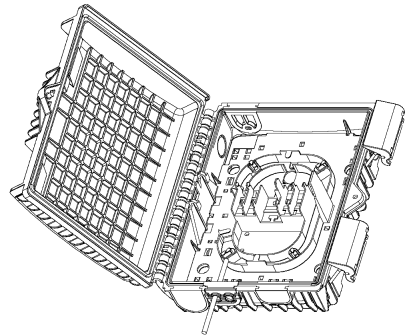
Note: For main cable, raise the cable by a wedge in the box if needed.





- 3.3.5 For splicing application, route the cable to the splicing tray.
For no splicing application, plug the connector to adaptor directly.

- 3.3.6 Push upper half of sealing accessory back over the cable, hook inwards ensuring that it is correctly seated.



- 3.3.7 Install the other cables same as above.

3.4 Fibre splicing

Follow local safety regulations to splice fibre on the splicing tray.

3.5 Closing the box

- 3.5.1 Push the splicing tray back (if installed) and ensure it is latched close.
- 3.5.2 Close the box by closing the latches and tighten the security screw.

CommScope (logo) is a trademark of the CommScope group of companies and its licensors.

Users should rely on their own judgment to evaluate the suitability of a product for a certain purpose and test each product for its intended application. CommScope only obligations are those stated in CommScope Standard Terms and Conditions of Sale. CommScope expressly disclaims any implied warranty regarding the information contained herein, including, but not limited to, the implied warranties of merchantability or fitness for a particular purpose.

To obtain information on CommScope® products, visit our website at <http://www.commscope.com/SupportCenter/TechnicalSupport.aspx>

© 2017 CommScope, Inc.
All rights reserved

This product is covered by one or more U.S. patents or their foreign equivalents. For patents, see www.commscope.com/ProductPatent/ProductPatent.aspx

Fixation map (scale 1:1)

