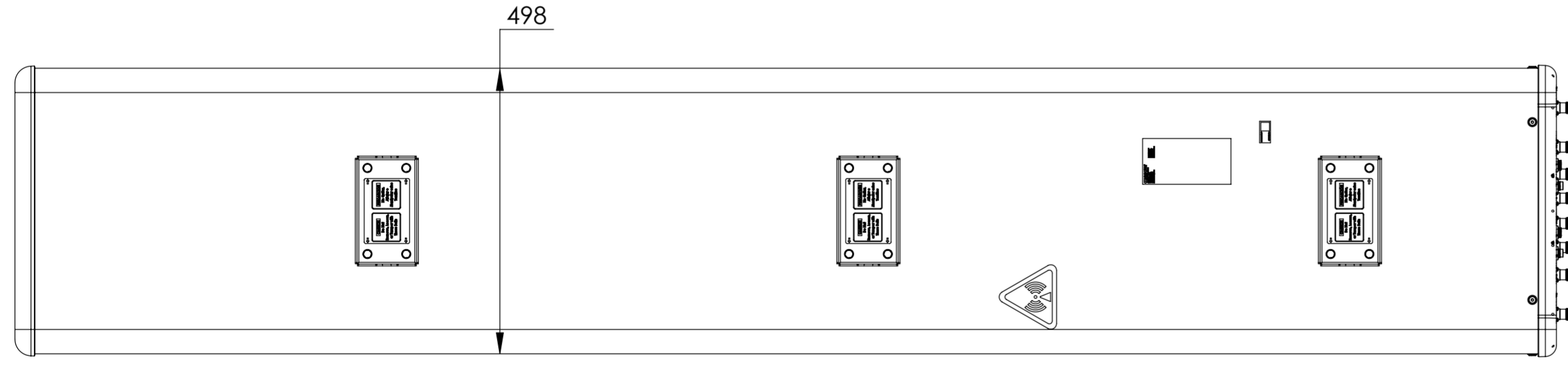
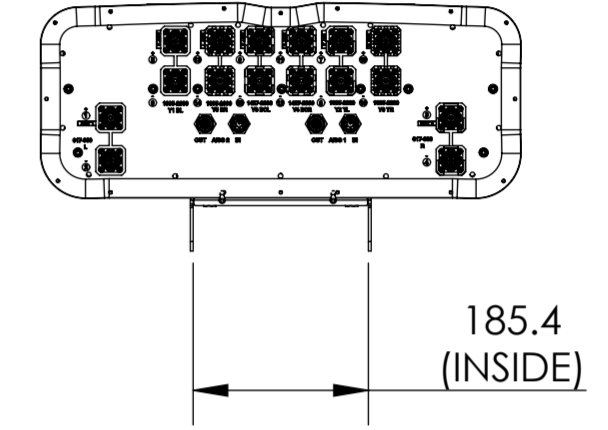
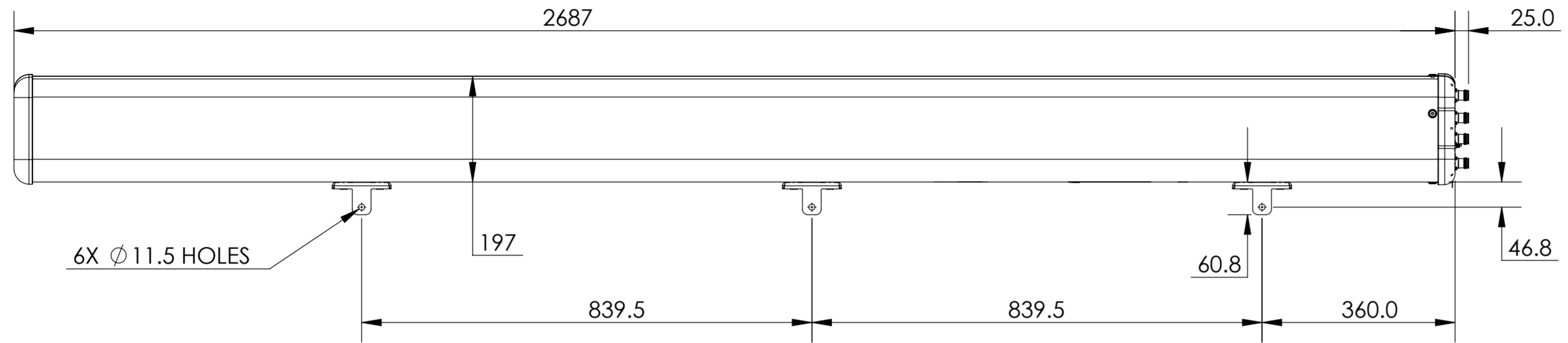


|          |
|----------|
| REVISION |
| E        |



KKZZV4-65D-R8